

1500-IJ INK JET FEEDER

Parts Manual



SURE-FEED ENGINEERING

12050 49th STREET NORTH - CLEARWATER, FL. 33762-4301
PHONE: 727.571.3330 - FAX: 727.571.3443 - TOLL FREE: 1.800.INSERTER
web: sure-feed.com

VERSION HISTORY

The table below summarizes the history of this document as it is published onto the company website(s). It identifies the version, date of issue and revisions and changes.

VERSION	DATE	CHANGES
1500-IJ_PARTS_REV0	8-17-08	ORIGINAL RELEASE

REVISION CONVENTIONS-DOCUMENT

VERSION: name of document with revision_level of entire document- level designates minor changes that do not require revision change

DATE: date of issue for copying and publication of document.

CHANGES: details of document revision_level.

REVISION CONVENTIONS-PAGES

DRAWING NO./REVISION: references actual engineering drawing revision used in this document. **NOTE:** item no. in this document BOM corresponds with item no. of referenced engineering drawing.

i.e. BOM title containing (18020-366rA) refers to drawing number (18020-366) and drawing revision (rA, B, ZZZ)

BOM:

Item number revision- signifies new addition to drawing

P/N revision- signifies part number change due to obsolescence, unavailability and/or major change of part

Qty revision- self-explanatory

Description revision- signifies change in part name

DRAWING:

Figure number / revision- signifies the corresponding BOM in this document. Different revision figures are retained due to manufacturing changes made over time.

1500-IJ FEEDER

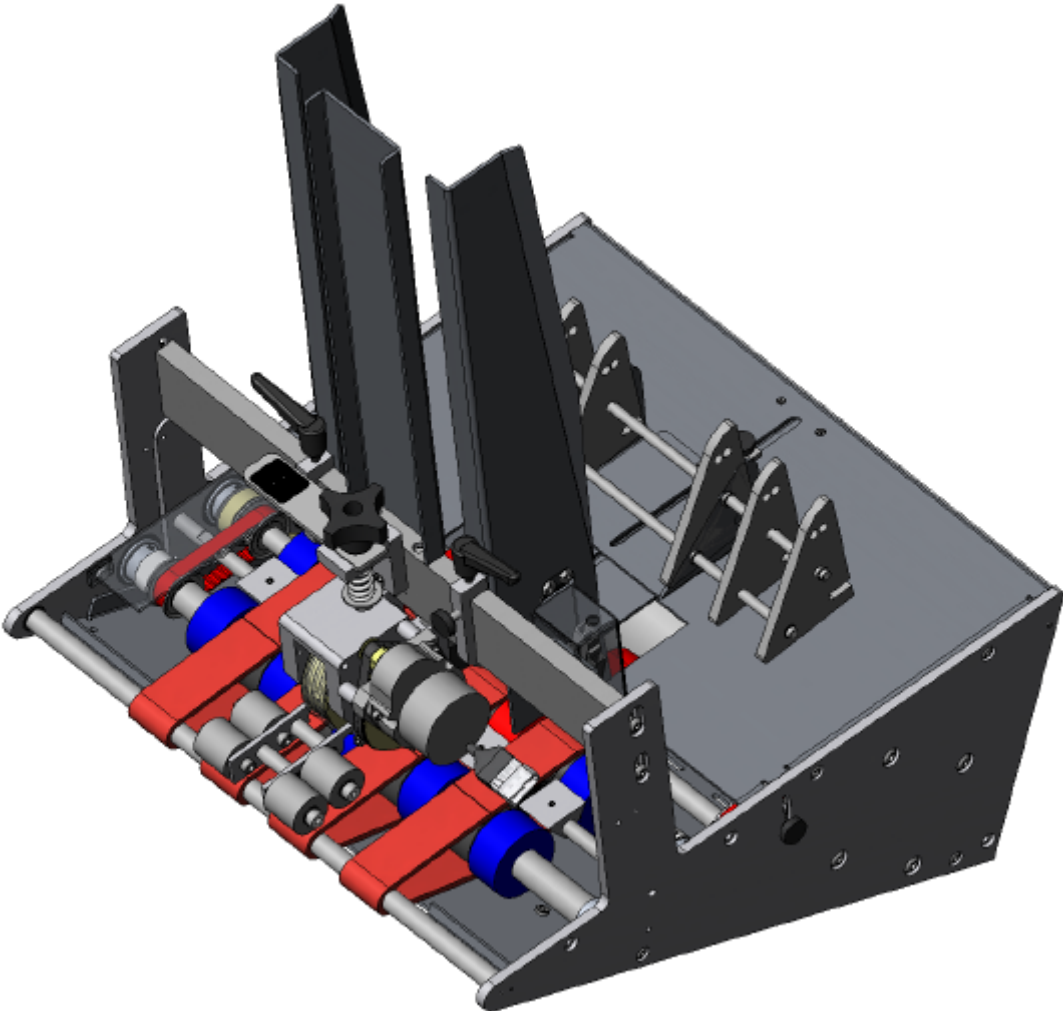


TABLE OF CONTENTS

1500-IJ FEEDER

<u>FEEDER ASSEMBLY (FIG. 1)</u>	4-5
<u>CHASSIS (FIG. 2)</u>	6-7
<u>SINGLE SEPARATOR W/O SHROUD (FIG. 3)</u>	8-10
<u>TRAILING ARM (FIG. 4)</u>	11
<u>FRONT SHAFT (FIG. 5)</u>	12
<u>NIP ROLLER SHAFT (FIG. 6)</u>	13
<u>CROWN SHAFT (FIG. 7)</u>	14
<u>IDLER SHAFT (FIG. 8)</u>	15
<u>ELEVATOR SHAFT (FIG. 9)</u>	16
<u>JACK SHAFT (FIG. 10)</u>	17
<u>MOTOR (FIG. 11)</u>	18
<u>SIDE GUIDES (FIG. 12)</u>	19-20
<u>PAPER SLIDE (FIG. 13)</u>	21
<u>BACK PANEL GMS IJ (FIG. 14)</u>	22
<u>FEEDER HARNESS (FIG. 14A)</u>	22

1500 IJ FEEDER ASSEMBLY (Fig. 1)
10022-040r0

ITEM	PART NO.	QTY.	DESCRIPTION
1	SEE FIG. 2	1	ASSEMBLY, CHASSIS (10020-503)
2	SEE FIG. 3	1	ASSY, 24V SEPARATOR (10020-510)
3	SEE FIG. 4	1	ASSEMBLY, TRAILING ARM SGL SEP(10020-496)
4	SEE FIG. 5	1	ASSEMBLY, FRONT SHAFT (10020-282)
5	SEE FIG. 6	1	ASSEMBLY, NIP ROLLER SHAFT (10020-498)
6	SEE FIG. 7	1	ASSEMBLY, CROWN SHAFT (10020-500)
7	SEE FIG. 8	1	ASSEMBLY, IDLER SHAFT (10020-499)
8	SEE FIG. 9	1	ASSEMBLY, ELEVATOR SHAFT (10020-502)
9	SEE FIG. 10	1	ASSEMBLY, JACK SHAFT (10020-501)
10	SEE FIG. 11	1	ASSEMBLY, MOTOR (10020-504)
11	SEE FIG. 12	1	ASSEMBLY, SIDE GUIDES (10020-497)
12	SEE FIG. 13	1	ASSEMBLY, PAPER SLIDE (10020-058)
13	99000-003	1	BELT, TIMNG, 120XL037
14	99000-040	1	BELT, TIMING, 80XL037
15	99000-320	1	BELT, TIMING, 98XL037
16	99000-004	4	BELT, RED GUM
17	99000-005	2	BELT, ELEVATOR (RED)
18	SEE FIG. 14	REF	ASSEMBLY, BACK PANEL 1500 IJ FEEDER (10018-135)
N/S	SEE FIG. 14A	1	ASSEMBLY, 1500-IJ FEEDER HARNESS (10018-142)

See next page for details

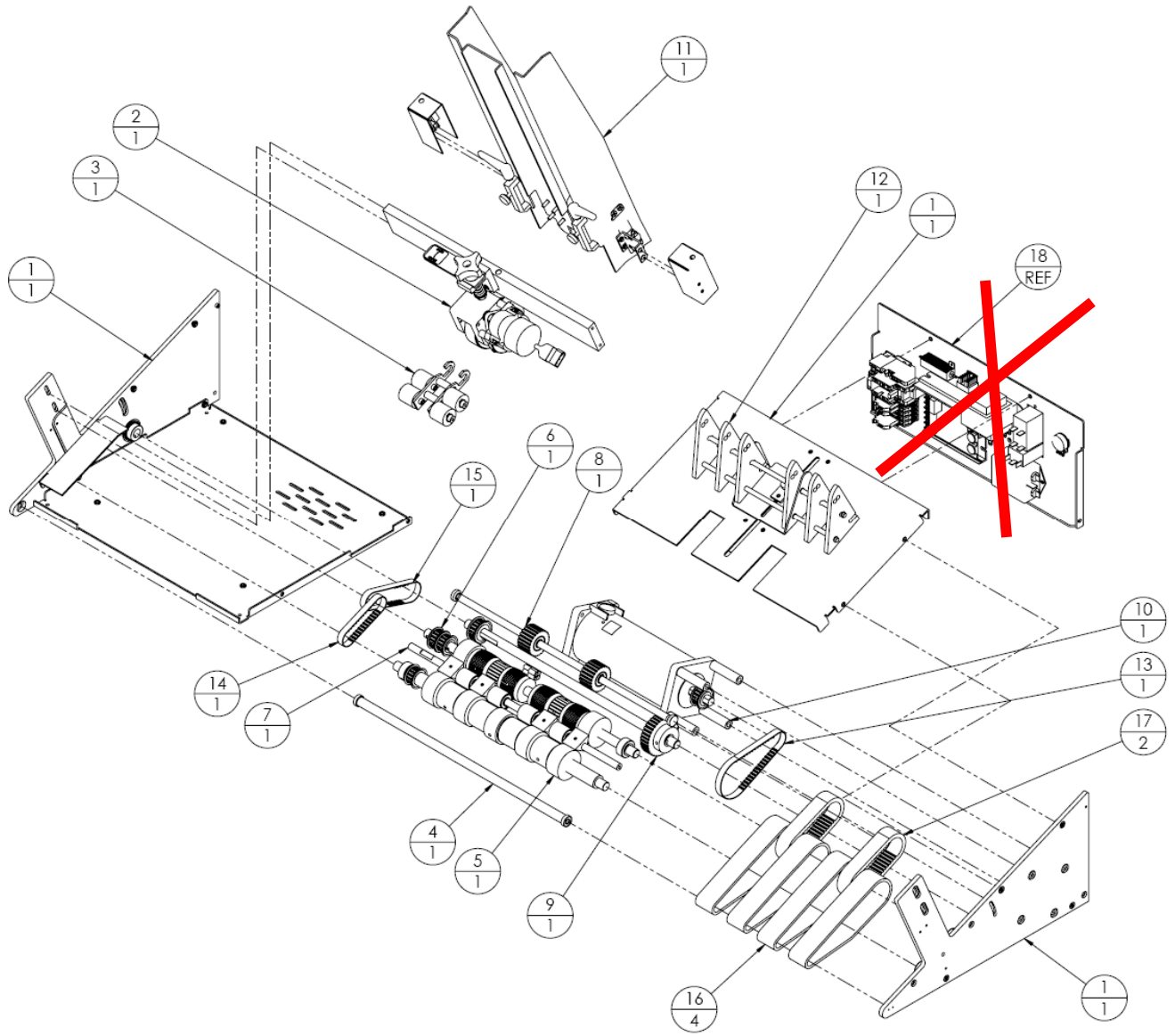


FIG 1 r0

ASSEMBLY, CHASSIS (10020-503rA) (Fig. 2)

ITEM	PART NO.	QTY.	DESCRIPTION
1	10000-085	1	SIDE FRAME, RH
2	10000-084	1	SIDE FRAME, LH
3	10001-056	1	COVER, TOP
4	10013-048	1	COVER, DRIVE, LH
5	10002-026	1	COVER, BOTTOM
6	10013-046	1	COVER, RUN OFF
7	99003-093	6	BEARING, 1/2 X 1-1/8 SEALED W/COLLAR
8	99036-003	6	SHIM, BEARING, 3/4 X 1-1/8 X .006
9	99036-005	2	SHIM, ARBOR, 3/8 X 5/8 X .006
10	10007-003	1	NUT, PAPER SLIDE
11	10007-004	1	WASHER, PAPER SLIDE
12	99006-020	1	PIN, ROLL, 5/32 X 3/4
13	10020-317	1	ASSY, KNOB, #10-24 X 1/2
14	-	10	SCREW, SKT HD, #10-24 X 3/8
15	-	2	SCREW, SKT HD, #6-32 X 1/4
16	-	4	SCREW, FLAT HD, #4-40 X 1/4
17	-	1	FLAT WASHER #6
18	99039-208	1	LABEL, EARTH GROUND (NOT SHOWN)

See details next page

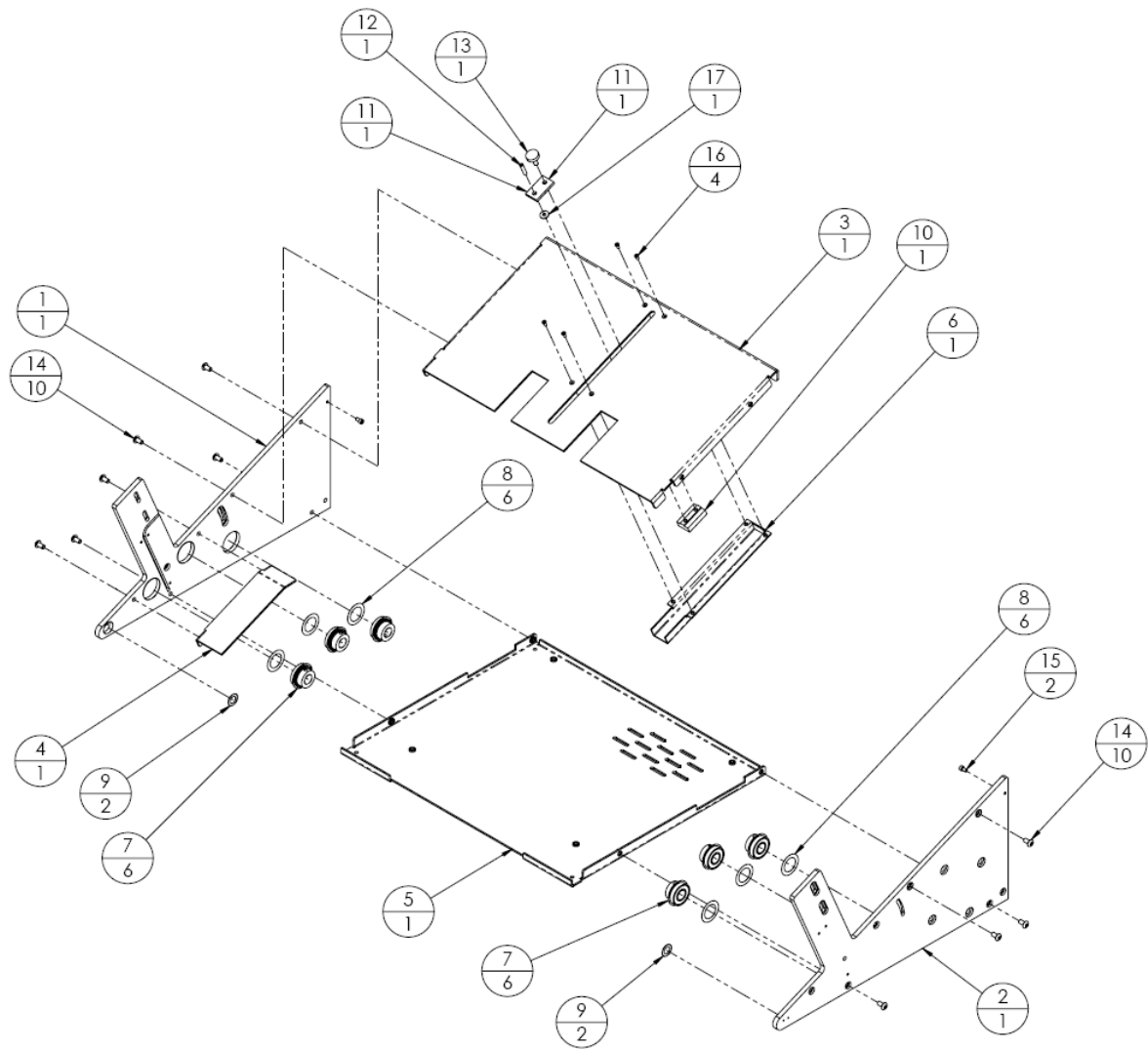
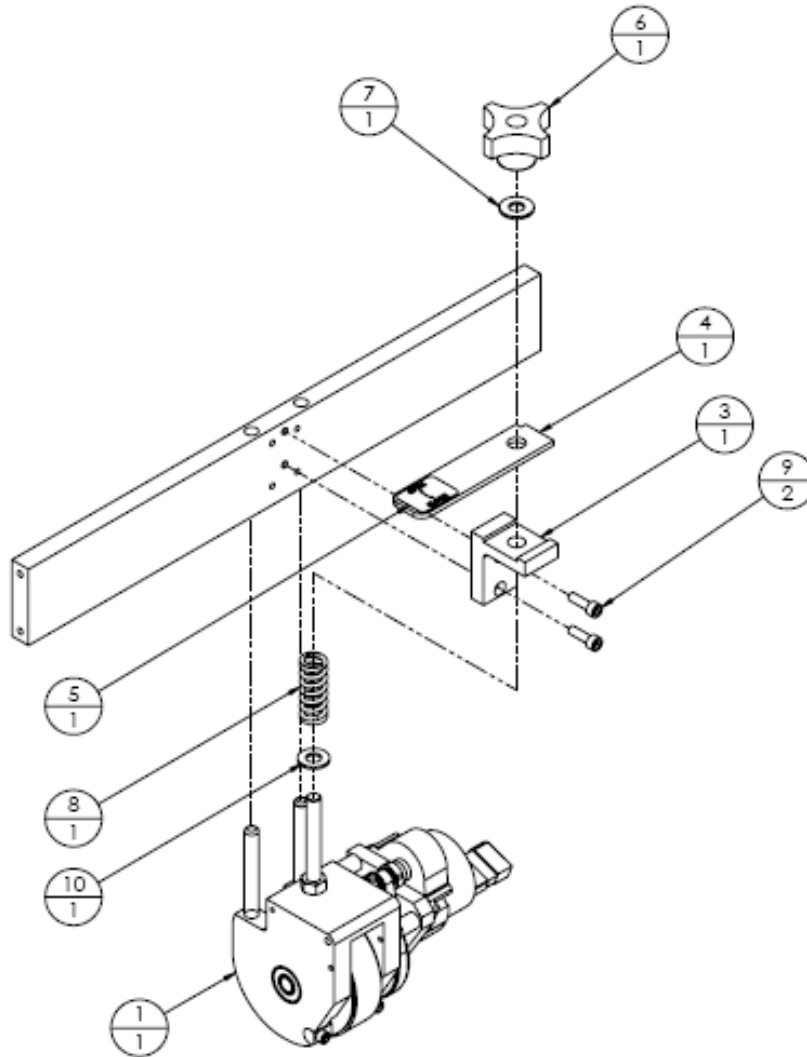


FIG 2rA

**ASSEMBLY, 24V SEPARATOR W/O SHROUD, W/ CROSSBAR
(10020-510r0) (Fig. 3)**

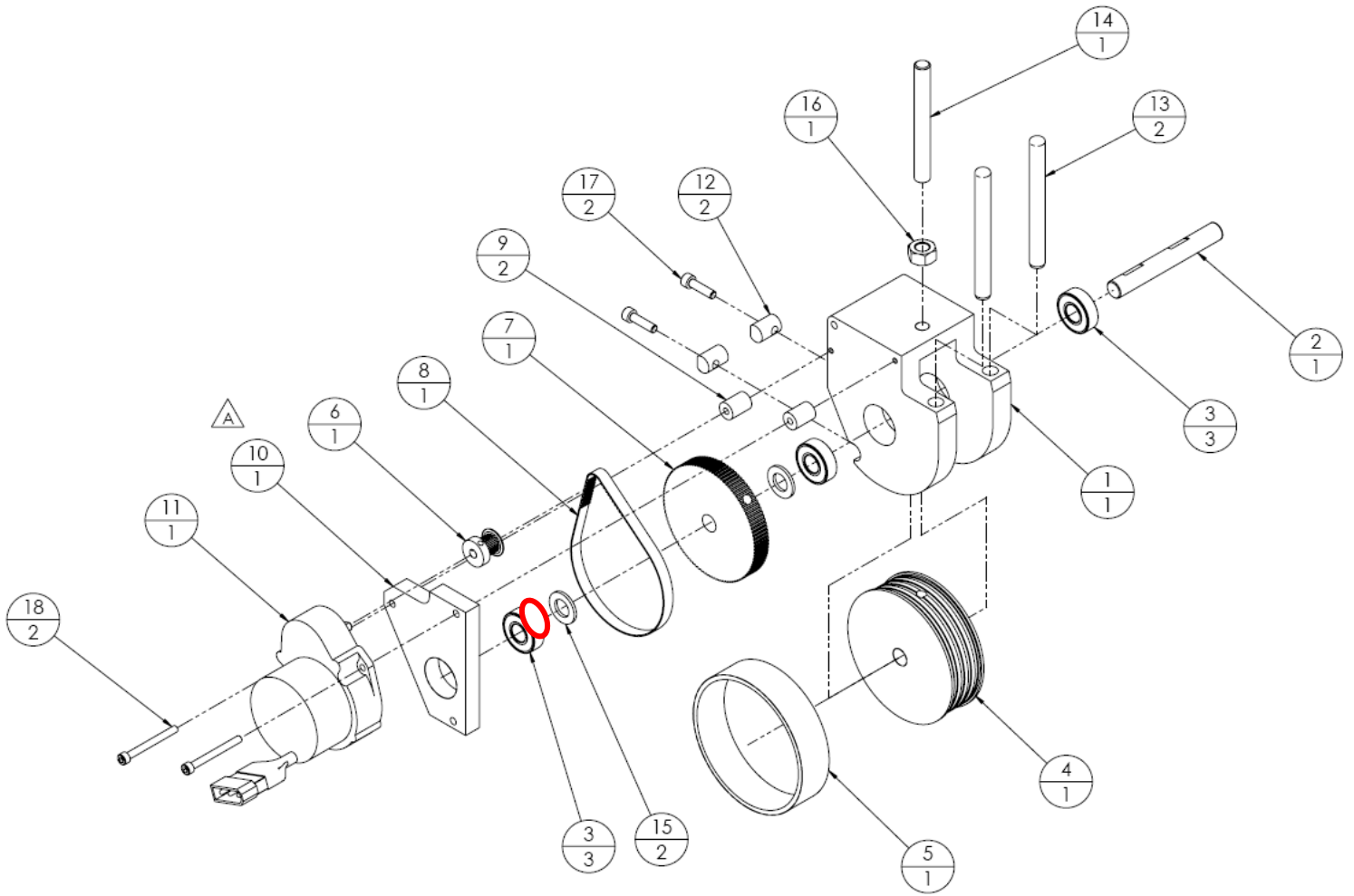
ITEM	PART NO.	QTY.	DESCRIPTION
1	10020-452rB	1	ASSY, SINGLE SEPARATOR W/O SHROUD (FIG 3A)
2	10003-030	1	CROSSBAR, SINGLE SEPARATOR
3	10007-010	1	BLOCK, SEPARATOR ADJ
4	10008-024	1	BAR,SEPARATOR RELEASE
5	18017-008	1	LABEL, FEEDER SEPARATOR ADJ
6	99004-001	1	KNOB, 5/16-24, FEMALE
7	99003-015	1	WASHER, NYLON, 5/16 X 1/16
8	99005-045	1	SPRING, SEPARATOR
9	-	2	SCREW, SKT HD, #10-24 X 5/8
10	-	1	FLAT WASHER, 5/16



SINGLE SEPARATOR W/O SHROUD 10020-452rB (FIG 3A)

ITEM	PART NO.	QTY.	DESCRIPTION
1	18007-166	1	BLOCK, SINGLE SEPARATOR
2	10004-176	1	SHAFT, SEPARATOR
3	99003-001	3	BEARING, 3/8 X 7/8, SHIELDED
4	10006-001	1	WHEEL, SEPARATOR 3" DIA.
5	10014-001	1	BELT, SEPARATOR 3"
6	99002-002	1	PULLEY, TIMING, 16MXL025, 3/16B
7	99002-001	1	PULLEY, TIMING, 100MXL025, 3/8B
8	99000-006	1	BELT, TIMING, 115MXL025
9	10012-028	2	STANDOFF, SEPARATOR MOTOR
10	10011-001	1	PLATE, MOTOR MOUNT
11	18021-066	1	ASSY, MOTOR SEPARATOR, 60 HZ
-	99001-018	1 EA	MOTOR, SEPARATOR, 24 VAC
-	98016-057	3 EA	CONTACT, PIN, 24-18 AWG
-	98016-115	1 EA	CONNECTOR, 3-POSITION MALE
12	10004-177	2	SHAFT, TONGUE SUPPORT
13	99006-002	2	PIN, DOWEL, 5/16 X 3
14	10004-028	1	STUD, SEPARATOR ADJUSTING
15	99003-017	2	WASHER, NYLON, 3/8 X 1/16 THK
16	-	1	NUT, HEX 5/16-24
17	-	2	SCREW, SKT HD, #8-32 X 5/8
18	-	2	SCREW, SKT HD, #6-32 X 1-1/2
19	99003-016	1	WASHER, NYLON 3/8 X 1/32 THK

See next page for details

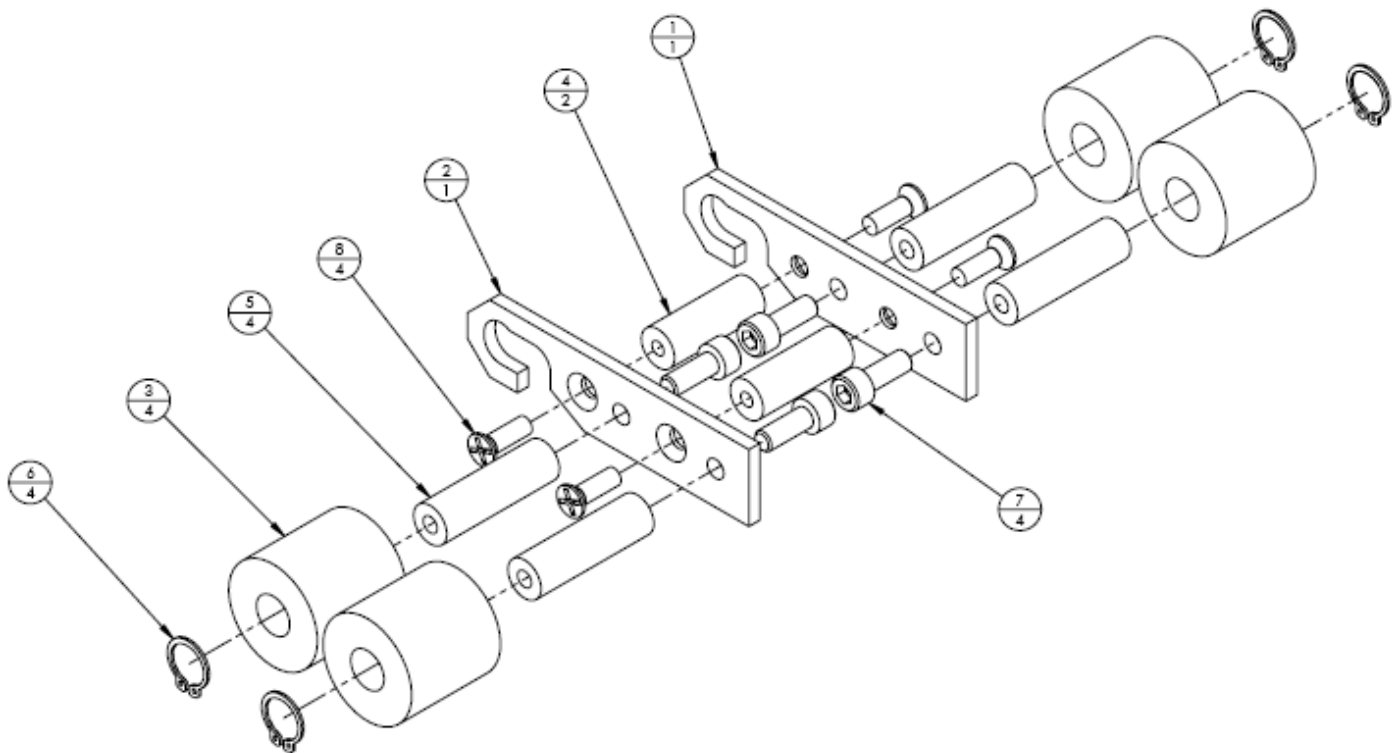


19

FIG 3ArB

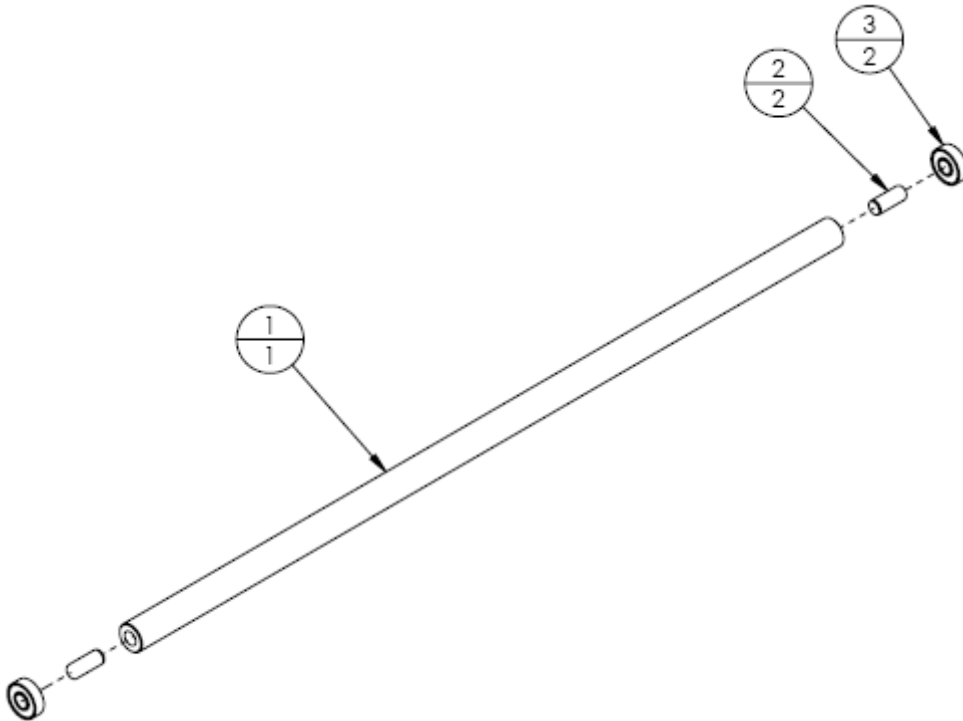
ASSEMBLY, TRAILING ARM (10020-496r0) (Fig. 4)

ITEM	PART NO.	QTY.	DESCRIPTION
1	10011-081	1	PLATE, ROLLER MTG, RH TONGUE
2	10011-082	1	PLATE, ROLLER MTG, LH TONGUE
3	10006-016	4	ROLLER, TONGUE
4	10012-003	2	SPACER, TONGUE
5	10004-054	4	SHAFT, TONGUE, 1-1/4" LG
6	99022-003	4	SNAP RING, 3/8
7	-	4	SCREW, SKT HEAD, #10-32 X 1/2
8	-	4	SCREW, FLAT HEAD, #8-32 X 1/2



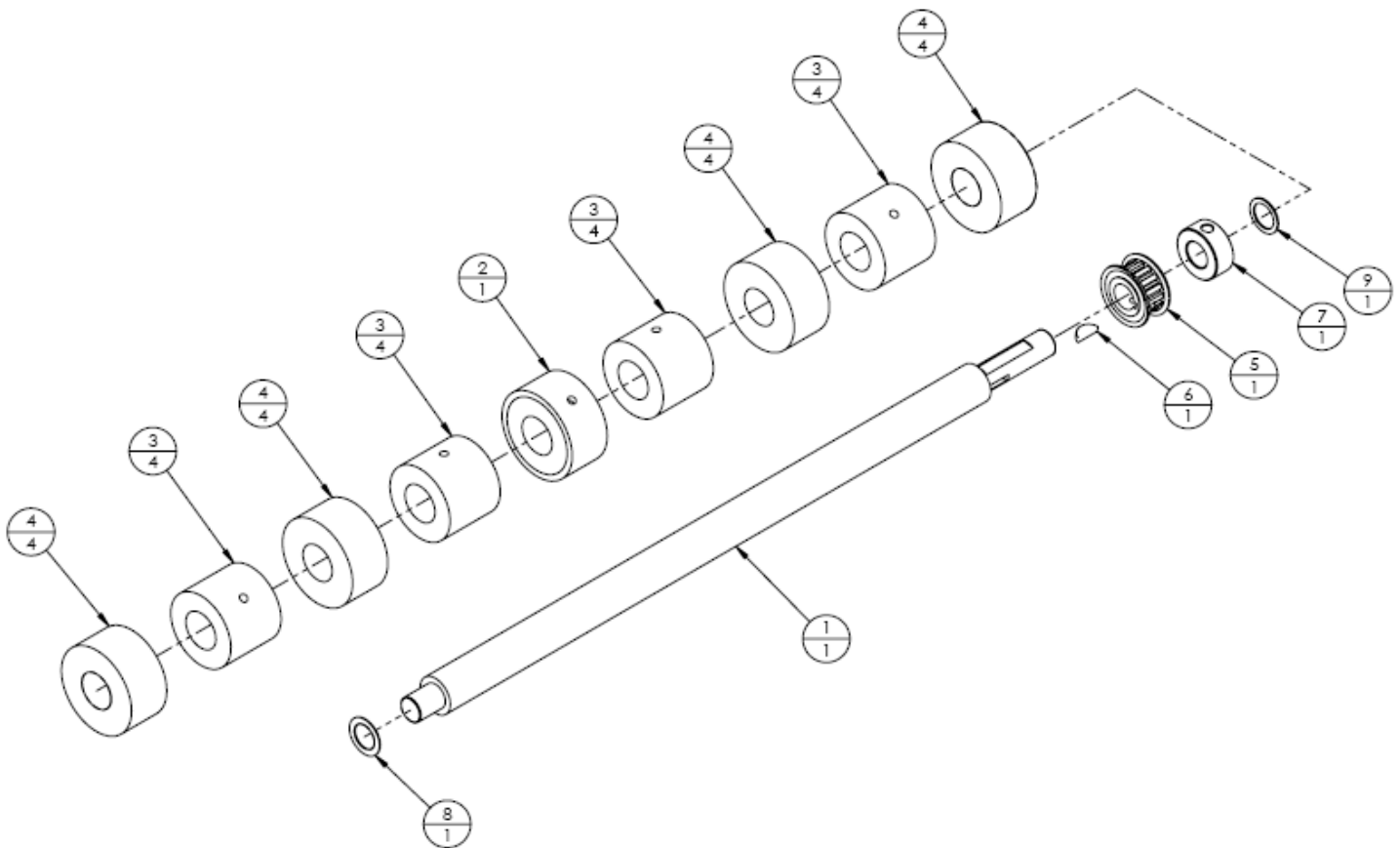
ASSEMBLY, FRONT SHAFT (10020-282r0) (Fig. 5)

ITEM	PART NO.	QTY.	DESCRIPTION
1	10004-161	1	SHAFT, FRONT
2	99006-028	2	PIN, DOWEL, 1/4 X 5/8
3	99003-056	2	BEARING, 1/4 X 5/8 SEALED



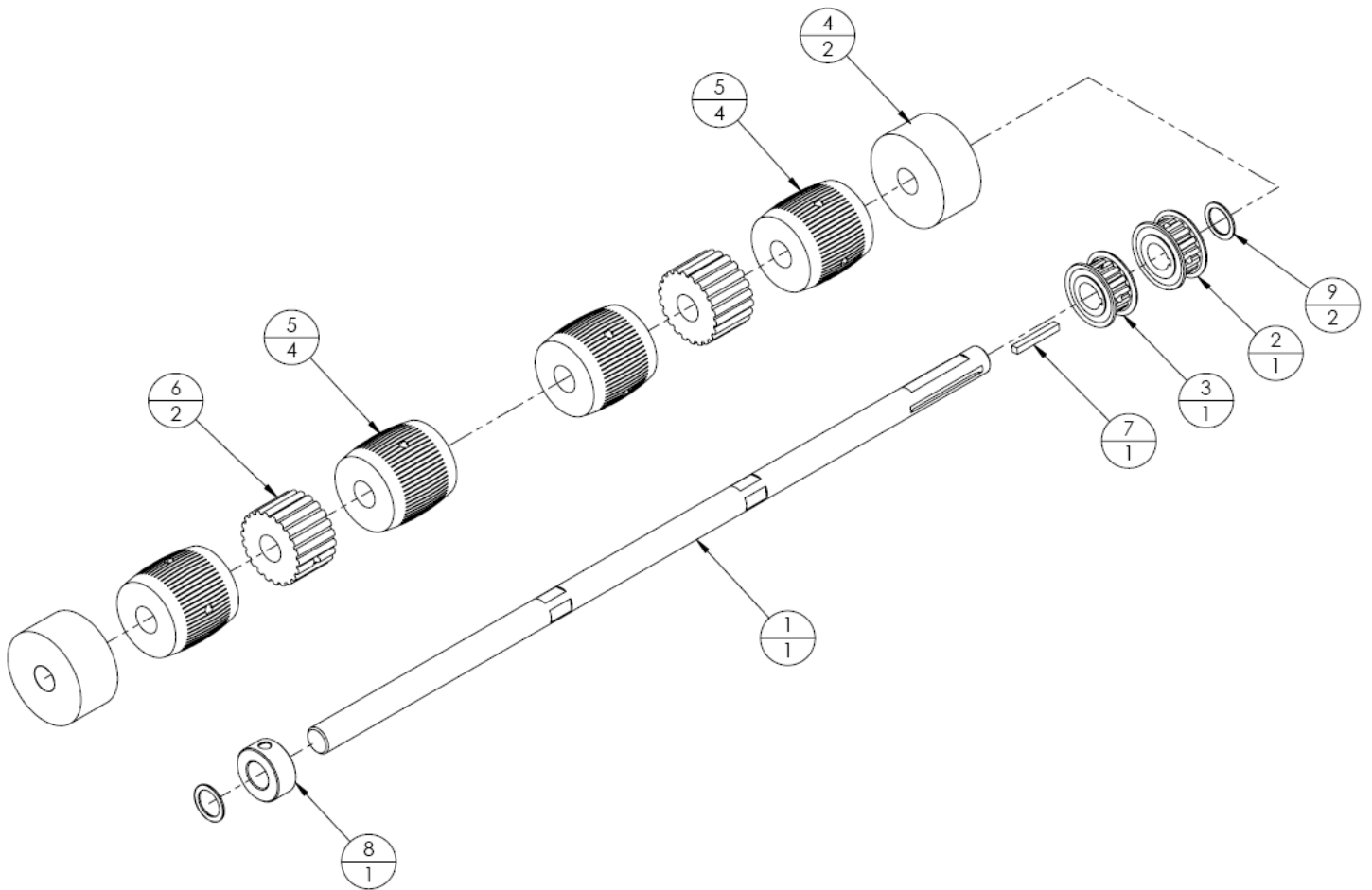
ASSEMBLY, NIP ROLLER SHAFT (10020-498r0) (Fig. 6)

ITEM	PART NO.	QTY.	DESCRIPTION
1	10004-171	1	SHAFT, DRIVE
2	10006-070	1	ROLLER, NIP, 3/4 B
3	10006-071	4	PULLEY, MATE, 3/4 B
4	10006-069	4	ROLLER, FEEDER, 3/4 B
5	99002-149	1	PULLEY, 15XL037, 1/2B
6	99034-004	1	KEY, WOODRUFF, 1/8 X 1/2
7	99017-004	1	COLLAR, 1/2 SHAFT
8	99036-004	1	SHIM, 1/2 X 3/4 X .020
9	99003-018	1	WASHER, NYLON, 1/2 X 1/32
10	99003-082	14	WASHER, NYLON 3/4 X 1/16 THK



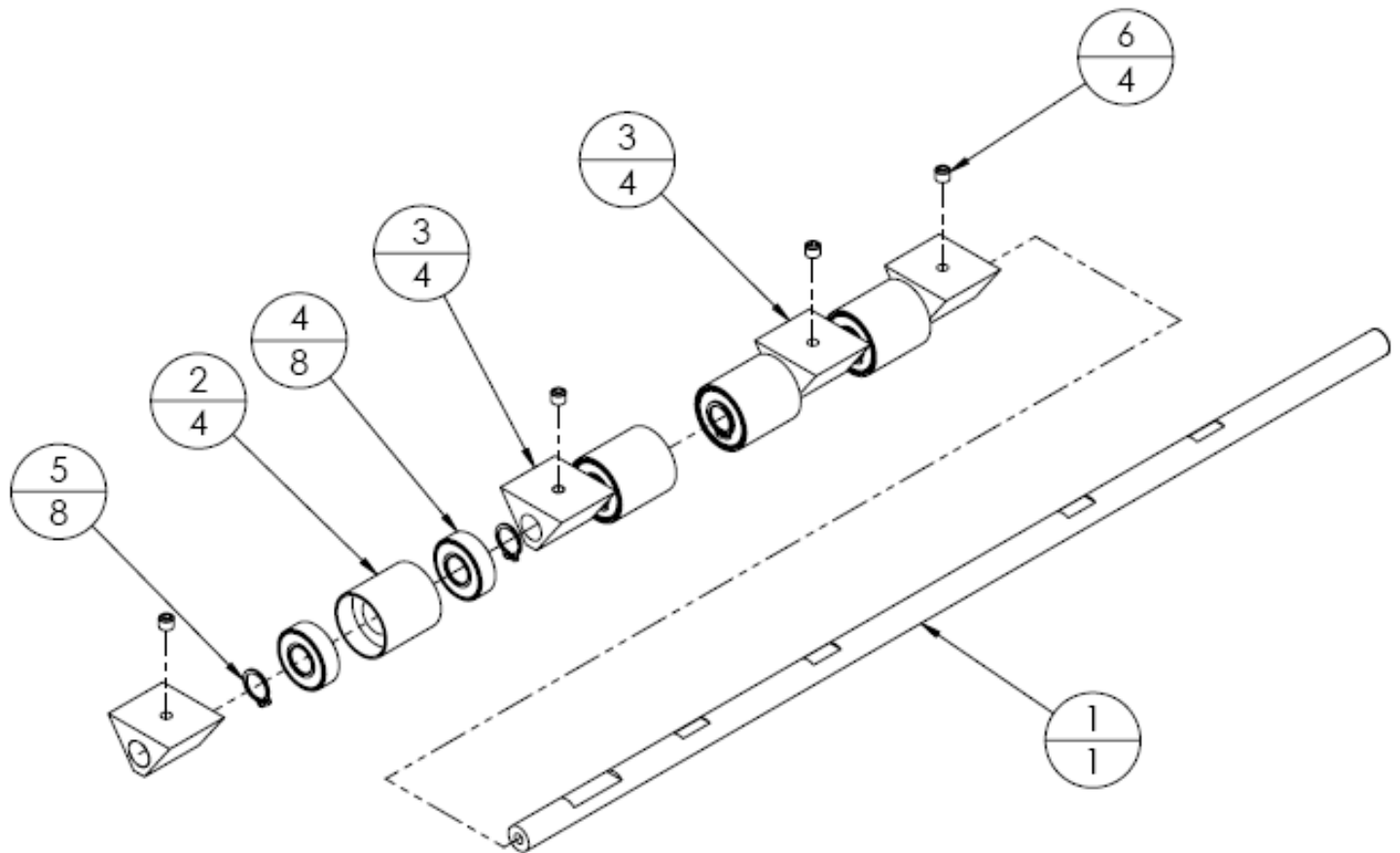
ASSEMBLY, MAIN DRIVE SHAFT (10020-500r0) (Fig. 7)

ITEM	PART NO.	QTY.	DESCRIPTION
1	10004-262	1	SHAFT, ELEVATOR DRIVE
2	99002-032	1	PULLEY, TIMING, 16XL037, 1/2B W/KEYWAY
3	99002-149	1	PULLEY, TIMING, 15XL037, 1/2B
4	10006-007	2	ROLLER, FEEDER, 1/2 B
5	10006-018	4	PULLEY, CROWNED
6	10006-021	2	PULLEY, ELEVATOR DRIVE
7	99034-006	1	KEY, SQUARE, 1/8 X 1
8	99017-004	1	COLLAR, 1/2 SHAFT
9	99003-032	2	WASHER, NYLON, 1/2 X 1/32



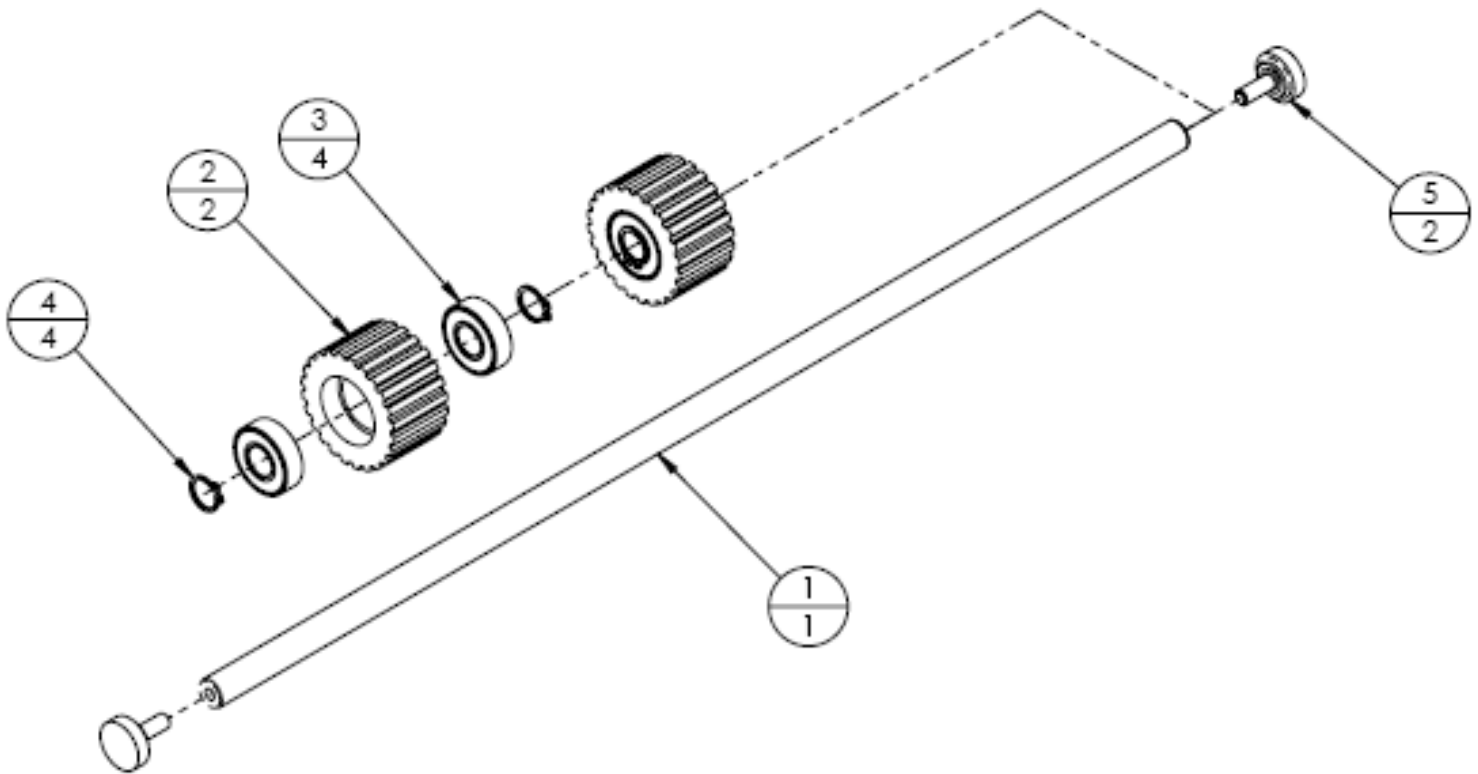
ASSEMBLY, IDLER SHAFT (10020-499r0) (Fig. 8)

ITEM	PART NO.	QTY.	DESCRIPTION
1	10004-245	1	SHAFT, IDLER SUPPORT
2	10006-012	4	ROLLER, IDLER SUPPORT
3	10007-130	4	BLOCK, PINCH POINT-1"
4	99003-001	8	BEARING, SHIELDED, 3/8 X 7/8
5	99022-003	8	SNAP RING, 3/8
6	-	4	SET SCREW, CUP PT. #10-24 X 3/16
7	99003-016	8	WASHER, NYLON 3/8 X 1/32 THK



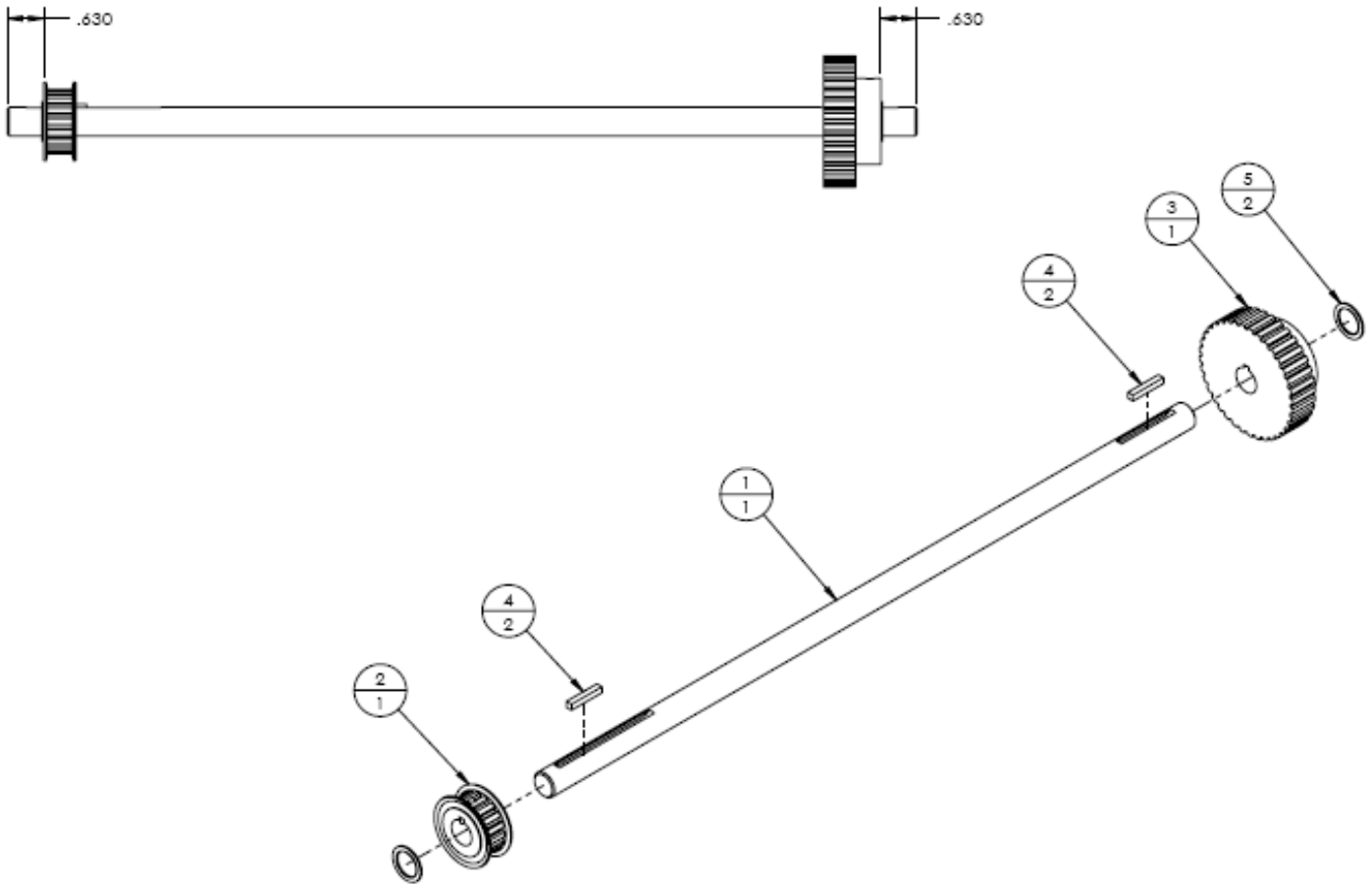
ASSEMBLY, ELEVATOR SHAFT (10020-502r0) (Fig. 9)

ITEM	PART NO.	QTY.	DESCRIPTION
1	10004-163	1	SHAFT, IDLER SUPPORT
2	10006-022	2	PULLEY, ELEVATOR BELT IDLER
3	99003-001	4	BEARING, SHIELDED, 3/8 X 7/8
4	99022-003	4	SNAP RING, 3/8
5	10020-317	2	ASSY, KNOB, #10-24 X 1/2
6	99003-016	4	WASHER, NYLON 3/8 X 1/32 THK



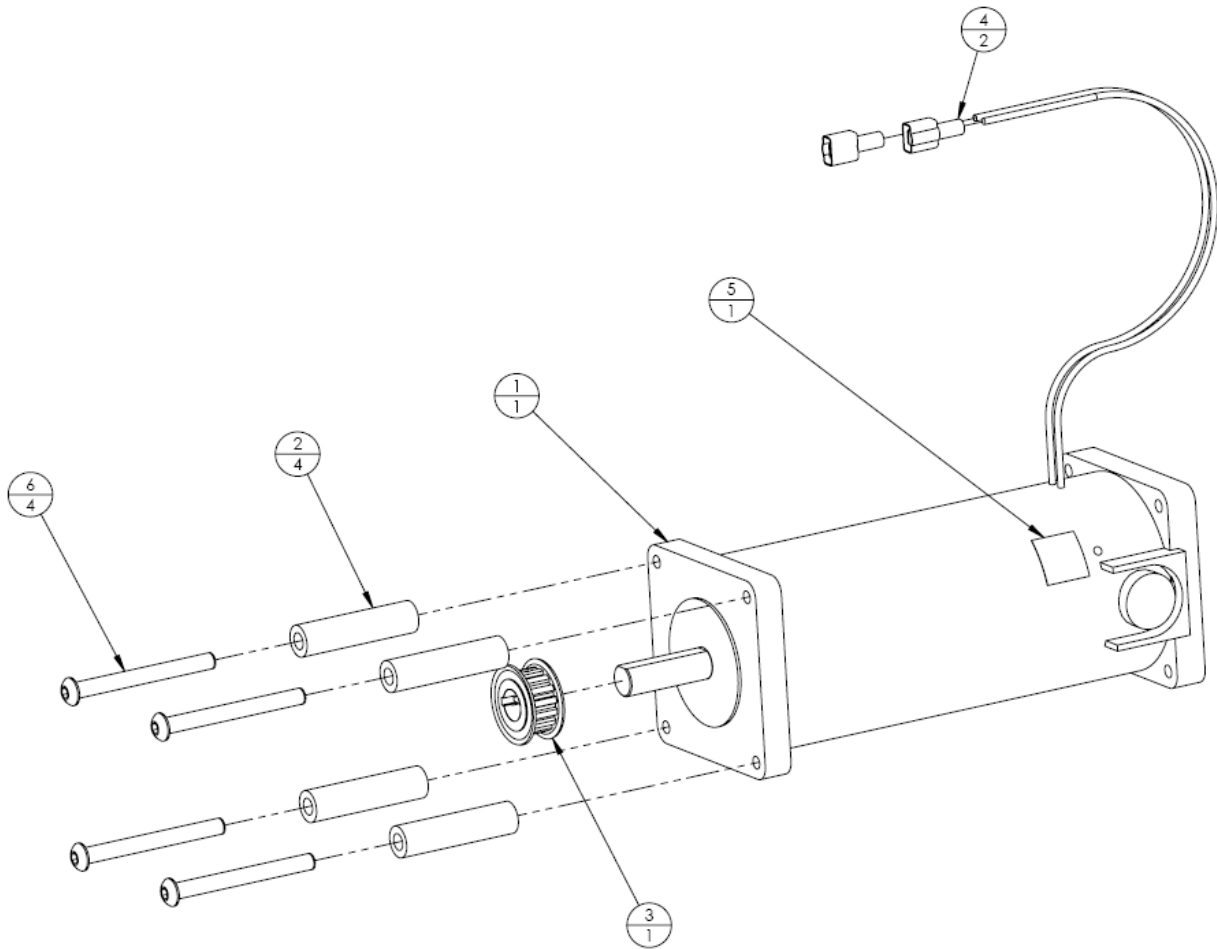
ASSEMBLY, JACK SHAFT (18020-501r0) (Fig. 10)

ITEM	PART NO.	QTY.	DESCRIPTION
1	10004-212	1	SHAFT, CAM
2	99002-026	1	PULLEY, TIMING, 18XL037, 1/2B W/ K'WAY
3	99002-005	1	PULLEY, TIMING, 36XL037, 1/2 B
4	99034-003	2	KEY, SQUARE, 1/8 X 3/4
5	99003-032	2	WASHER, NYLON, 1/2 X 1/32



ASSEMBLY, MOTOR (10020-504r0) (Fig. 11)

ITEM	PART NO.	QTY.	DESCRIPTION
1	99001-063	1	MOTOR, 1/6 HP, 90VDC, 1700 RPM
2	10012-037	4	STANDOFF, MOTOR
3	99002-032	1	PULLEY, TIMING, 16XL037-1/2B
4	98016-215	2	QUICK DISCONNECT, .250 MALE
5	99039-208	1	LABEL, EARTH GROUND
6	-	4	SCREW, BUTTON HD, 1/4-20 X 1/2
	10018-140	1	ASSEMBLY, BRUSH NOISE CHOKE
-	98020-032	1	CHOKE, ELECTRICAL
-	98016-217	2	QUICK DISCONNECT, .187 FEMALE
-	98016-015	1	BACKSHELL, SIZE 11
-	98016-058	1	RECEPTACLE, FREE-HANGING
-	98016-221	1	RING TERMINAL, #8
-	98016-059	2	CONTACT, PIN 18-14 AWG
-	98016-234	1	PIN, EXTENDED, GOLD 16-18 AWG



ASSEMBLY, SIDE GUIDES (10020-497r0) (Fig. 12)

ITEM	PART NO.	QTY.	DESCRIPTION
1	18005-185	1	GUIDE, FRONT PAPER
2	10005-185	1	SIDE GUIDE, RH-TUV
3	10005-186	1	SIDE GUIDE, LH-TUV
4	10009-002	2	BRACKET, SIDE GUIDE MTG
5	99004-003	2	HANDLE, RATCHET, #10-24 X 3/4
6	10020-316	2	ASSY, KNOB, #10-24 X 3/8
7	10019-016	2	SWITCH, SIDE GUIDE
8	10009-107	2	BRACKET, SWITCH MTG W/ COVER
9	10005-204	2	GUIDE, PRODUCT SWITCH COVER
10	-	4	SCREW, FLAT HD, #8-32 X 1/2
11	-	4	SCREW, PAN HD, #6-32 X 3/8
12	-	8	SCREW, FLAT HD, #6-32 X 5/16
13	-	4	SCREW, FLAT HD, #6-32 X 1/4
14	-	4	SCREW, PAN HD, #6-32 X 1/4
15	-	4	HEX NUT, #6-32
16	10013-063	1	COVER, RH, LOW PRODUCT (NOT SHOWN)
17	10013-064	1	COVER, LH, LOW PRODUCT (NOT SHOWN)

See next page for details

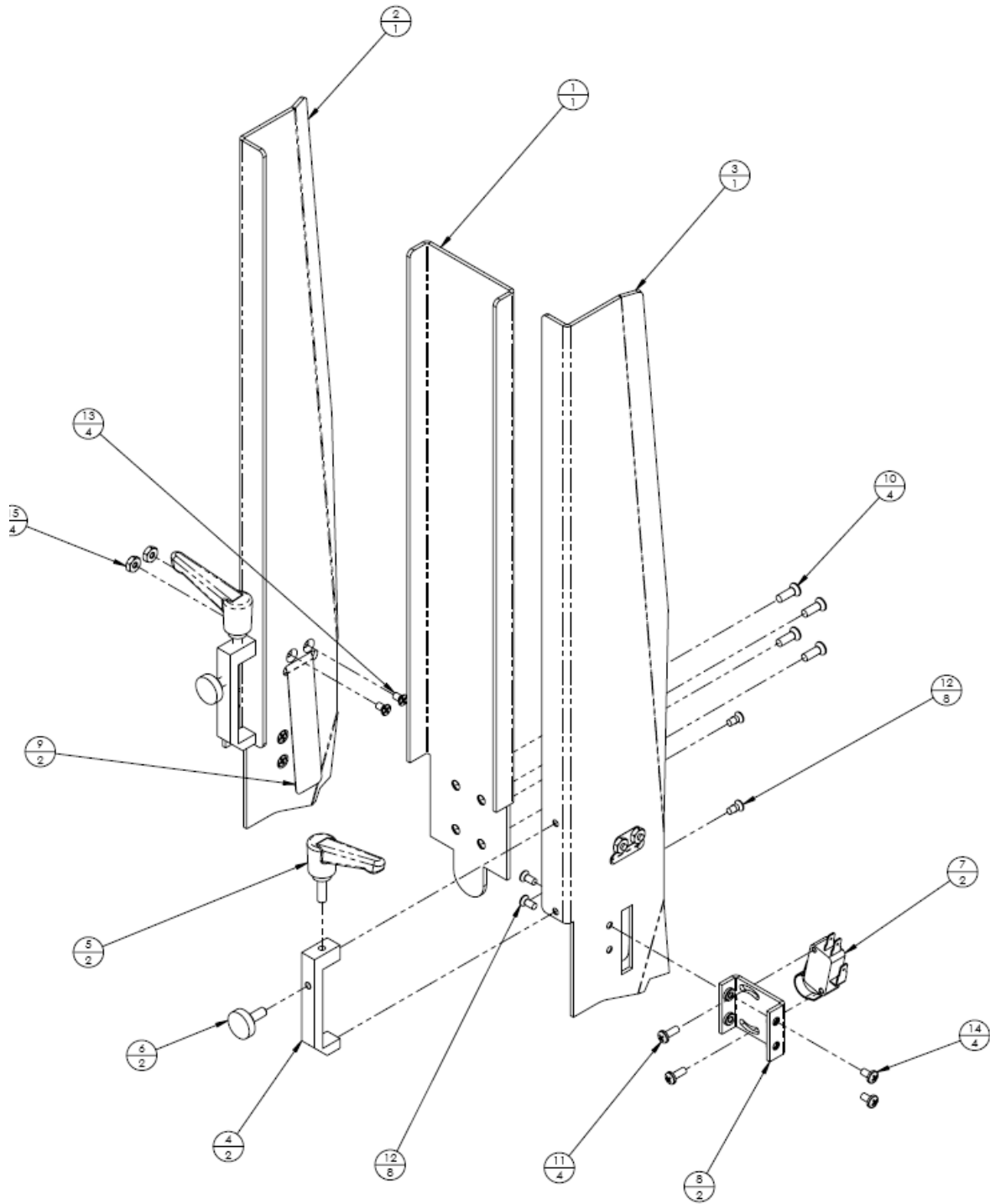
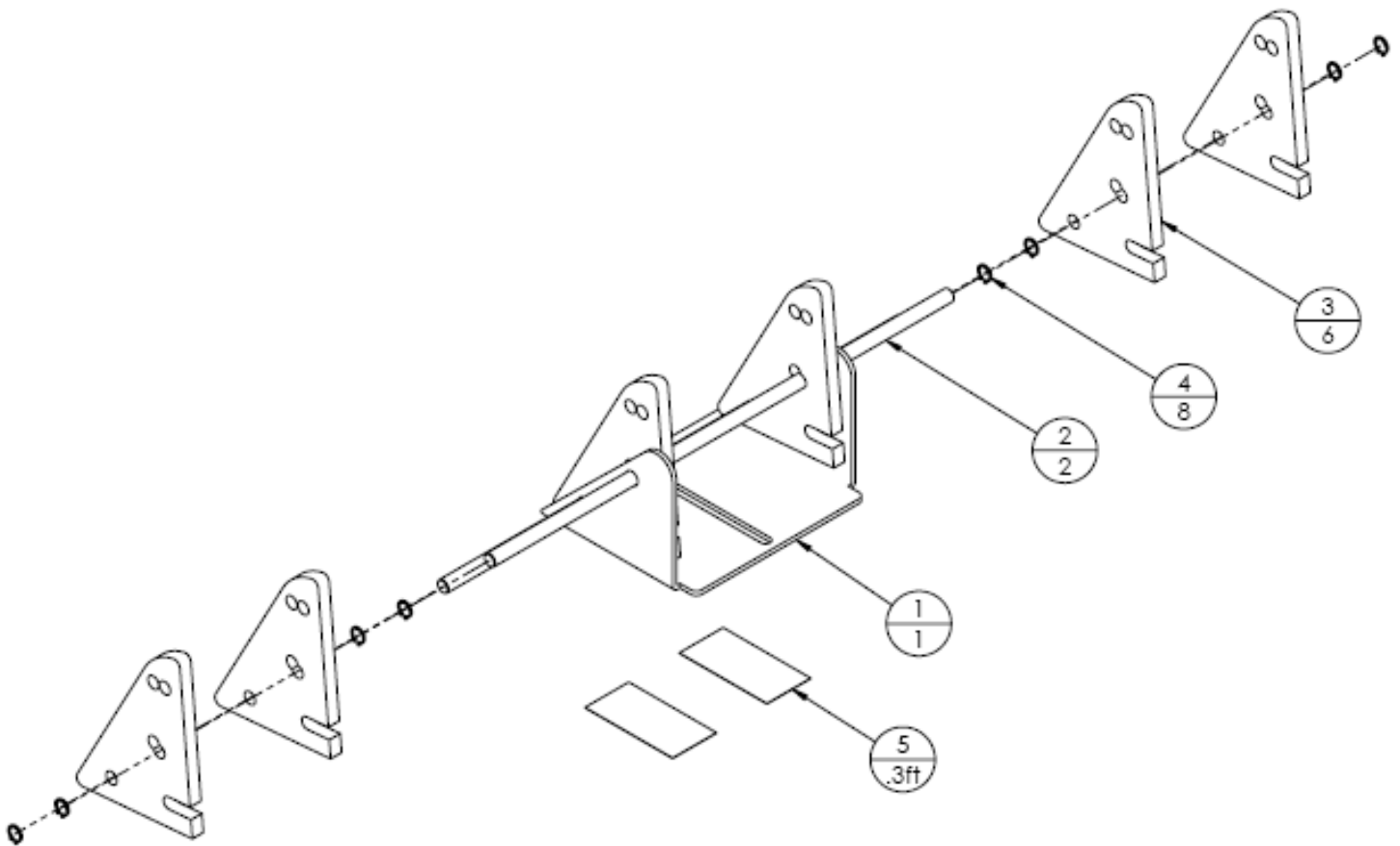


FIG 12r0

ASSEMBLY, PAPER SLIDE (10020-058r0) (FIG. 13)

ITEM	PART NO.	QTY.	DESCRIPTION
1	10009-003	1	BRACKET, PAPER SLIDE
2	10004-006	2	SHAFT, PAPER SLIDE
3	10005-016	6	SLIDE, PAPER
4	99022-001	8	SNAP RING, 1/4"
5	99039-009	0.3 FT	ANTI-SKID TAPE, BLACK



ASSEMBLY, BACK PANEL 1500 IJ FEEDER 10018-135 (FIG. 14)

ITEM	PART NO.	QTY.	DESCRIPTION
1	98003-052	1	POWER ENTRY MODULE, 5A
2	98020-092	1	FILTER-RFI, 115/250V, 6A
5	98020-082	1	OUTPUT MODULE 4-28VDC, 12-280VAC
6	98005-019	1	CONTROLLER, MOTOR 90V DC
8	98001-088	2	END COVER, DBL LAYER TERM'L
9	98001-093	1	TERMINAL, DOUBLE LAYER, SHORTED
10	98002-022	1	RELAY, SPST, 120VAC
11	98002-012	1	SOCKET, RELAY, 5 PIN
12	98001-111	6	TERMINAL BLOCK, SINGLE
14	98001-061	2	TERMINAL BLOCK, GROUND
15	98004-019	4	FUSE, 500 mA, 250 V 5X20MM
16	98004-018	1	FUSE, 3 A, 250 V 5X20MM
17	98020-058	1	RESISTOR, 50 WT, 33 Ω
20	98016-008	1	BACKSHELL, PLASTIC SIZE 13 (J1)
21	98016-060	3	CONTACT, SOCKET, 18-14 AWG (J1)
22	98016-027	4	CONTACT, SOCKET, 24-20 AWG (J1)
23	98001-066	2	JUMPER 2 POLE, FUSE TERMINAL
25	98016-007	1	PLUG, AMP, 13-9 FEMALE (J1)
26	98010-221	1	CORDSET, RJ-1 TO RJ-11, 7 FT
27	98020-103	1	DIODE, 6 A, 600V
28	98016-243	1	CONNECTOR, RJ12
30	98008-017	1	TRANSFORMER, 25VA, 110/24 VAC
31	98001-105	4	FUSE HOLDER
32	99012-001	1	DOOR HANDLE
	10013-061	1	REAR COVER
	98007-001	1	CORD, POWER, 90°

REF	10018-142	1	FEEDER HARNESS ASSEMBLY (FIG 14A)
1	98016-016	1	RECEPTACLE, FREE-HANGING, 13-9 (P1)
2	98016-008	1	BACKSHELL, PLASTIC, SIZE 13 (P1)
3	98016-059	2	CONTACT, PIN 18-14 AWG (P1)
4	98016-234	1	PIN, EXTENDED, GOLD, 16-18 AWG (P1)
5	98001-119	2	TERMINAL, LEVERNUT
6	98016-062	1	CONNECTOR, 6- POS FEMALE (.093
7	98016-056	5	CONTACT, SOCKET 24-18 AWG
8	10018-141	1	ASSEMBLY, 1500 SEPARATOR CAPACITOR
9	98016-063	1 EA	CONNECTOR, 6- POS MALE (.093
-	98016-057	5 EA	CONTACT, PIN 24-18 AWG
-	98020-029	1 EA	CAPACITOR, 60 HZ
-	98016-116	1	CONNECTOR, 3- POS FEMALE (.093
10	98016-056	3	CONTACT, SOCKET 24-18 AWG
11	98016-239	2	CONNECTOR, LIMIT SWITCH
12	10013-063	2	COVER, LH, LOW PRODUCT SWITCH
13	98016-025	4	CONTACT, PIN 24-20 AWG (P1)