

PITNEY BOWES
Sure-Feed Engineering

SPEED UP CONVEYOR

Parts Manual

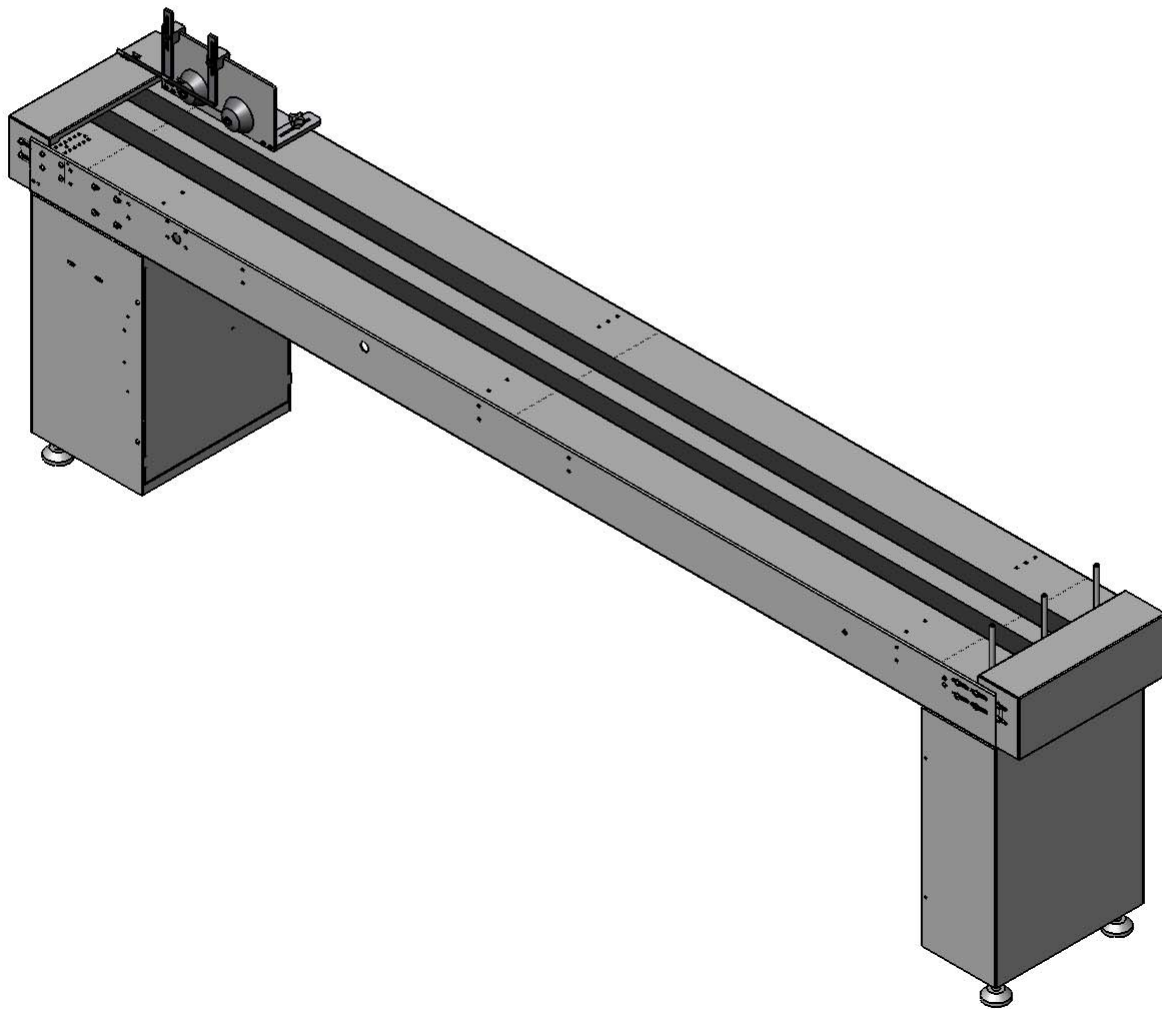


SURE-FEED ENGINEERING

12050 49th STREET NORTH - CLEARWATER, FL. 33762-4301
PHONE: 727.571.3330 - FAX: 727.571.3443 - TOLL FREE: 1.800.INSERTER
web: sure-feed.com

PITNEY BOWES
Sure-Feed Engineering

***SHINGLE
CONVEYOR***

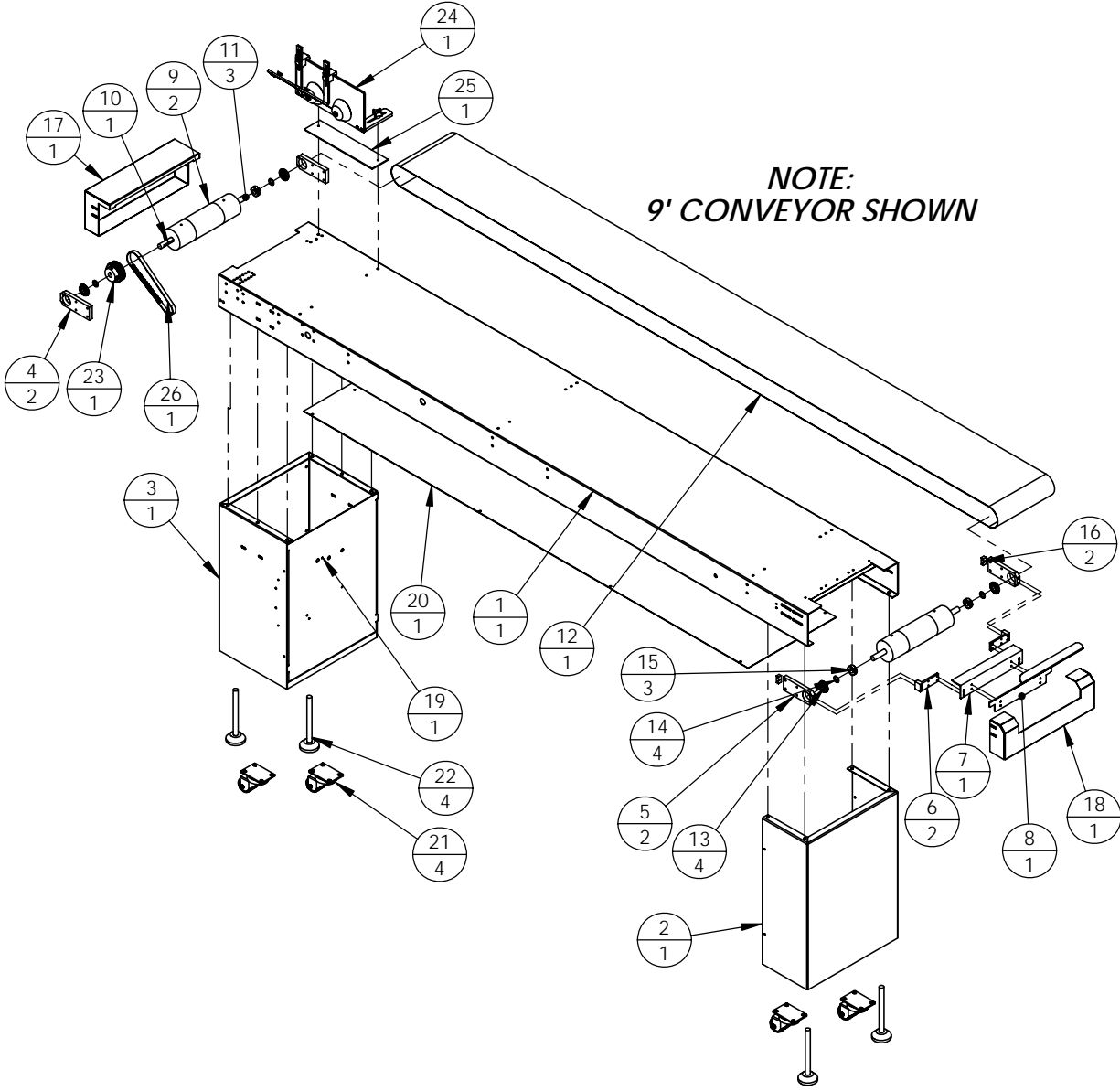


**SPEED UP CONVEYOR ASSEMBLY (Fig. 10-1)
(12020-049)**

ITEM	PART NO.	QTY.	DESCRIPTION
1	12000-007	1	SIDEFAME, 9' CONV
1A	12000-014	1	SIDEFAME, 6 CONV
2	12010-003	1	LEG, CONV IDLER
3	12010-004	1	LEG, CONV DRIVE
4	12007-001	2	BLOCK, BEARING
5	12007-033	2	BLOCK, BEARING-REAR
6	12007-032	2	BLOCK, GUIDE MTG
7	12005-027	1	GUIDE, DISCHARGE
8	12011-035	1	PLATE, ACCM
9	12006-018	2	PULLEY, CROWNED
10	12004-012	1	SHAFT, STUB DRIVE
11	12004-013	3	SHAFT, STUB IDLER
12	99000-117	1	BELT, ENDLESS, 10" X 18'-1" (9' CONV)
12A	99000-116	1	BELT, ENDLESS, 10" X 12'-1" (6' CONV)
13	99003-006	4	BEARING, 5/8 X 1-3/8
14	99003-021	4	WASHER, NYLON, 5/8 X 1/16
15	99017-029	3	COLLAR, 1PC CLAMP, 5/8
16	12007-002	2	BLOCK TAKE UP
17	12011-006	1	END CAP, IDLER
18	12013-021	1	COVER, REAR ROLLER
19	12013-024	1	COVER, CONV LEG
20	12002-005	1	COVER, BOTTOM (9' CONV)
20A	12002-006	1	COVER, BOTTOM (6' CONV)
21	99010-002	4	CASTER, 3"
22	99010-001	4	FOOT, 5/8-11
23	99002-047	1	PULLEY, TIMING, 24L050
24	12020-009	1	ASSEMBLY, KNOCKDOWN (FIG. 2)
25	12011-043	1	PLATE, SPACER
26	99000-063	1	BELT, TIMING, 255L050

PITNEY BOWES

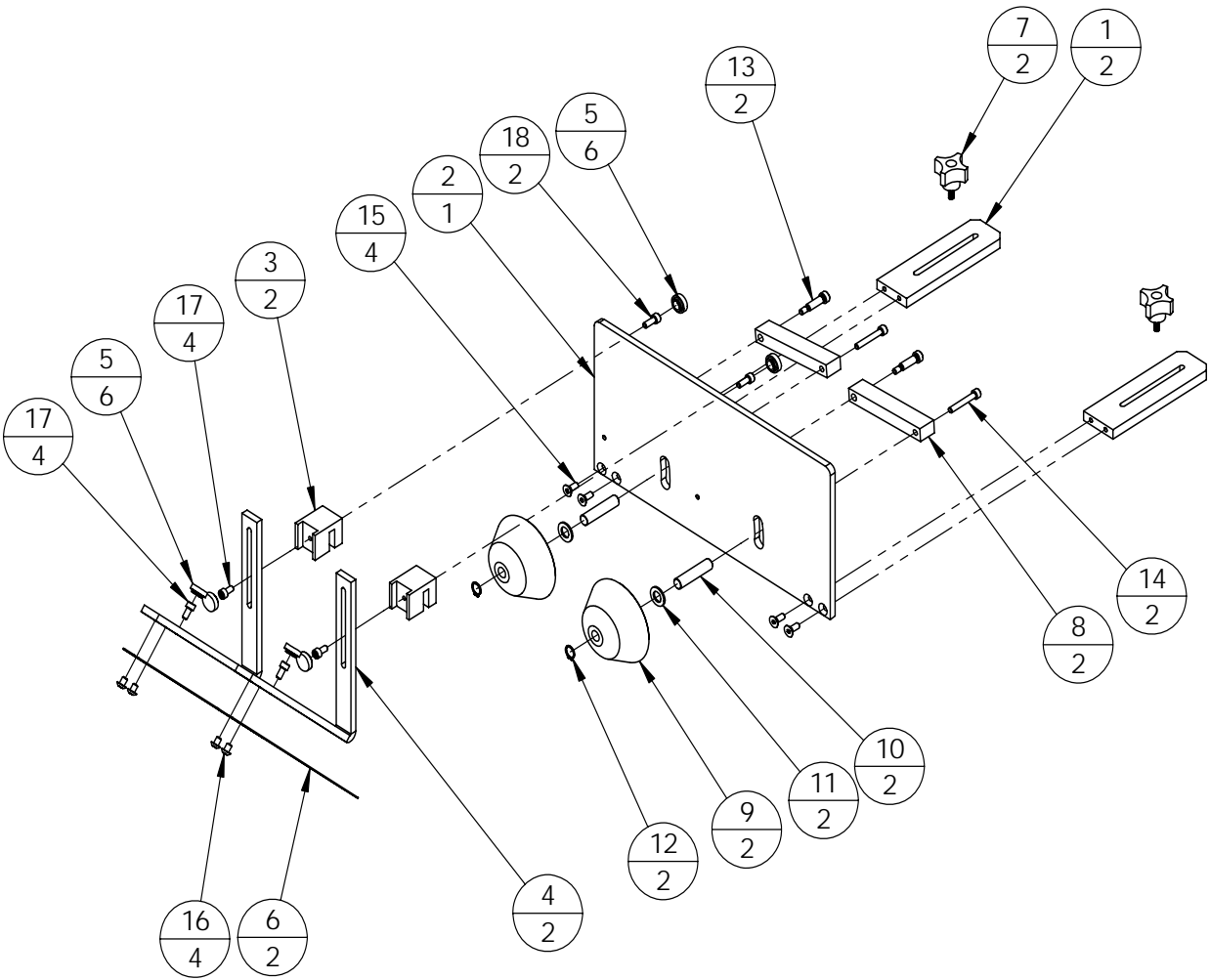
Sure-Feed Engineering



**SPEED UP CONVEYOR (Fig. 10-2)
 KNOCK DOWN ASSEMBLY (12020-086)**

ITEM	PART NO.	QTY.	DESCRIPTION
1	12007-006	2	BLOCK, PLATE MTG.
2	12011-007	1	PLATE, KNOCK DOWN
3	12007-007	2	BLOCK, KNOCK DOWN
4	12008-001	2	BRACKET, KNOCK DOWN
5	99004-002	6	KNOB, #10 SCREW
6	12005-007	2	GUIDE, KNOCK DOWN
7	99004-019	2	KNOB, #10-24 MALE
8	12008-028	2	BAR, KNOCK DOWN ROLLER MTG.
9	12006-020	2	ROLLER, KNOCK DOWN
10	12004-028	2	SHAFT, KNOCK DOWN ROLLER
11	99033-005	2	SHOULDER BOLT, 1/4 X 3/4
12	99003-017	2	WASHER, NYLON, 3/8 X 1/16
13	-	2	SCREW, SKT HEAD, #10-24 X 1-1/4
14	99022-003	2	SNAP RING, 3/8
15	-	4	SCREW, FLAT HEAD, #10-24 X 1/2
16	-	4	SCREW, BUTTON HEAD, #10-24 X 1/4
17	-	4	SCREW, SKT HEAD, #10-24 X 3/8
18	-	2	SCREW, SKT HEAD, #10-24 X 1/2

PITNEY BOWES
Sure-Feed Engineering

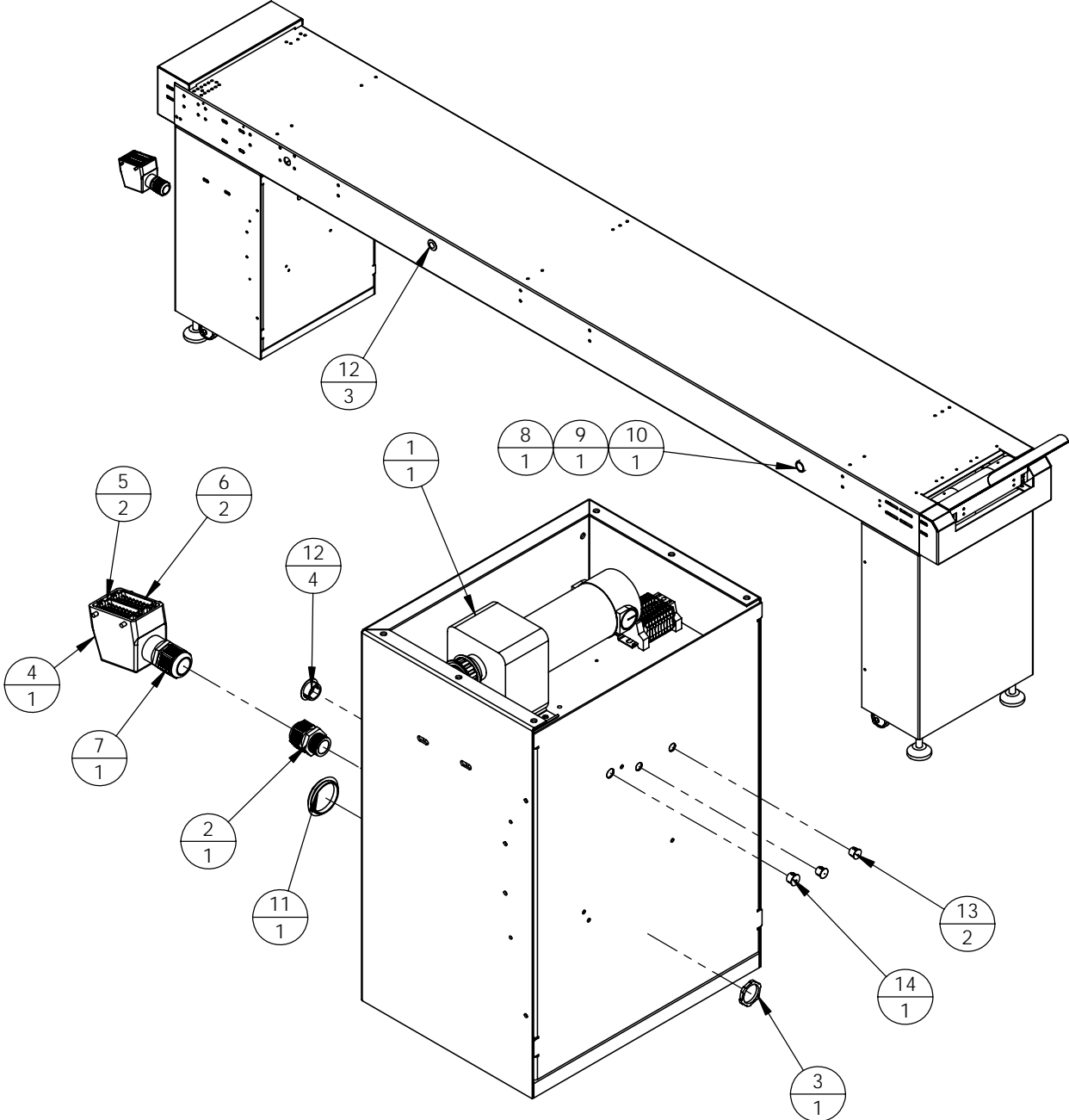


**SPEED UP CONVEYOR (Fig. 10-3)
 ELECTRICAL ASSEMBLY (12021-012)**

ITEM	PART NO.	QTY.	DESCRIPTION
1	12021-045	1	ASSEMBLY, MOTOR (Fig. 10-4)
2	98015-002	1	STRAIN RELIEF, 3/4
3	98015-004	1	LOCKNUT, 3/4
4	98016-160	1	CONNECTOR, PHOENIX
5	98016-155	1	PLUG, MALE, 1-16
6	98016-157	1	PLUG, MALE, 17-32
7	98015-049	1	STRAIN RELIEF, PHOENIX
8	98000-017	1	CONTACT BLOCK ASSEMBLY
9	98000-035	1	SWITCH, PUSH BUTTON-BLK
10	-		NUT, SWITCH
11	98015-022	1	PLUG, FINISHING, 1-3/4
12	98015-023	4	PLUG, FINISHING, 7/8
13	98015-024	2	PLUG, FINISHING, 7/16
14	98015-031	1	PLUG, FINISHING, 1/2
15	98010-011	2FT	WIRE, 18/3-RED/WHT/BLK (NOT SHOWN)
16	98010-019	7FT	WIRE, 22AWG-7 CONN (NOT SHOWN)

PITNEY BOWES

Sure-Feed Engineering

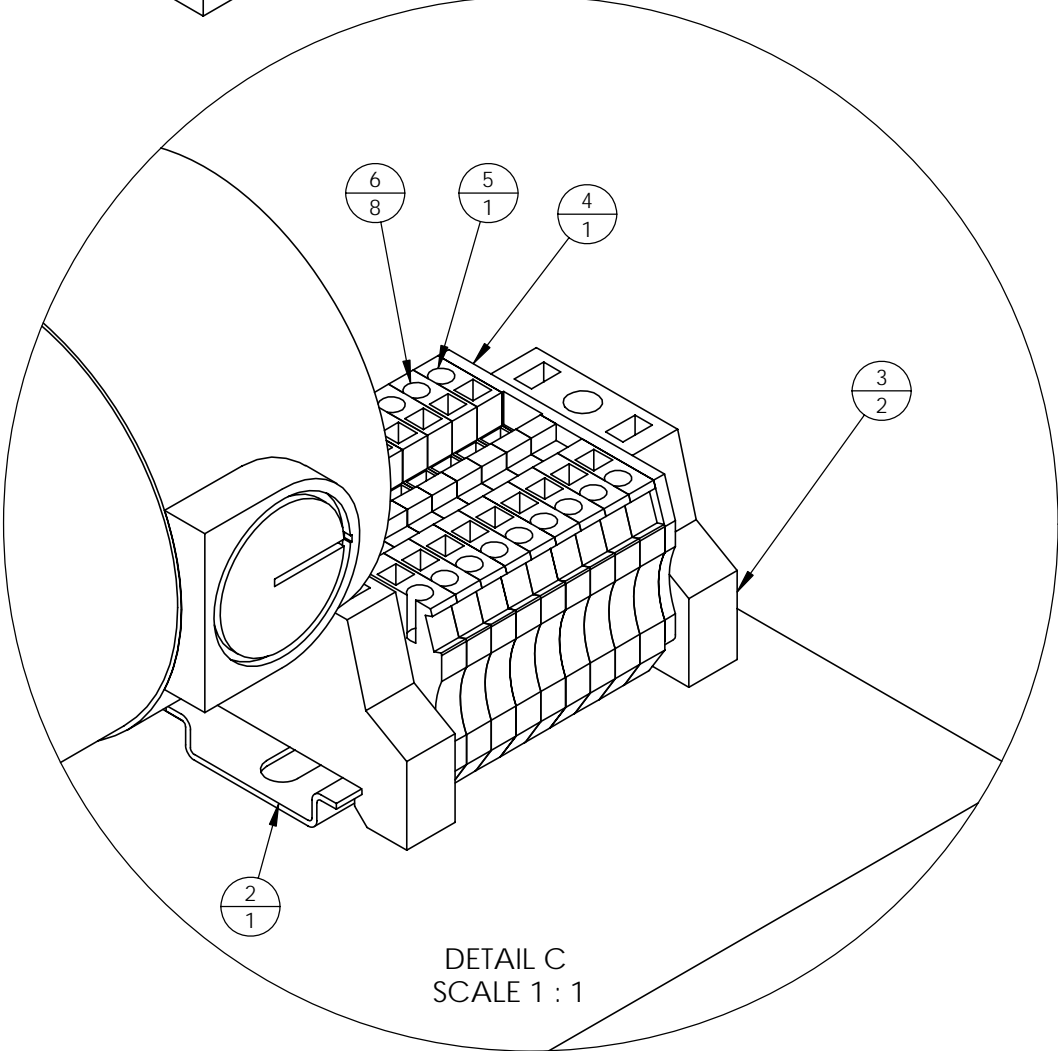
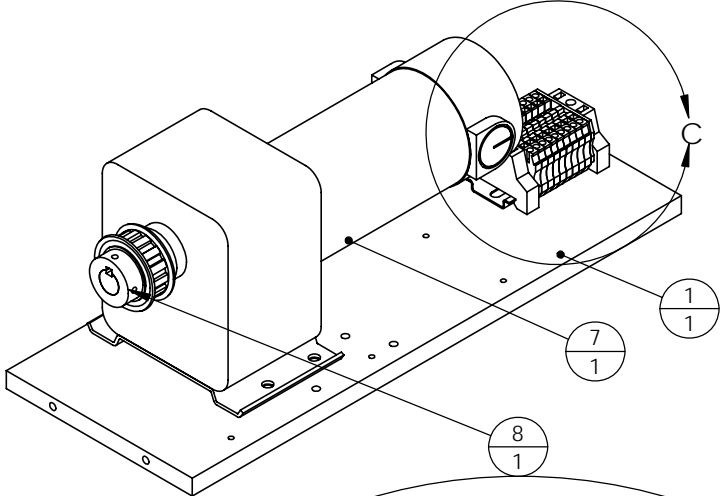


PITNEY BOWES
Sure-Feed Engineering

**SPEED UP CONVEYOR (Fig. 10-4)
 MOTOR ASSEMBLY (12021-045)**

ITEM	PART NO.	QTY.	DESCRIPTION
1	12011-005	1	PLATE, MOTOR MTG
2	98001-022	3"	DIN RAIL
3	98001-014	2	TERMINAL BLOCK, END STOP
4	98001-064	1	SIDE COVER, TERMINAL BLOCK
5	98001-061	1	TERMINAL, GROUND
6	98001-060	8	TERMINAL. SPRING BLOCK
7	99001-014	1	GEARMOTOR, 1/8HP-90VDC
8	99002-041	1	PULLEY, TIMING, 14L050
9	98010-184	10'	CABLE, 18GA-25 CONN (NOT SHOWN)
10	98010-019	2'	WIRE, 22AWG-7 CONN (NOT SHOWN)
11	98016-023	2	CONN, 2-POS FEMALE (NOT SHOWN)
12	98016-024	2	CONN, 2-POS MALE (NOT SHOWN)
13	98016-057	2	CONTACT, PIN (NOT SHOWN)
14	98016-056	2	CONTACT, SOCKET (NOT SHOWN)
15	98019-036	1	TERMINAL RING, ¼ (NOT SHOWN)
16			

PITNEY BOWES
Sure-Feed Engineering



PITNEY BOWES
Sure-Feed Engineering