

*PITNEY BOWES*

***FEEDMAX  
SHUTTLE FEEDER  
FM-SH-SJF  
Parts Manual  
PHOENIX INTEGRATION***



***DIRECT MAIL SOLUTIONS***

12050 49th STREET NORTH - CLEARWATER, FL. 33762-4301  
PHONE: 727.571.3330 - FAX: 727.571.3443 - TOLL FREE: 1.800.INSERTER  
web: [sure-feed.com](http://sure-feed.com)

## **VERSION HISTORY**

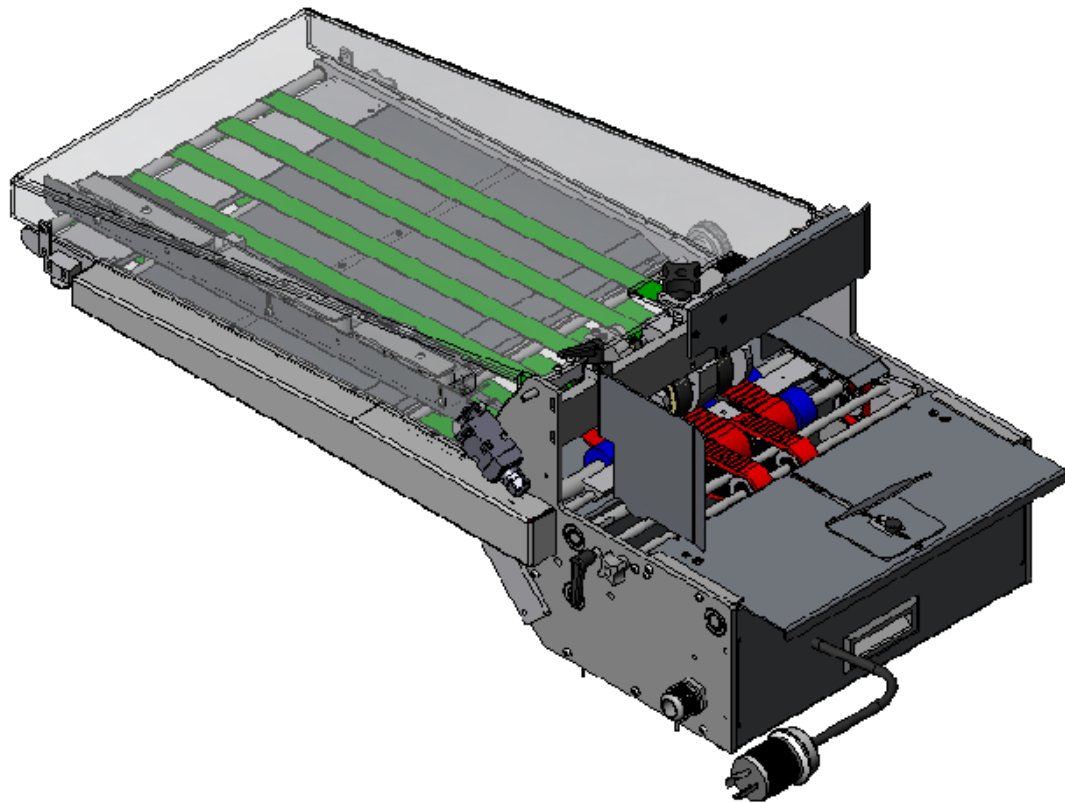
The table below summarizes the history of this document as it is published onto the company website(s). It identifies the version, date of issue and revisions and changes.

<b>VERSION</b>	<b>DATE</b>	<b>CHANGES</b>
FEEDMAX SHUTTLE FEEDER_ FM-SH-SJFrev0	4-13-09	Original issue

## **TABLE OF CONTENTS**

FEEDMAX SHUTTLE FEEDER (FIG 1).....	4-5
SEPARATOR [W/ SHROUD] (FIG 2).....	6-8
SEPARATOR W/ TONGUE [W/O SHROUD] (FIG 2-1).....	9
SEPARATOR (FIG 2-1A).....	10-11
TONGUE (FIG 2-1B).....	12
SHAFT ASSEMBLIES	
NIP SHAFT (FIG 3A).....	13
FRONT SHAFT (FIG 3B).....	14
IDLER SUPPORT SHAFT (FIG 3C).....	15
MAIN SHAFT (FIG 3D).....	16
JACK SHAFT (FIG 3E).....	17
ELEVATOR SHAFT (FIG 3F).....	18
CAM SHAFT (FIG 3G).....	19
TENSIONERS (FIG 3H).....	20
MOTOR (FIG 4).....	21
CHASSIS (FIG 5).....	22
RH SIDE FRAME (FIG 5A).....	23
LH SIDE FRAME (FIG 5B).....	24
VIBRATING TOP PLATE (FIG 6).....	25
EXT CONVEYOR (FIG 7).....	26-27
CHASSIS (FIG 7A).....	28
SIDE FRAMES (FIG 7A-1).....	29
CROWNED DRIVE SHAFT (FIG 7B).....	30
FRONT SHAFT (FIG 7C).....	31
BALL RACK ADJ SHAFTS (FIG 7D-1).....	32
BALL RACK (FIG 7D-2).....	33-34
TENSIONER (FIG 7E).....	35
COVER (FIG 7F).....	36
PAPER GUIDES (FIG 8).....	37
ACCESSORY KIT (FIG 9).....	38
ELECTRICAL (FIG 10).....	39

# ***FEEDMAX SHUTTLE FEEDER***

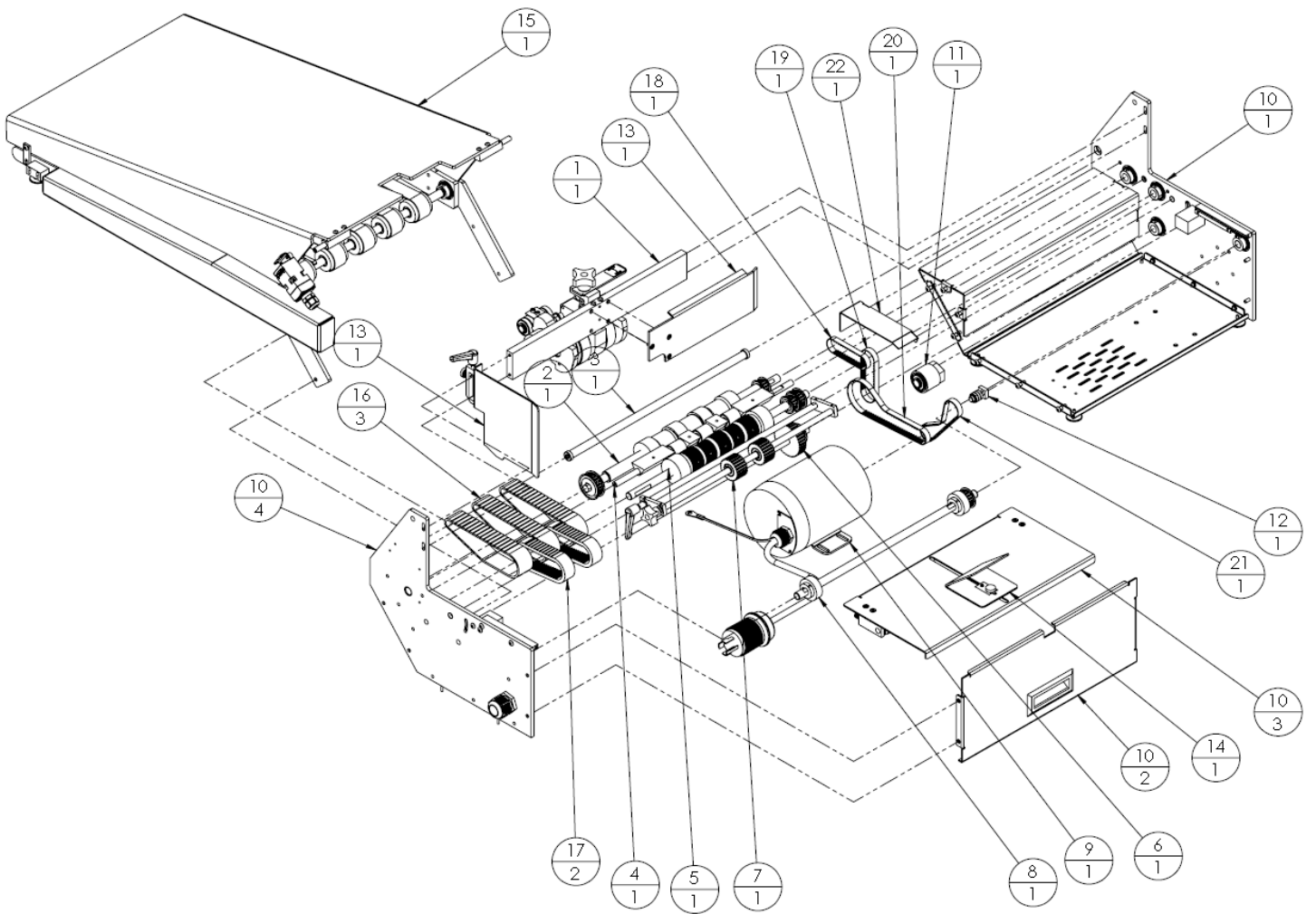


**FEEDMAX SHUTTLE FEEDER ASSEMBLY (Fig. 1)  
10022-027rA**

ITEM	PART NO.	QTY	DESCRIPTION
1	SEE FIG. 2-1		ASSY, 24V SEPARATOR W/ TONGUE (10020-454rA)
2	SEE FIG. 3A		ASSY, NIP SHAFT (10020-385)
3	SEE FIG. 3B		ASSY, FRONT SHAFT (10020-282)
4	SEE FIG. 3C		ASSY, IDLER SHAFT (10020-386)
5	SEE FIG. 3D		ASSY, MAIN SHAFT (10020-387)
6	SEE FIG. 3E		ASSY, JACK SHAFT (10020-388)
7	SEE FIG. 3F		ASSY, ELEVATOR SHAFT (10020-287)
8	SEE FIG. 3G		ASSY, CAM SHAFT (10020-344)
9	SEE FIG. 4		ASSY, MOTOR (10020-132)
10	SEE FIG. 5-6		ASSY, CHASSIS (10020-288)
11	SEE FIG. 3H		ASSY, TENSIONER (10020-131)
12	SEE FIG. 3H		ASSY, TENSIONER, CAM DRIVE (10020-267)
13	SEE FIG. 8		ASSY, SIDE GUIDE (10020-295)
14	SEE FIG.9		ASSY, REAR WEDGE OPTIONS (10020-134)
15	SEE FIG. 7		ASSY, EXT CONVEYOR (10020-291)
16	99000-133	3	BELT, RED GUM, GROOVED
17	99000-134	2	BELT, TIMING, ELEVATOR, GROOVED
18	99000-040	1	BELT, TIMING, 80XL037
19	99000-268	1	BELT, TIMING, 90XL037-steel re-inforced (old 99000-327)
20	99000-027	1	BELT, TIMING, 160XL037
21	99000-002	1	BELT, TIMING, 110XL037
22	10013-050	1	COVER, RH DRIVE

DWG REV A: tem 19 was 99000-327: to become 90XL037 (steel reinforced version)

**FIG. 1**



**FEEDMAX SHUTTLE FEEDER (Fig. 2)  
SEPARATOR ASSEMBLY (10020-454)**

ITEM	PART NO.	QTY.	DESCRIPTION
1	10007-001	1	BLOCK, SEPARATOR, 3" ROLLER
2	10003-002	1	CROSS BAR, 1200 IJ
3	10005-087	1	SIDE GUIDE, LH, LONG
3	10005-086	1	SIDE GUIDE, RH LONG (OPTION)
3	10005-101	1	SIDE GUIDE, LH SHORT (OPTION)
3	10005-102	1	SIDE GUIDE, RH SHORT (OPTION)
4	10005-085	1	GUIDE, FRONT, RH, 90 DEG
5	10011-001	1	PLATE, SEPARATOR MOTOR MTG.
6	99001-001	1	MOTOR, SEPARATOR
7	10006-001	2	WHEEL, SEPARATOR, 3"
8	10007-010	1	BLOCK, SEPARATOR ADJ.
9	10008-024	1	BAR, SEPARATOR RELEASE
10	99002-001	1	PULLEY, 100MXL025, NO HUB, 3/8 BORE
11	99002-002	1	PULLEY, 16MXL025, 3/16 BORE
12	10004-028	1	STUD, SEPARATOR ADJUSTING
13	10012-002	2	STANDOFF, SEPARATOR MOTOR
14	10005-003	1	SHROUD, SEPARATOR
15	10004-001	1	SHAFT, SEPARATOR
16	99004-001	1	KNOB, 5/16-24 FEMALE
17	10019-045	1	SPRING, COMPRESSION
18	99006-002	2	PIN, DOWEL, 5/16 X 3
19	99006-001	1	PIN, DOWEL, 3/8 X 1-1/4
20	10014-001	2	BELT, SEPARATOR, 3"
21	99000-006	1	BELT, TIMING, 115MXL025
22	10009-002	1	BRACKET, SIDE GUIDE MTG.
23	99004-003	2	HANDLE, RACHET, 10-24
24		2	SCREW, SKT HD, #10-24 X 5/8
25	99003-017	5	WASHER, NYLON, 3/8 X 1/16
26	99003-016	2	WASHER, NYLON, 3/8 X 1/32
27	99003-001	3	BEARING, SEALED, 3/8 X 7/8
28	99003-015	1	WASHER, NYLON, 5/16 X 1/16

**OBSOLETE**

**FEEDMAX FEEDER (Fig. 2)  
SEPARATOR ASSEMBLY**

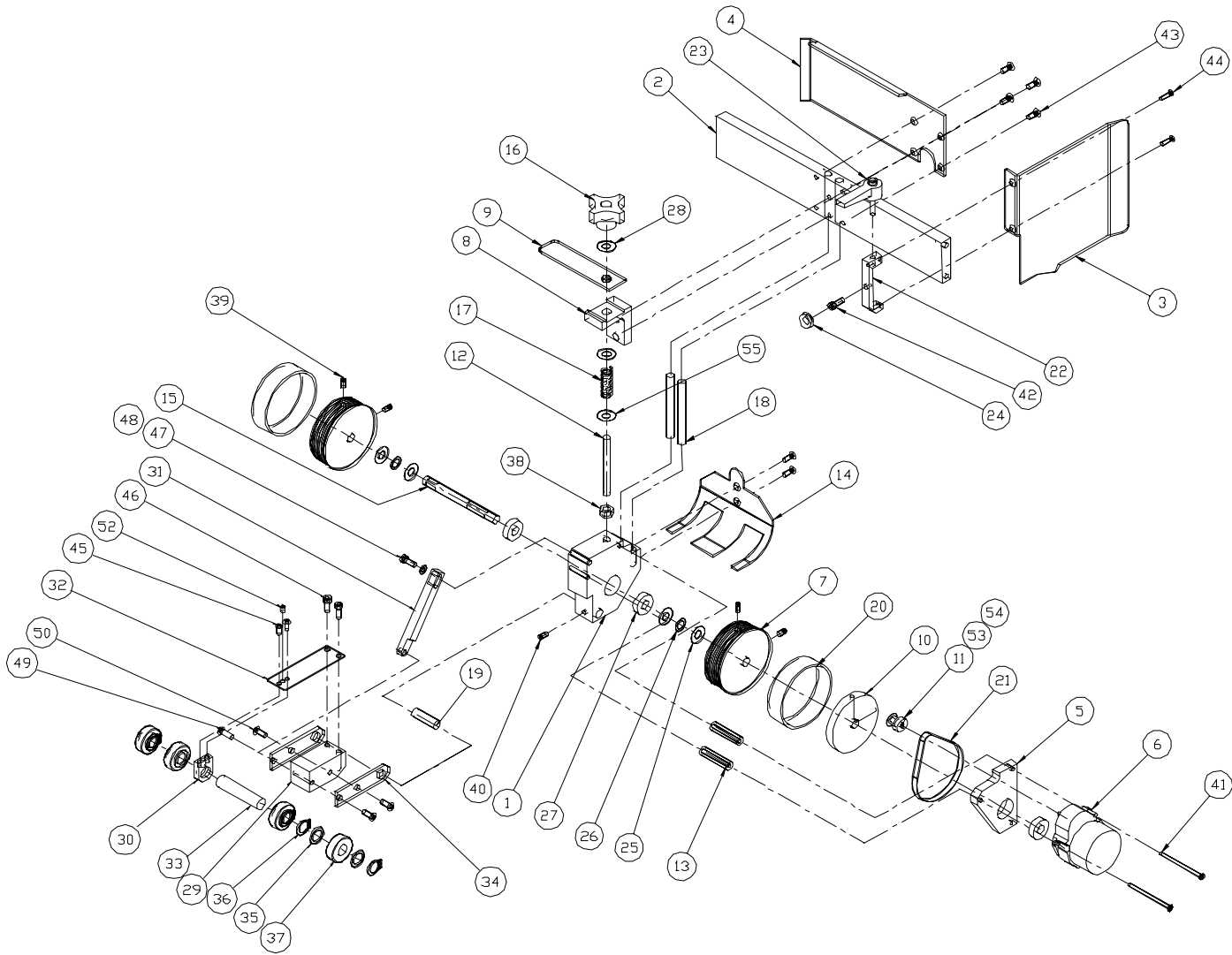
<b>ITEM</b>	<b>PART NO.</b>	<b>QTY.</b>	<b>DESCRIPTION</b>
29	10007-083	1	BLOCK, TONGUE SUPPORT
30	10007-084	1	BLOCK, NIP ROLLER MTG.
31	10008-072	1	BAR, TONGUE SUPPORT
32	10009-045	1	BRACKET, NIP ROLLER SUPPORT
33	10004-134	1	SHAFT, NIP ROLLER
34	10011-037	2	PLATE, TONGUE SUPPORT
35	99003-032	8	WASHER, NYLON, 1/2 X 1/32
36	99022-004	6	SNAP RING, 1/2
37	99003-108	4	BEARING, SHIELDED, 1/2 X 1-1/8
38		1	NUT, HEX HEAD, 5/16-24
39		4	SET SCREW, CUP, 10-32 X 3/8
40		1	SET SCREW, 8-32 X 1/8
41		2	SCREW, SKT HEAD, 6-32 X 2-1/2
42		1	SCREW, SKT HD, 10-24 X 3/8
43		4	SCREW, FLAT HEAD, 8-32 X 1/2
44		2	SCREW, FLAT HEAD, 6-32 X 5/16
45		2	SCREW, SKT HD, 8-32 X 3/8
46		2	SCREW, SKT HD, 10-24 X 5/8
47		1	SCREW, SKT HD, 10-32 X 3/4
48		1	LOCKWASHER, #10
49		1	SCREW, BUTTON HD, 10-24 X 3/4
50		3	SCREW, BUTTON HD, 10-24 X 1/2
51		1	FLAT WASHER, #8
52		1	SET SCREW, FLAT, 8-32 X 1/4
53		1	SET SCREW, CUP, 6-32 X 3/16
54		1	SET SCREW, FLAT, 6-32 X 3/16
55		1	WASHER, FLAT, 5/16

**OBSOLETE**



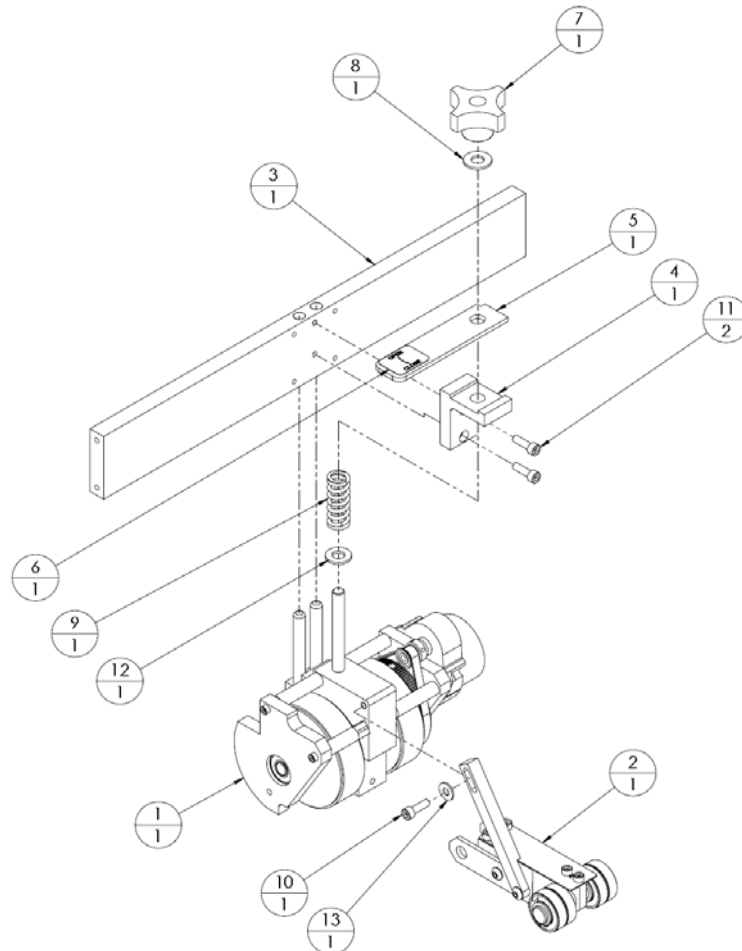
**FIG. 2**

**OBSOLETE**



**FEEDMAX SHUTTLE FEEDER (Fig. 2-1)  
24V SEPARATOR W/ TONGUE ASSEMBLY (10020-454rA)**

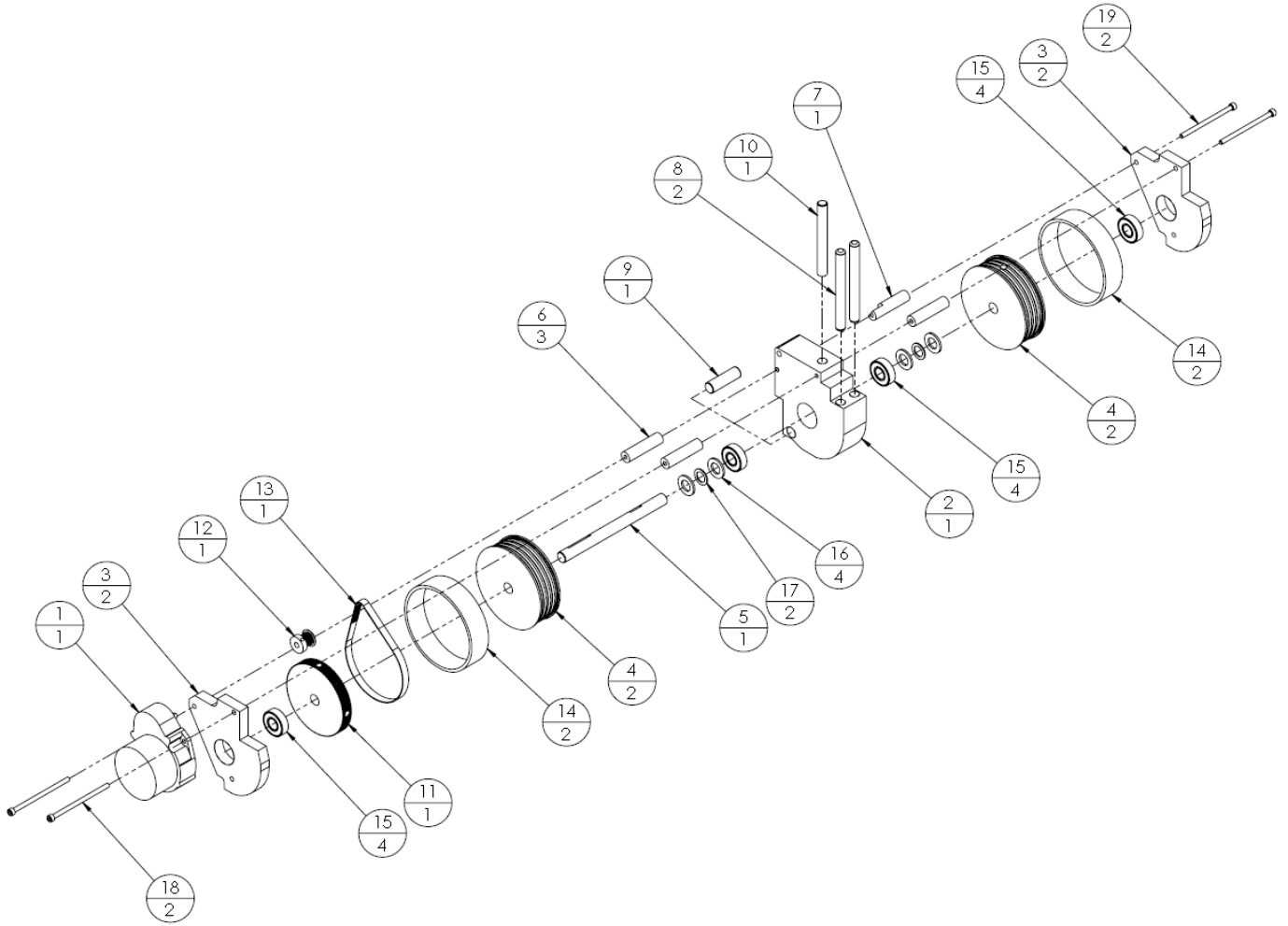
ITEM	PART NO.	QTY.	DESCRIPTION
1	10020-514	1	ASSY, SEPARATOR, SHROUDLESS, 24V, CW, (FIG 2-1A)
2	10020-160	1	ASSY, TONGUE (FIG 2-1B)
3	10003-018	1	CROSS BAR, 16" FMAX
4	10007-010	1	BLOCK, SEPARATOR ADJ.
5	10008-024	1	BAR, SEPARATOR RELEASE
6	18017-008	1	LABEL, FEEDER SEPARATOR ADJ
7	99004-001	1	KNOB, 5/16-24 FEMALE
8	99003-015	1	WASHER, NYLON, 5/16 X 1/16
9	99005-045	1	SPRING, COMPRESSION
10	-	1	SHCS, #10-32 X 5/8
11	-	2	SHCS, #10-24 X 5/8
12	-	1	FLAT WASHER, 5/16
13	-	1	FLAT WASHER, #10



**FEEDMAX SHUTTLE FEEDER (Fig. 2-1A)  
24V SEPARATOR W/ TONGUE ASSEMBLY (10020-514)**

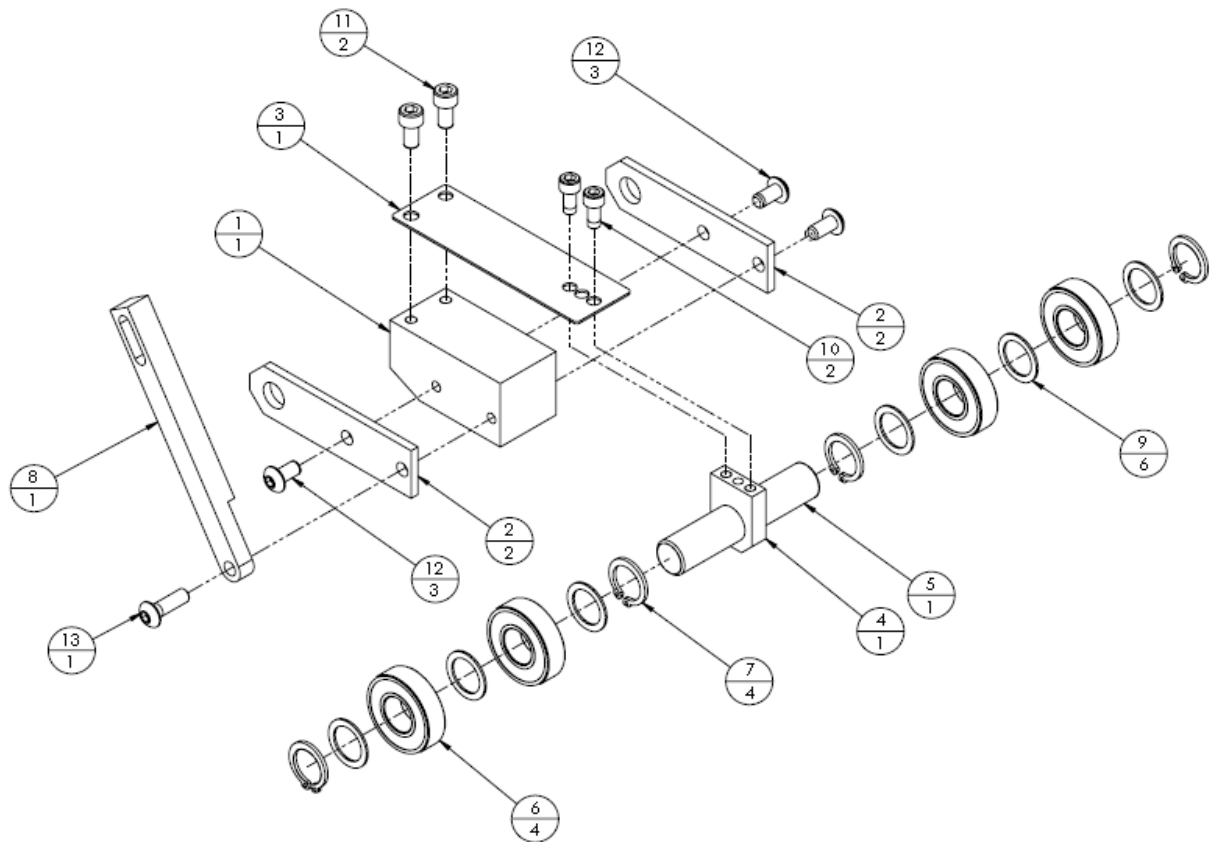
ITEM	PART NO.	QTY.	DESCRIPTION
1	10018-032	1	ASSY, SEP'R MOTOR, 24V, CW, 60 HZ
-	99001-018	1	MOTOR, SEPARATOR
-	98010-084	2 FT	CABLE, SHIELDED, 22/4
-	98020-029	1	CAPACITOR, 60 HZ
2	10007-142	1	BLOCK, DBL SEPARATOR W/O SHROUD
3	10011-083	1	PLATE, SEPARATOR
4	10006-001	2	WHEEL, SEPARATOR, 3"
5	10004-264	1	SHAFT, DBL SEPARATOR
6	10012-002	3	STANDOFF, SEPARATOR MOTOR
7	10012-046	1	STANDOFF, SEPARATOR MOTOR
8	99006-002	2	PIN, DOWELL, 5/16 X 3
9	99006-001	1	PIN, DOWEL, 3/8 X 1-1/4
10	10004-028	1	STUD, SEPARATOR ADJUSTING
11	99002-001	1	PULLEY, 100MXL025, NO HUB, 3/8 BORE
12	99002-002	1	PULLEY, 16MXL025, 3/16 BORE
13	99000-006	1	BELT, TIMING, 115MXL025
14	10014-001	2	BELT, SEPARATOR, 3"
15	99003-001	4	BEARING, SHIELDED, 3/8 X 7/8
16	99003-017	4	WASHER, NYLON, 3/8 X 1/16
17	99003-016	2	WASHER, NYLON, 3/8 X 1/32
18	-	2	SCREW, SKT HD, #6-32 X 2-1/2
19	-	2	SCREW, SKT HD, #6-32 X 2-1/4

**FIG 2-1A**



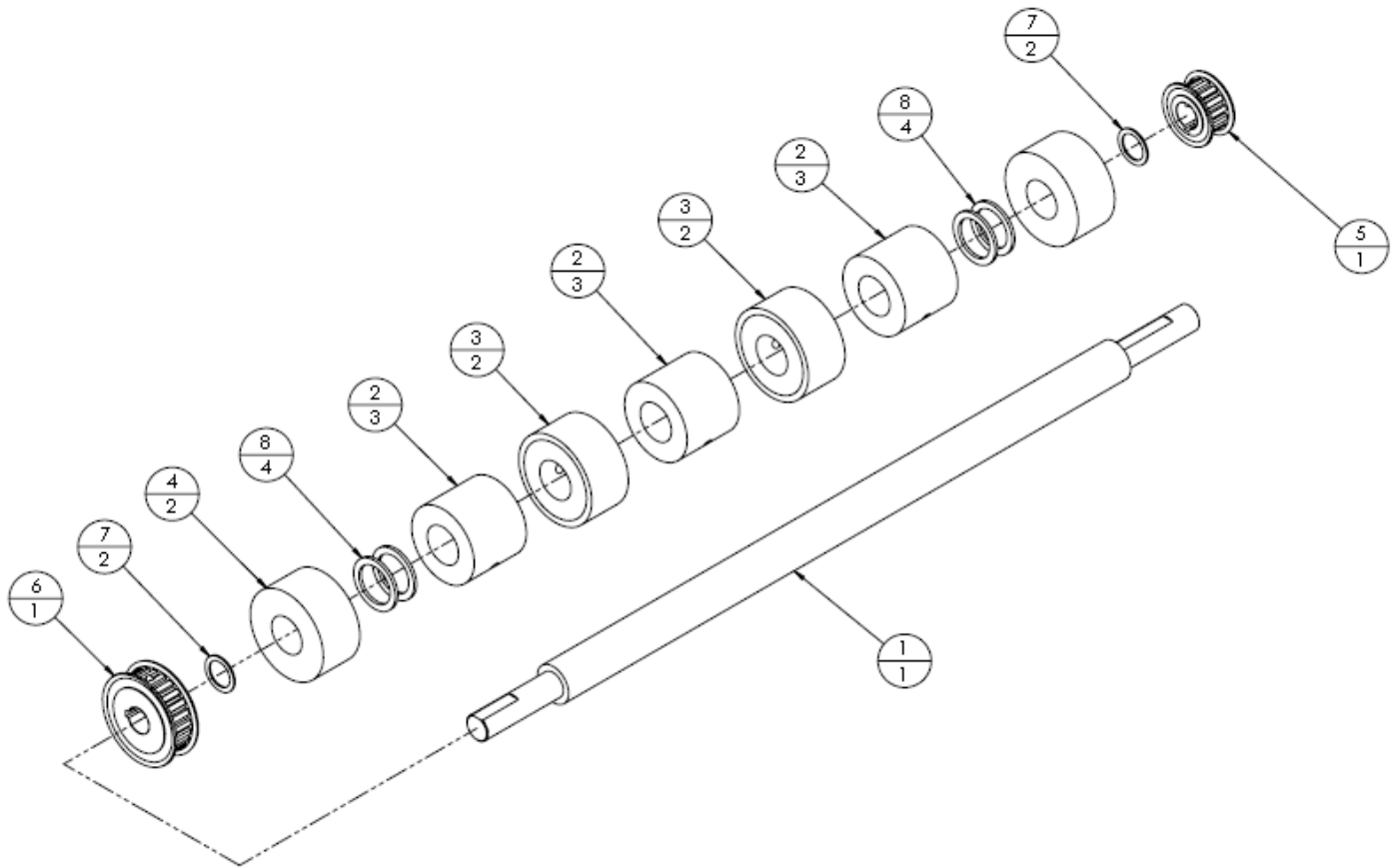
**FEEDMAX SHUTTLE FEEDER (Fig. 2-1B)  
TONGUE ASSEMBLY (10020-160)**

ITEM	PART NO.	QTY.	DESCRIPTION
1	10007-083	1	BLOCK, TONGUE SUPPORT
2	10011-037	2	PLATE, TONGUE SUPPORT
3	10009-045	1	BRACKET, NIP ROLLER
4	10007-084	1	BLOCK, NIP ROLLER MTG
5	10004-134	1	SHAFT, NIP ROLLER
6	99003-108	4	BEARING, SEALED, 1/2 X 1-1/8
7	99022-004	4	SNAP RING, 1/2
8	10008-072	1	BAR, TONGUE SUPPORT
9	99003-032	6	WASHER, NYLON, 1/2 X 1/32
10	-	2	SCREW, SKT HD, #8-32 X 3/8
11	-	2	SCREW, SKT HD, #10-24 X 3/8
12	-	3	SCREW, BUT HD, #10-24 X 3/8
13	-	1	SCREW, BUT HD, #10-24 X 5/8



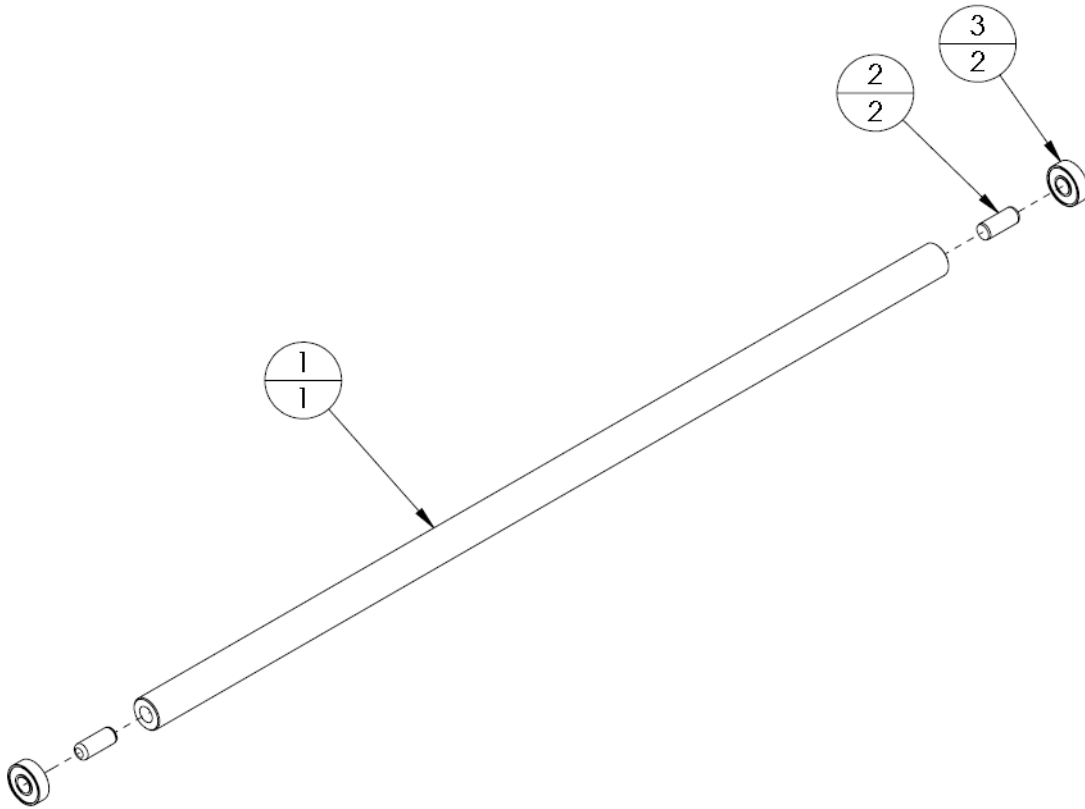
**FEEDMAX FEEDER (Fig. 3A)  
NIP SHAFT ASSEMBLY (10020-385)**

ITEM	PART NO.	QTY.	DESCRIPTION
1	10004-162	1	SHAFT, NIP
2	10006-071	3	PULLEY, MATE, 3/4 BORE
3	10006-070	2	ROLLER, NIP, 3/4 BORE
4	10006-069	2	ROLLER, FEEDER, 3/4 BORE
5	99002-149	1	PULLEY, TIMING, 15XL037, 1/2B
6	99002-031	1	PULLEY, TIMING, 24XL037 (NO HUB)
7	99003-032	2	WASHER, NYLON, 1/2 X 1/32
8	99003-082	4	WASHER, NYLON, 3/4 X 1/16



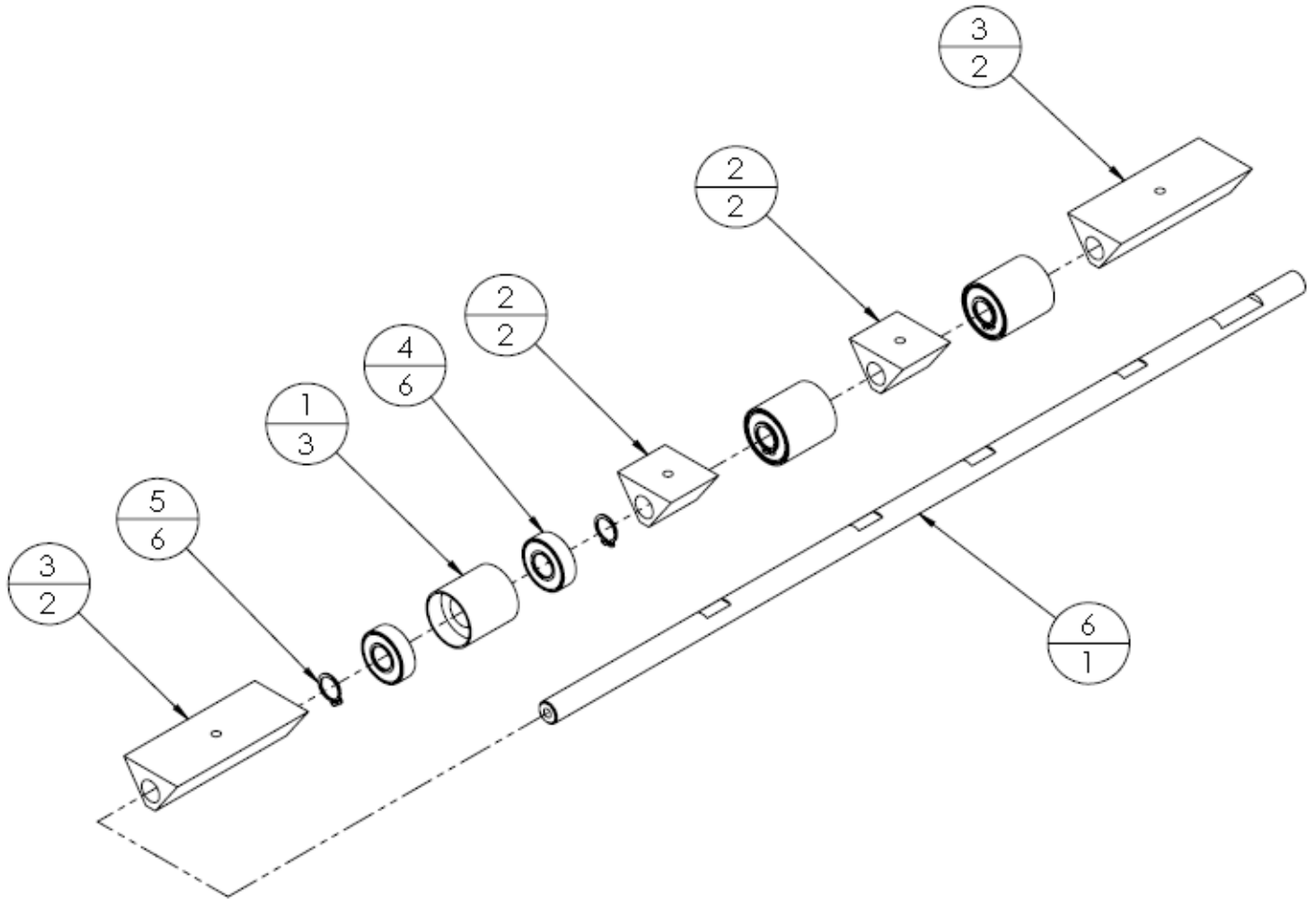
**FEEDMAX FEEDER (Fig. 3B)  
FRONT SHAFT ASSEMBLY (10020-282)**

ITEM	PART NO.	QTY.	DESCRIPTION
1	10004-161	1	SHAFT, FRONT
2	99003-056	2	BEARING, 1/4 X 5/8, R4RS
3	99006-028	2	PIN, DOWEL. 1/4 X 5/8



**FEEDMAX FEEDER (Fig. 3C)  
IDLER SUPPORT SHAFT ASSEMBLY (10020-386)**

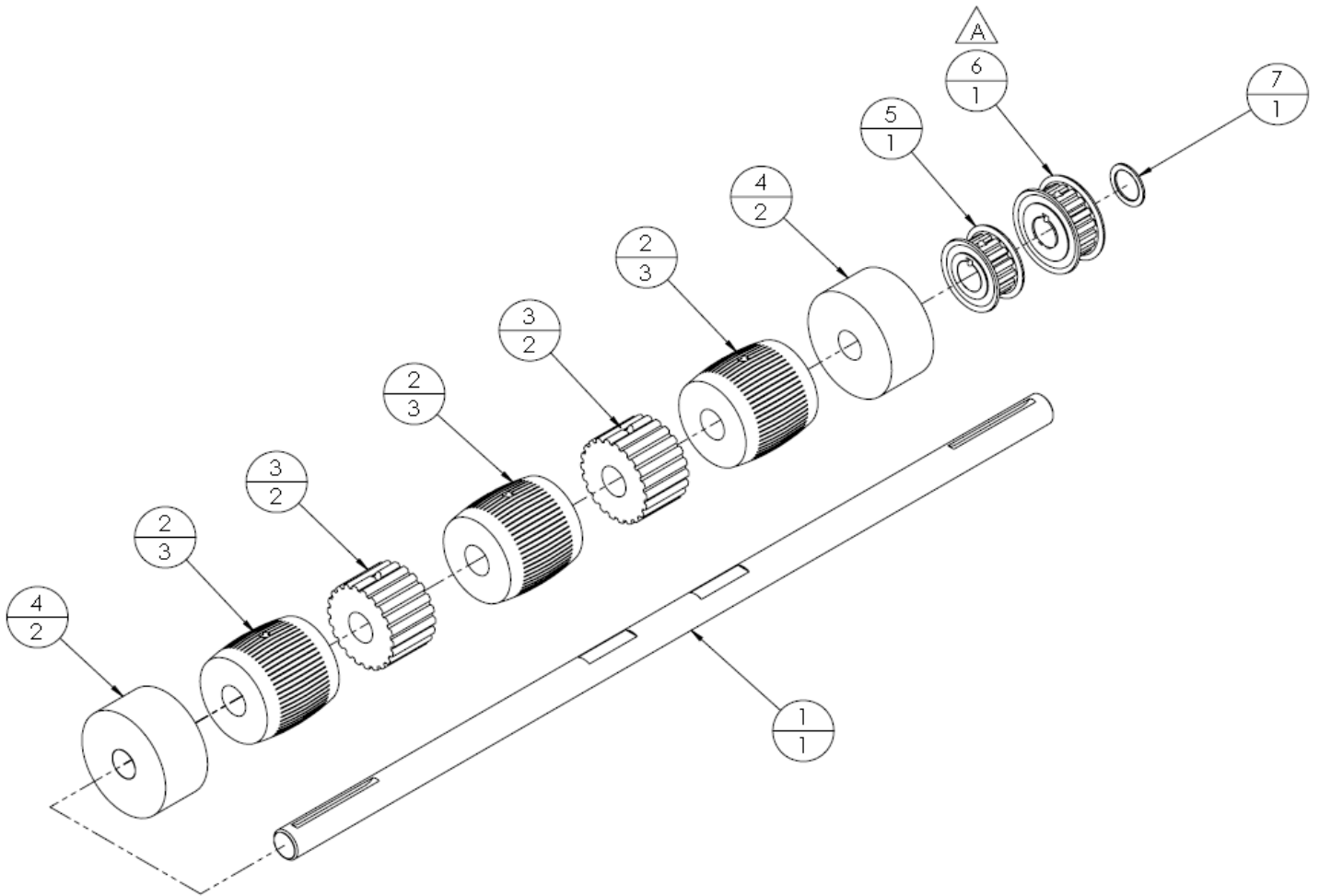
ITEM	PART NO.	QTY.	DESCRIPTION
1	10006-012	3	ROLLER, IDLER SUPPORT
2	10007-130	2	BLOCK, PINCH POINT, 1"
3	10007-131	2	BLOCK, PINCH POINT, 2-3/4"
4	99003-001	6	BEARING, 3/8 X 7/8
5	99022-003	6	SNAP RING, 3/8
6	10004-254	1	SHAFT, SUPPORT IDLER





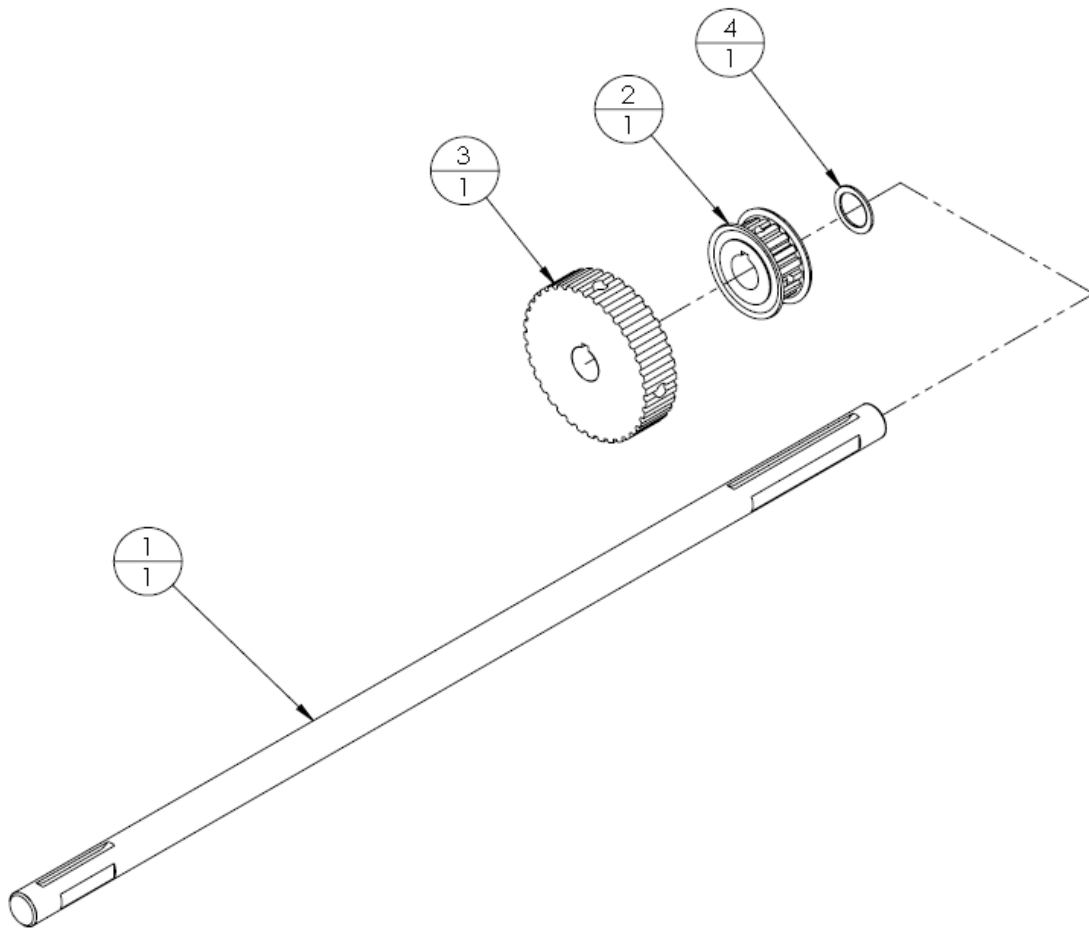
**FEEDMAX FEEDER (Fig. 3D)  
MAIN SHAFT ASSEMBLY (10020-387)**

ITEM	PART NO.	QTY.	DESCRIPTION
1	10004-164	1	SHAFT, ELEVATOR DRIVE
2	10006-018	3	PULLEY, CROWNED
3	10006-021	2	PULLEY, DRIVE ELEVATOR BELT
4	10006-007	2	ROLLER, FEEDER, 1/2 BORE
5	99002-149	1	PULLEY, TIMING, 15XL037, 1/2B
6	99002-026	1	PULLEY, TIMING, 18XL037
7	99003-032	1	WASHER, NYLON, 1/2 X 1/32



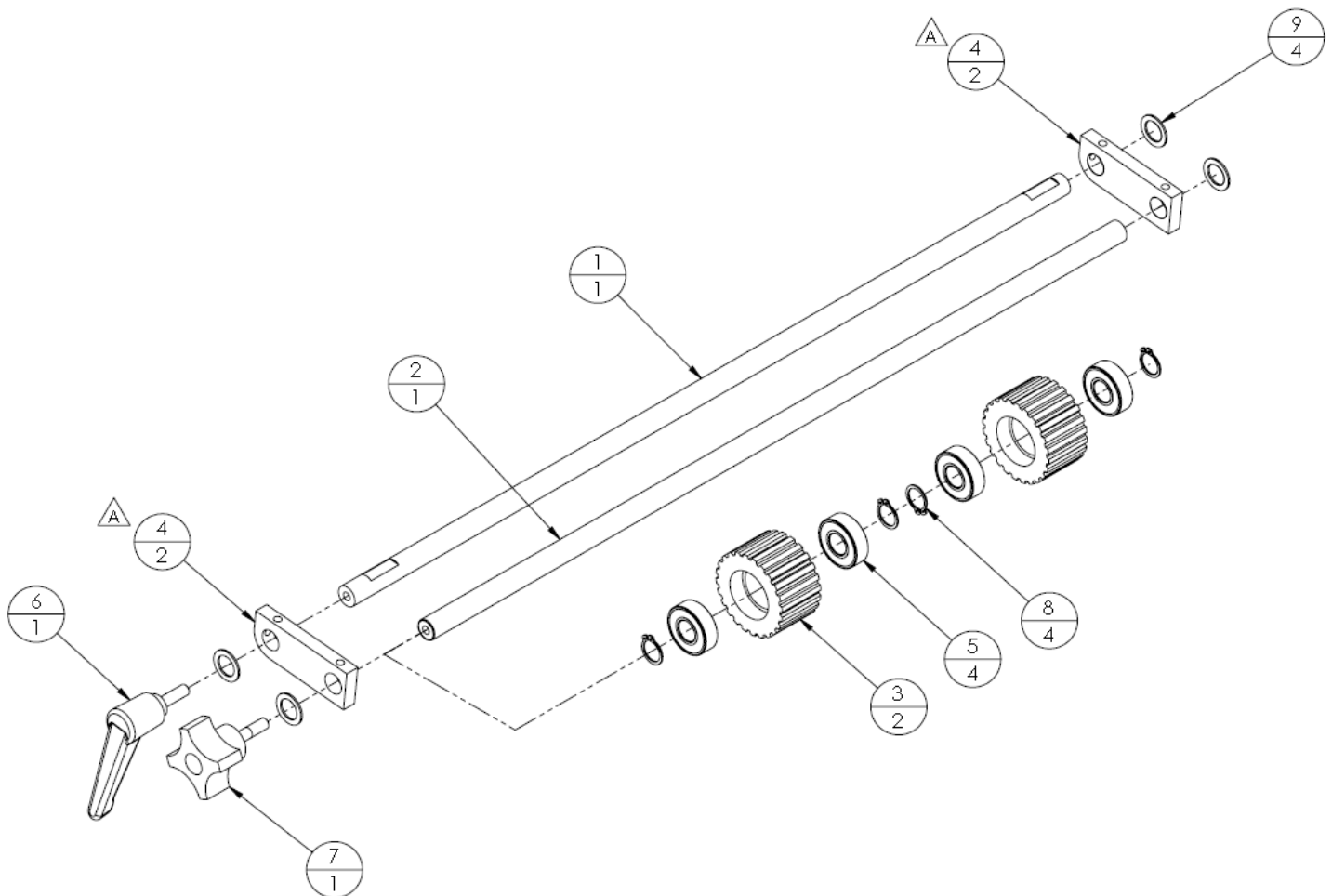
**FEEDMAX FEEDER (Fig. 3E)  
JACK SHAFT ASSEMBLY (10020-388)**

ITEM	PART NO.	QTY.	DESCRIPTION
1	10004-212	1	SHAFT, CAM
2	99002-026	1	PULLEY, TIMING, 18XL037, 1/2B
3	10006-066	1	PULLEY, TIMING, 36XL037 (NO HUB)
4	99003-032	2	WASHER, NYLON, 1/2 X 1/32



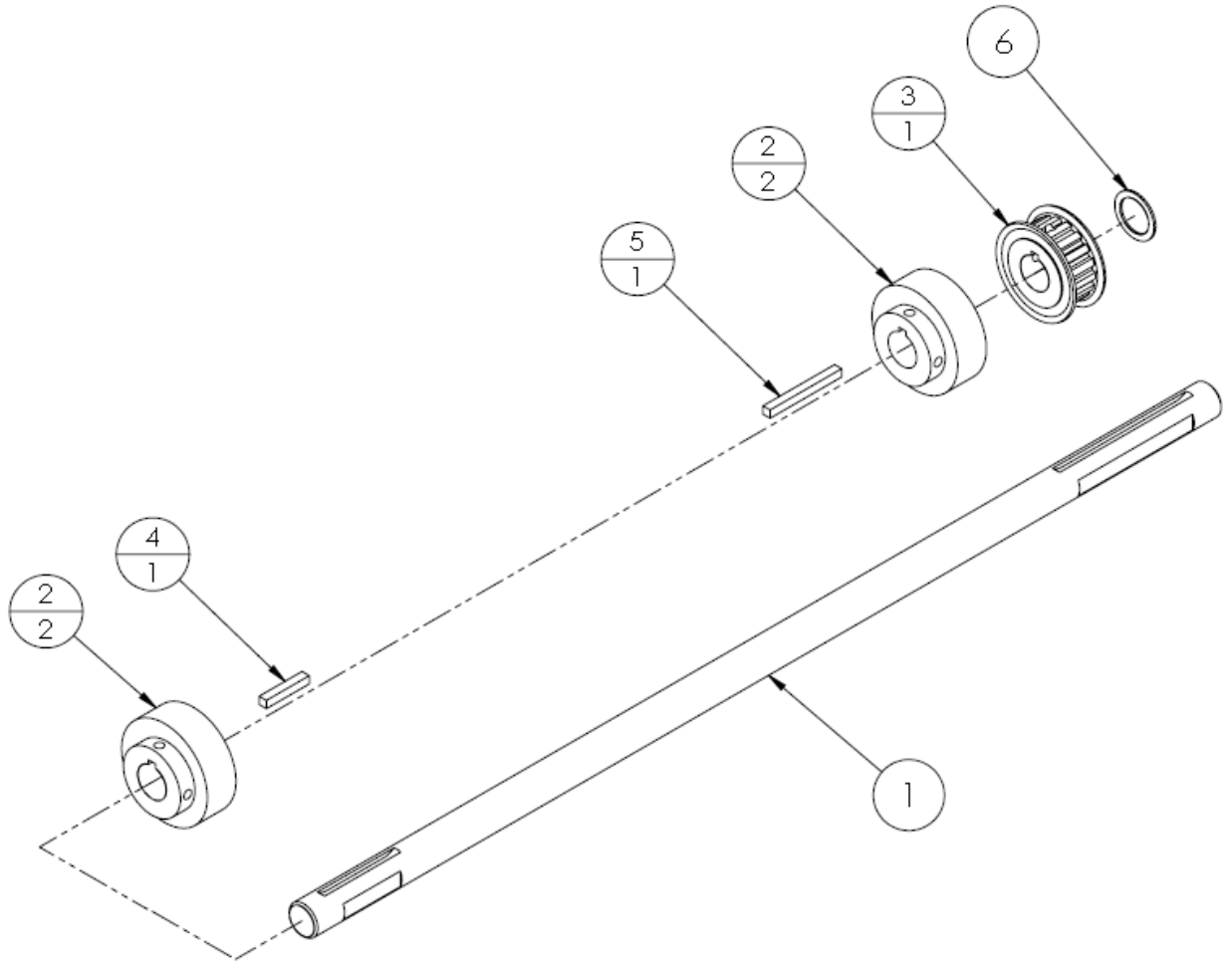
**FEEDMAX FEEDER (Fig. 3F)  
ELEVATOR SHAFT ASSEMBLY (10020-287)**

ITEM	PART NO.	QTY.	DESCRIPTION
1	10004-166	1	SHAFT, ELEVATOR ADJ
2	10004-163	1	SHAFT, IDLER SUPPORT
3	10006-022	2	PULLEY, IDLER, ELEVATOR BELT
4	10007-068	2	BLOCK, ELEVATOR BELT ADJ.
5	99003-001	4	BEARING, 3/8 X 7/8
6	99004-003	1	HANDLE, RACHET, 10-24
7	99004-019	1	KNOB, 10-24 X 3/4, MALE
8	99022-003	4	SNAP RING, 3/8
9	99003-016	4	WASHER, NYLON, 3/8 X 1/32



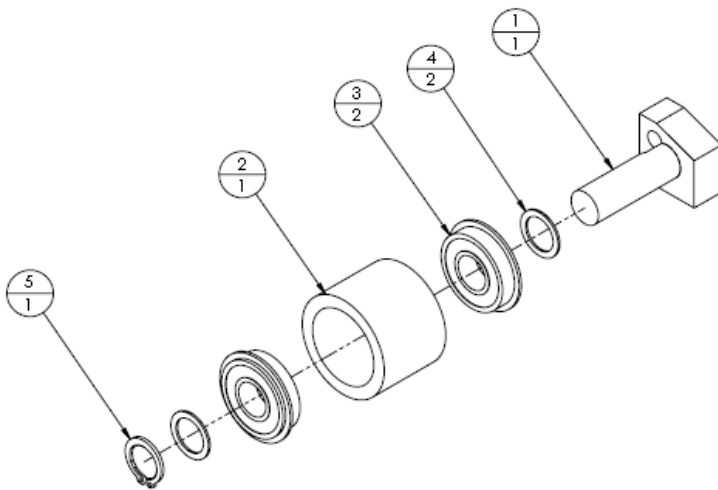
**FEEDMAX FEEDER (Fig. 3G)  
CAM SHAFT ASSEMBLY (10020-344)**

ITEM	PART NO.	QTY.	DESCRIPTION
1	10004-212	1	SHAFT, CAM
2	10006-048	2	CAM, VIBRATING TOP PLATE
3	99002-026	1	PULLEY, TIMING, 18XL037, 1/2B
4	99034-003	1	KEY, SQ, 1/8 X 3/4
5	99034-005	1	KEY, SQ, 1/8 X 1.25
6	99003-032	1	WASHER, NYLON, 1/2 X 1/32



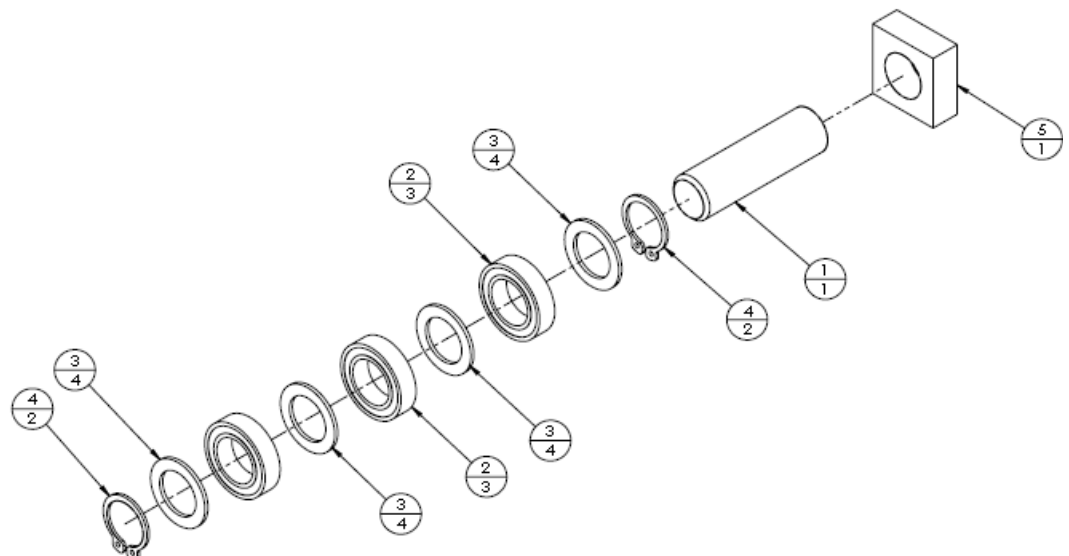
**FEEDMAX FEEDER (Fig. 3H)  
TENSIONER ASSEMBLIES**

ITEM	PART NO.	QTY.	DESCRIPTION
<b>REF</b>	<b>10020-131</b>	<b>1</b>	<b>ASSY, TENSIONER SHAFT</b>
1	18004-022	1	SHAFT, ECCENTRIC IDLER, 1/2
2	18006-012	1	PULLEY, IDLER FLAT
3	99003-007	2	BEARING, 1/2 X 1-1/8
4	99003-032	2	WASHER, NYLON, 1/2 X1/32
5	99022-004	1	SNAP RING, 1/2
<b>REF</b>	<b>10020-267</b>	<b>1</b>	<b>ASSY, TENSIONER, CAM</b>
1	21004-002	1	SHAFT, ECCENTRIC IDLER, 3/8
2	99003-079	3	BEARING, 3/8 X 5/8 X 5/32
3	99003-016	4	WASHER, NYLON, 3/8 X1/32
4	99022-003	2	SNAP RING, 3/8
5	10007-011	1	BLOCK, IDLER SUPPORT



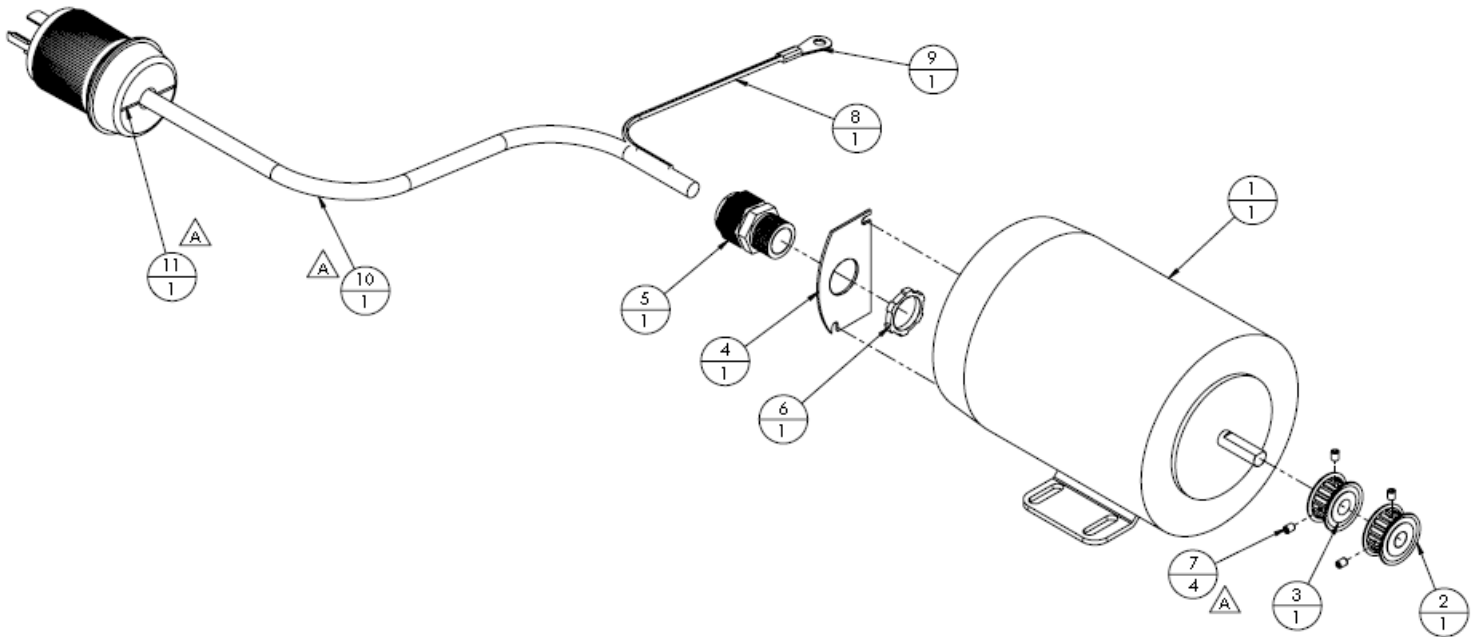
10020-131

10020-267



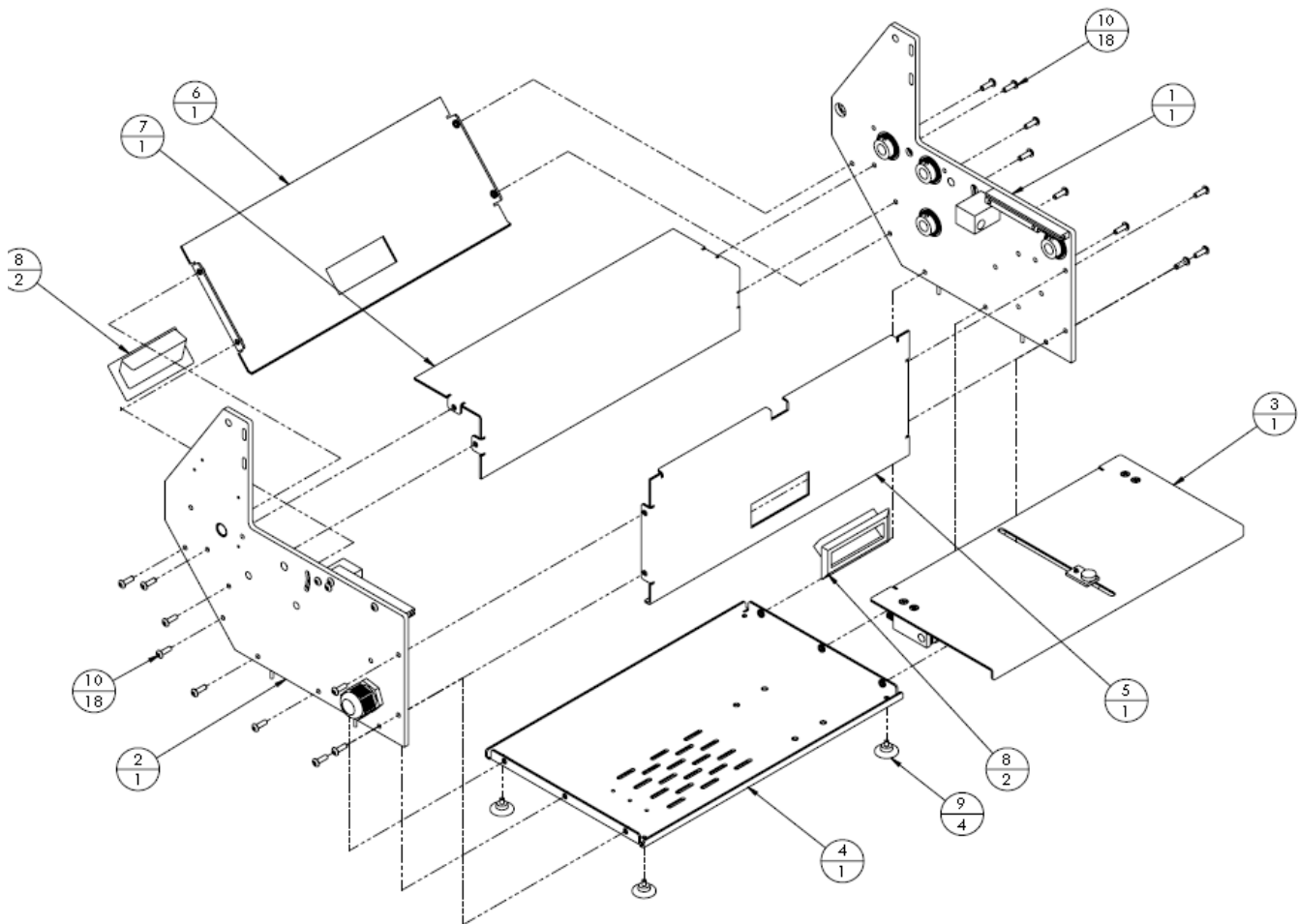
**FEEDMAX FEEDER (Fig. 4)  
MOTOR ASSEMBLY (10020-132rA)**

ITEM	PART NO.	QTY.	DESCRIPTION
1	99001-012	1	MOTOR, 1/6HP, 42 FRAME
2	99002-030	1	PULLEY, TIMING, 16 XL037-3/8B
3	99002-108	1	PULLEY, TIMING, 15XL037-3/8B
4	16001-048	1	BACK PLATE, MOTOR
5	98015-001	1	STRAIN RELIEF, 1/2"
6	98015-003	1	LOCKNUT, 1/2"
7	-	4	SET SCREW, FLAT, #8-32 X 1/4
8	-	8"	WIRE, 16 GA, GRN/YEL
9	-	1	RING TERMINAL, 1/4
10	98010-017	1	CABLE, 16/3, SJOW, BLACK
11	98003-027	6 FT	PLUG, TWISTLOCK, 20A, 250VAC



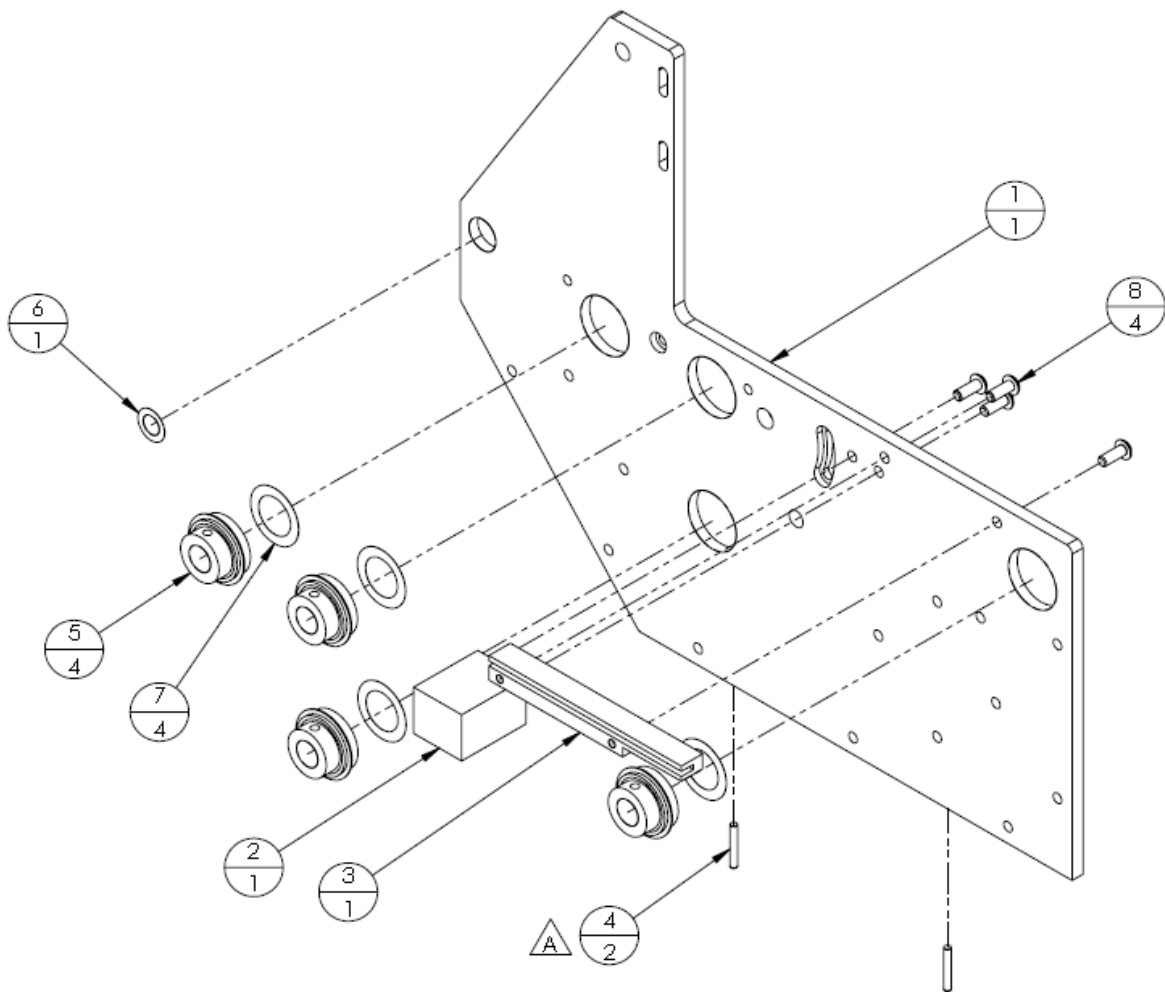
**FEEDMAX FEEDER (Fig. 5)  
CHASSIS ASSEMBLY (10020-288)**

ITEM	PART NO.	QTY.	DESCRIPTION
1	10020-289	1	ASSY, SIDEFAME, RH (FIG 5A)
2	10020-290	1	ASSY, SIDEFAME, LH (FIG 5B)
3	10020-394	1	ASSY, VIBRATING TOP PLATE (FIG 5C)
4	10002-022	1	COVER, BOTTOM
5	10001-043	1	COVER, REAR
6	10001-042	1	COVER, FRONT
7	10001-044	1	COVER, ELECTRONICS
8	99012-006	2	HANDLE, POCKET PULL
9	99007-001	4	FOOT, SUCTION CUP, #8-32
10	-	18	SBHCS, #10-24 X 5/8



**FEEDMAX FEEDER (Fig. 5A)  
RH SIDEFRAE ASSEMBLY (10020-289)**

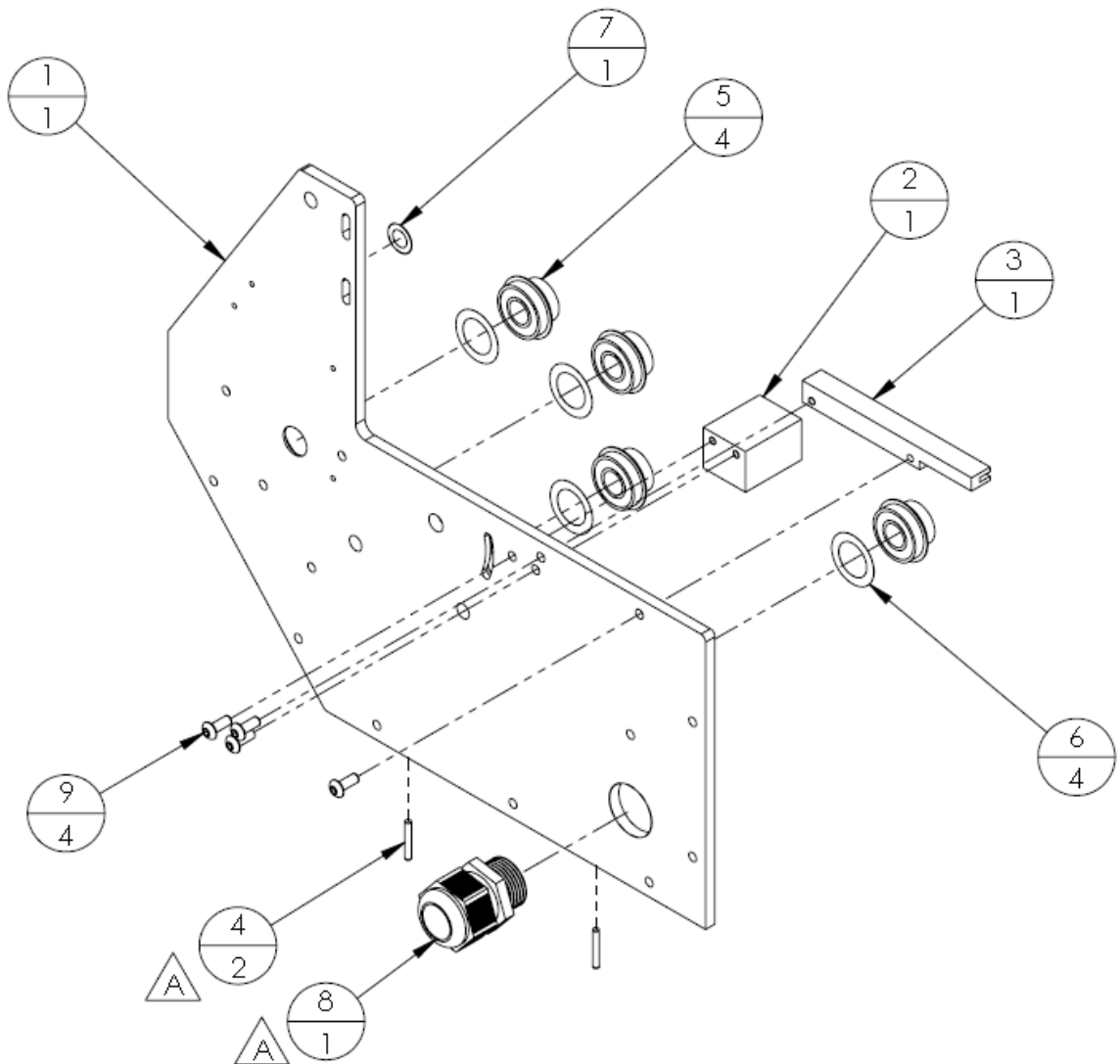
ITEM	PART NO.	QTY.	DESCRIPTION
1	10000-044	1	SIDE FRAME, RH, FEEDMAX
2	10007-054	1	BLOCK, CAM SPRING ANCHOR, RH
3	10007-052	1	BLOCK, CHANNEL, RH
4	99006-041	2	PIN, SPRING 1/8 X 7/8
5	99003-093	4	BEARING, 1/2 X 1-1/8 W/LOCKING COLLAR
6	99036-005	1	SHIM, ARBOR, 3/8 X 5/8
7	99036-003	4	SHIM, BEARING, 3/4 X 1-1/8
8	-	4	SBHCS, #10-24 X 1/2





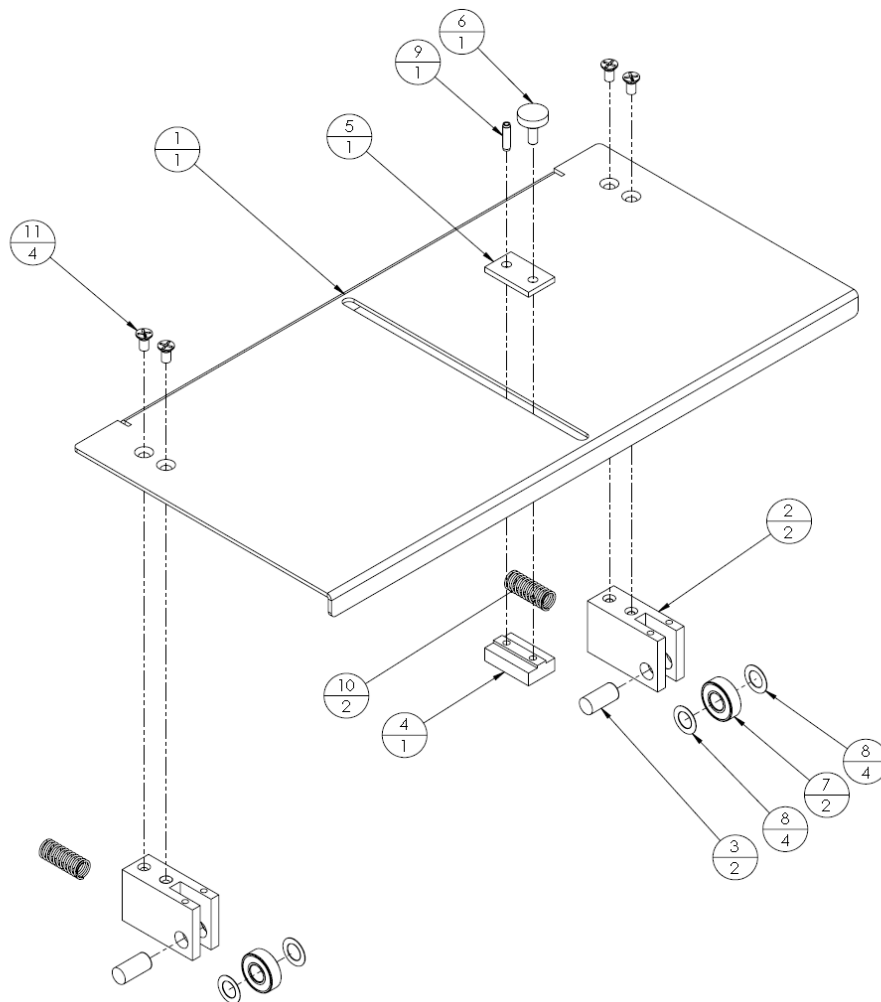
**FEEDMAX FEEDER (Fig. 5B)  
LH SIDEFRAE ASSEMBLY (10020-290rA)**

ITEM	PART NO.	QTY.	DESCRIPTION
1	10000-043	1	SIDE FRAME, LH, FEEDMAX
2	10007-053	1	BLOCK, CAM SPRING ANCHOR, LH
3	10007-051	1	BLOCK, CHANNEL, LH
4	99006-041	2	PIN, SPRING 1/8 X 7/8
5	99003-093	4	BEARING, 1/2 X 1-1/8 W/LOCKING COLLAR
6	99036-003	4	SHIM, BEARING, 3/4 X 1-1/8
7	99036-005	1	SHIM, ARBOR, 3/8 X 5/8
8	98015-002	1	STRAIN RELIEF, 3/4
9	-	4	SBHCS, #10-24 X 1/2



**FEEDMAX FEEDER (Fig. 6)  
VIBRATING TOP PLATE ASSEMBLY (10020-394)**

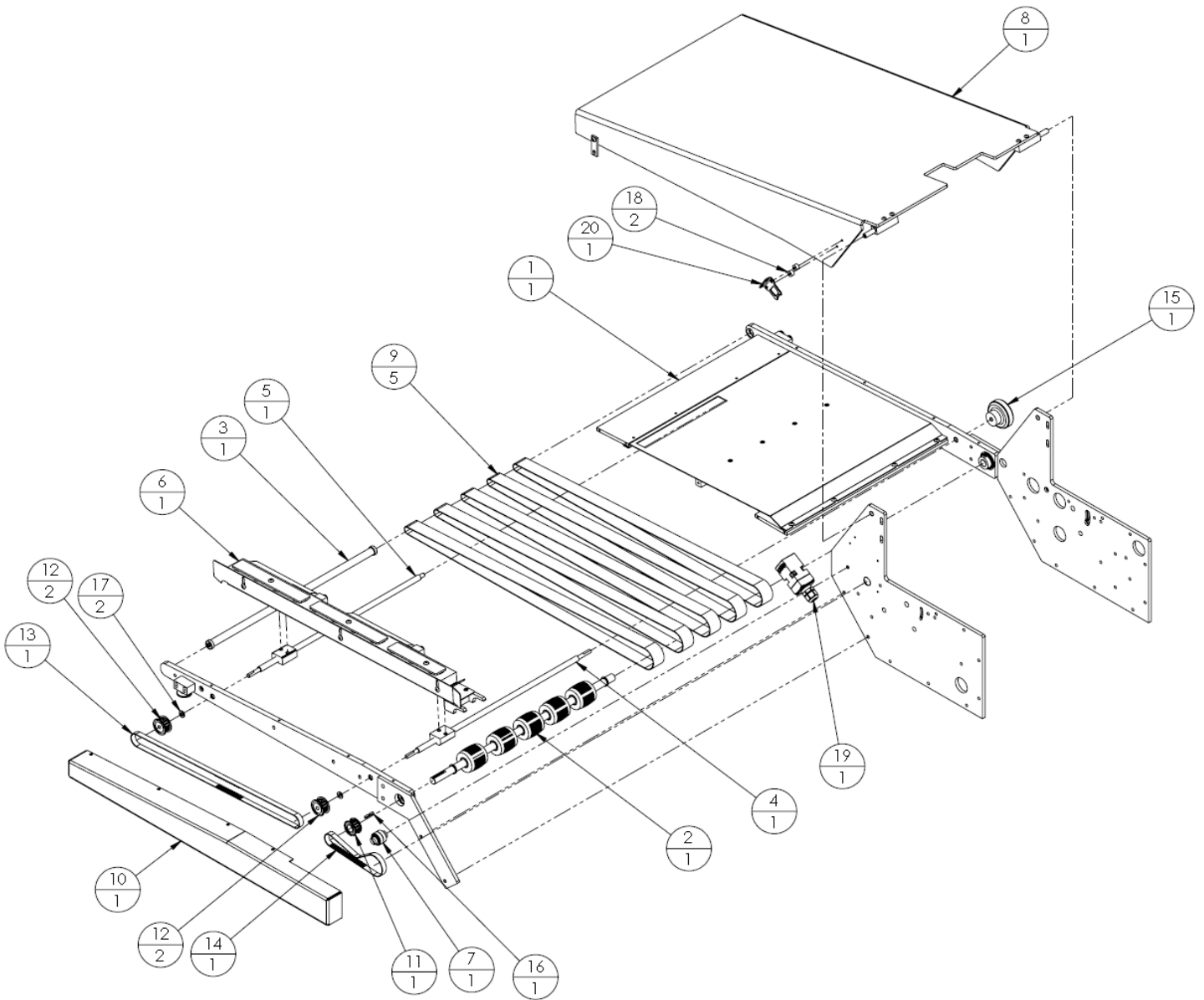
ITEM	PART NO.	QTY.	DESCRIPTION
1	10011-053	1	COVER, TOP PLATE (VIBRATING)
2	10007-055	2	BLOCK, CAM FOLLOWER MTG.
3	10004-115	2	SHAFT, ROLLER
4	10007-003	1	NUT, PLATE SLIDE
5	10007-004	1	WASHER, PAPER SLIDE
6	10020-317	1	ASSY, KNOB, #10-24 X 1/2
7	99003-001	2	BEARING, 3/8 X 7/8, SHIELDED
8	99036-027	4	SHIM, 3/8 X 5/8 X .012
9	99006-050	1	ROLL PIN, 5/32 X 5/8
10	99005-006	2	SPRING, ACCELERATOR ADJ
11	-	4	SFHCS, #10-24 X 3/8



**FEEDMAX FEEDER (Fig. 7)**  
**16" FEEDMAX EXT CONVEYOR ASSEMBLY (10020-291)**

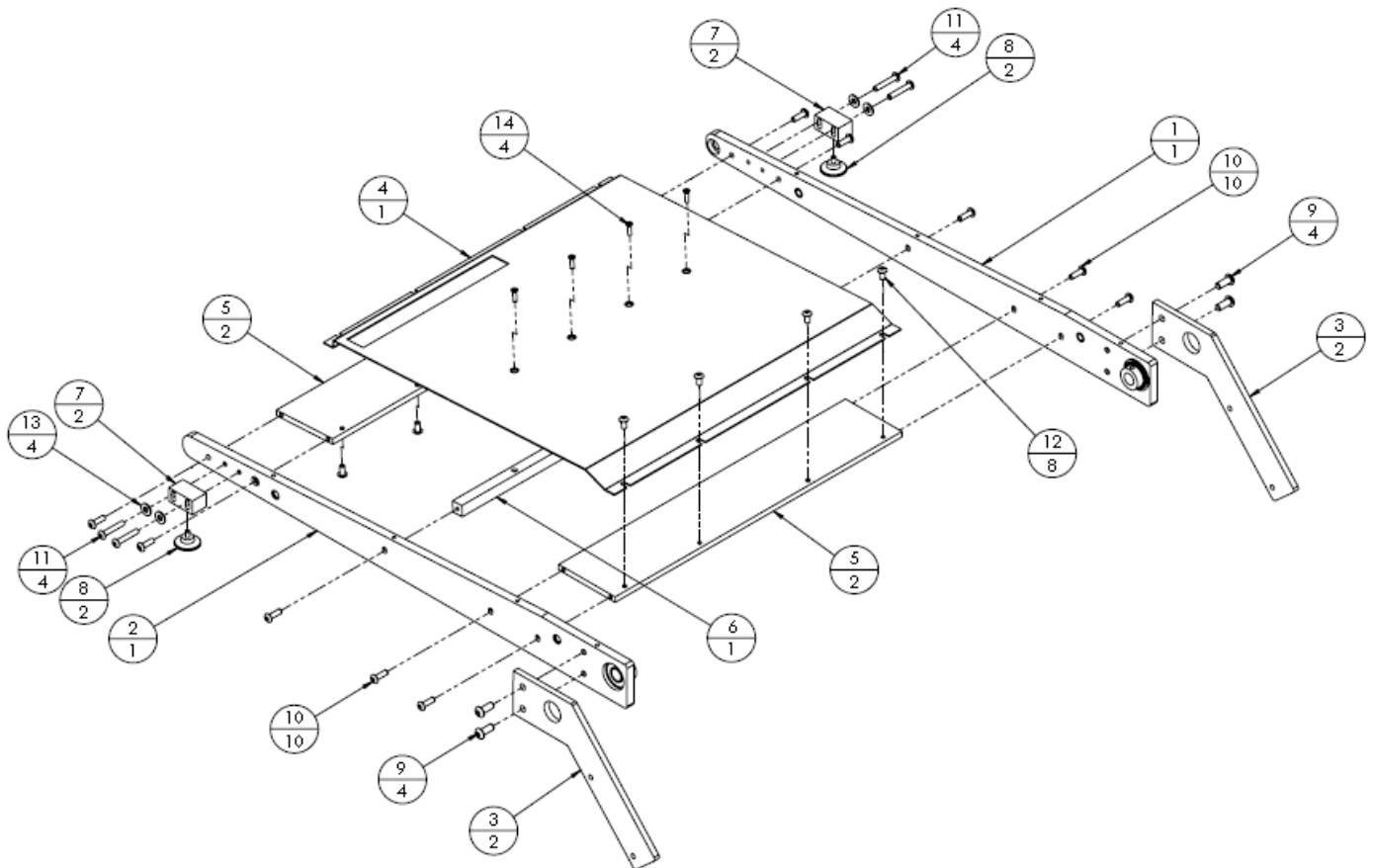
<b>ITEM</b>	<b>PART NO.</b>	<b>QTY.</b>	<b>DESCRIPTION</b>
1	10020-397	1	ASSY, CHASSIS (FIG 7A)
2	10020-294	1	ASSY, CROWNED DRIVE SHAFT (FIG 7B)
3	10020-292	1	ASSY, FRONT SHAFT, EXT CONVEYOR (FIG 7C)
4	10020-399	1	ASSY, BALL RACK ADJ SHAFT (FIG 7D-1)
5	10020-401	1	ASSY, SEC. BALL RACK ADJ SHAFT (FIG 7D-1)
6	10020-293	1	ASSY, BALL RACK (FIG 7D-2)
7	10020-172	1	ASSY, TENSIONER-EXT (FIG 7E)
8	10020-403	1	ASSY, LEXAN COVER (FIG 7F)
9	99000-139	5	BELT, ENDLESS, 1" X 47"
10	10013-012	1	COVER, BELT
11	99002-028	1	PULLEY, TIMING, 14XL037, 1/2 BORE
12	99002-080	2	PULLEY, TIMING, 15XL037, 1/4 BORE
13	99000-143	1	BELT, TIMING, 330XL037
14	99000-165	1	BELT, TIMING, 126XL037
15	21019-003	1	KNOB, ADJ, 1/4 BORE
16	10019-008	1	KEY, MODIFIED 1/8
17	99003-013	2	WASHER, NYLON, 1/4 X 1/16
18	10012-042	2	SPACER, TUV SWITCH
19	98000-079	1	SWITCH, DOOR INTERLOCK
20	98000-080	1	KEY, DOOR INTERLOCK

FIG 7



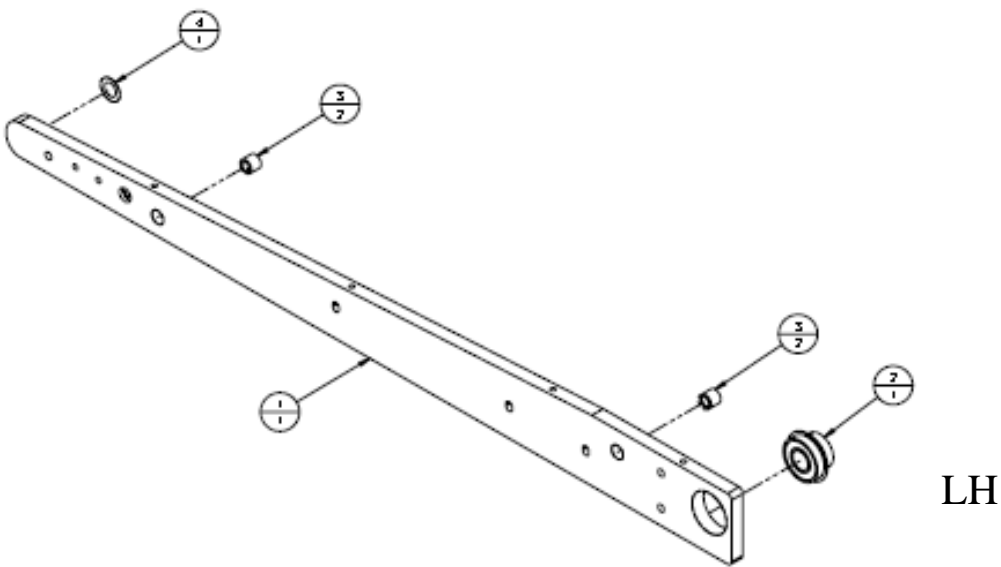
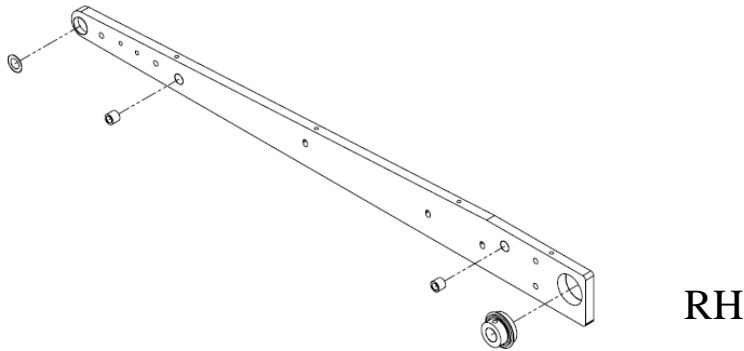
**FEEDMAX FEEDER (Fig. 7A)  
FEEDMAX EXT CONVEYOR-CHASSIS ASSEMBLY (10020-397)**

ITEM	PART NO.	QTY.	DESCRIPTION
1	10020-395	1	ASSY, RH SIDE FRAME
2	10020-396	1	ASSY, LH SIDE FRAME
3	10009-042	2	BRACKET, EXTENSION CONVEYOR MTG.
4	10002-019	1	DECK PLATE
5	10008-087	2	BAR, SUPPORT
6	10008-096	1	BAR, DECKPLATE SUPPORT
7	10009-041	2	BRACKET, CONVEYOR ADJ.
8	99007-001	2	FOOT, SUCTION CUP
9	-	4	SBHCS, 1/4-20 X 5/8
10	-	10	SBHCS, #10-24 X 5/8
11	-	4	SBHCS, #10-24 X 1
12	-	8	SBHCS, #10-24 X 3/8
13	-	4	FLAT WASHER, #10
14	-	4	SFHCS, #6-32 X 1/2



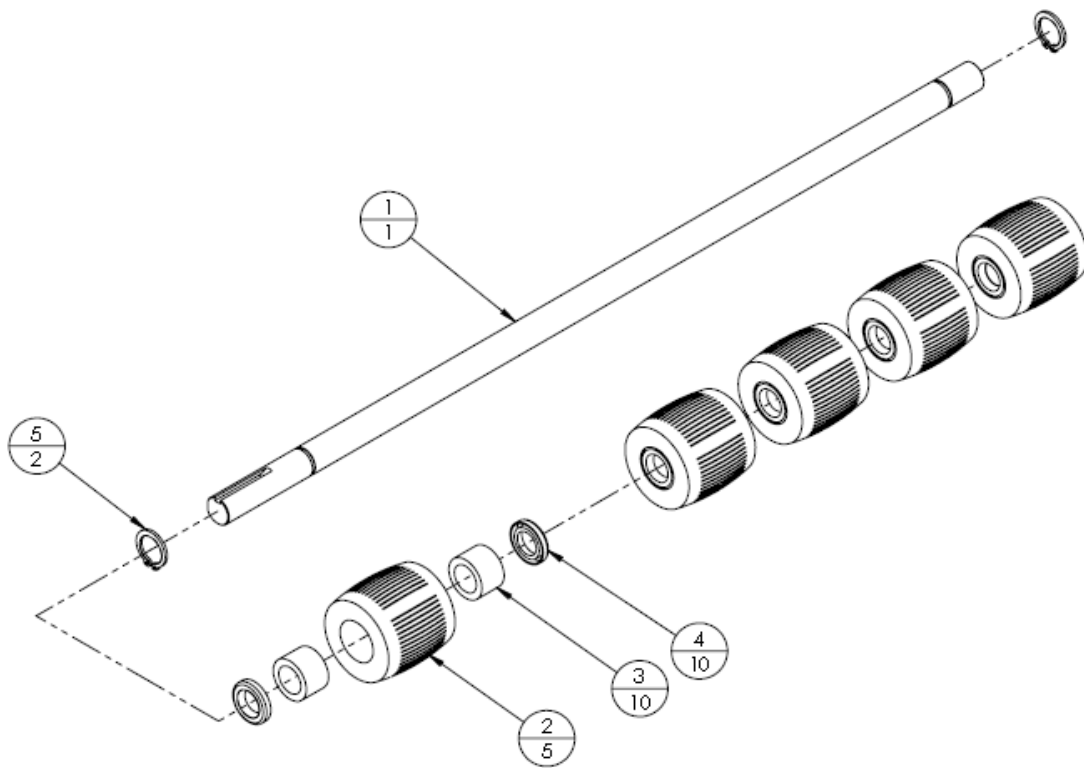
**FEEDMAX FEEDER (Fig. 7A-1)  
EXT CONVEYOR-SIDE FRAME ASSEMBLIES**

ITEM	PART NO.	QTY.	DESCRIPTION
<b>REF</b>	<b>10020-395</b>	<b>1</b>	<b>ASSY, RH SIDE FRAME</b>
1	10000-051	1	SIDEFAME, EXTENSION CONVEYOR, RH
2	99003-093	1	BEARING, 1/2 X 1-1/8 W/LOCKING COLLAR
3	99003-005	2	BUSHING, SLEEVE, 1/4 X 3/8
4	99036-005	1	SHIM, ARBOR 3/8 X 5/8
<b>REF</b>	<b>10020-396</b>	<b>1</b>	<b>ASSY, LH SIDE FRAME</b>
1	10000-052	1	SIDEFAME, EXTENSION CONVEYOR, LH
2	99003-093	1	BEARING, 1/2 X 1-1/8 W/LOCKING COLLAR
3	99003-005	2	BUSHING, SLEEVE, 1/4 X 3/8
4	99036-005	1	SHIM, ARBOR 3/8 X 5/8



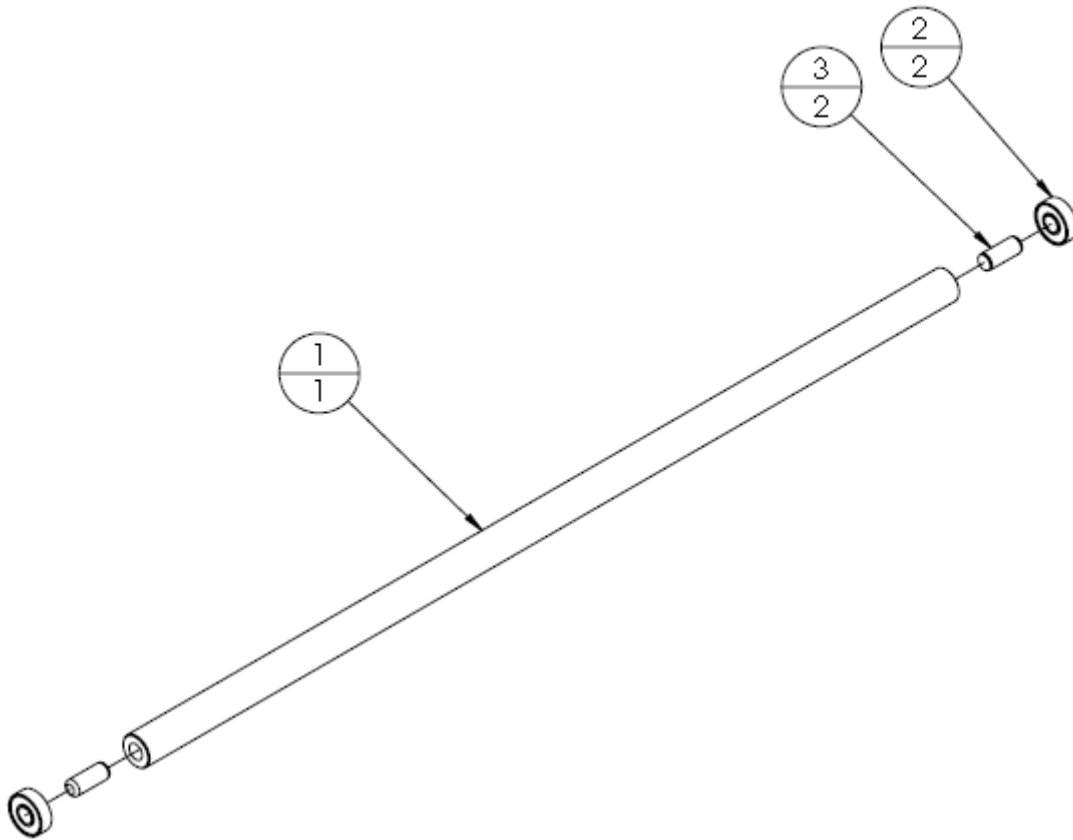
**FEEDMAX FEEDER (Fig. 7B)  
EXT CONVEYOR- CROWNED DRIVE SHAFT ASSY (10020-294)**

ITEM	PART NO.	QTY.	DESCRIPTION
1	10004-169	1	SHAFT, DRIVE
2	10006-073	5	PULLEY, CROWNED
3	99003-057	10	BEARING, ONE-WAY, 1/2
4	99039-085	10	OIL SEAL, 1/2
5	99022-004	2	SNAP RING, 1/2



**FEEDMAX FEEDER (Fig. 7C)  
EXT CONVEYOR- FRONT SHAFT ASSY (10020-292)**

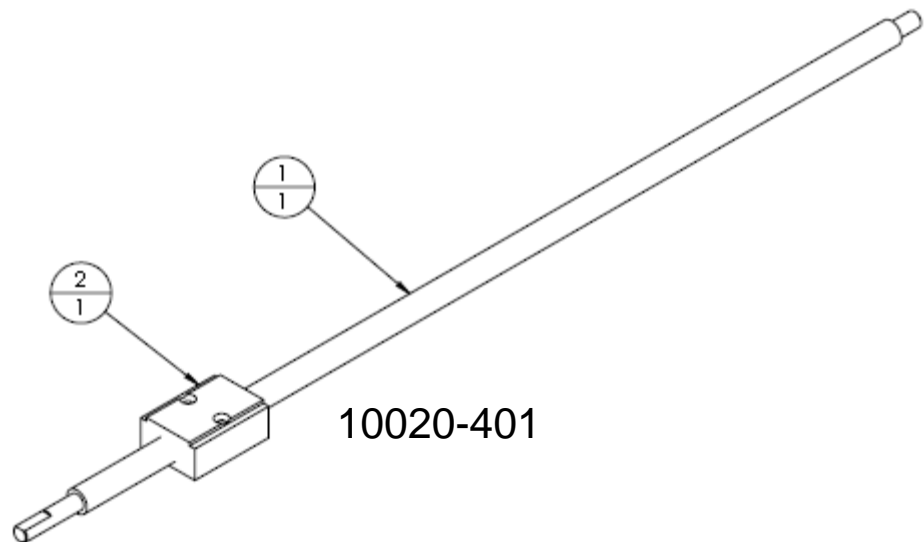
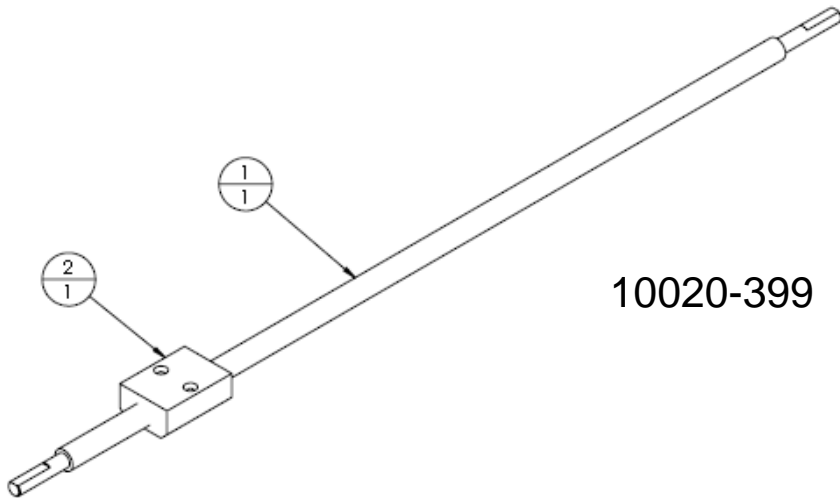
ITEM	PART NO.	QTY.	DESCRIPTION
1	10004-170	1	SHAFT, FRONT
2	99003-087	2	BEARING, 1/4 X 5/8
3	99006-028	2	PIN, DOWEL, 1/4 X 5/8





**FEEDMAX FEEDER (Fig. 7D-1)  
EXT CONVEYOR- BALL RACK ADJ SHAFT ASSEMBLIES**

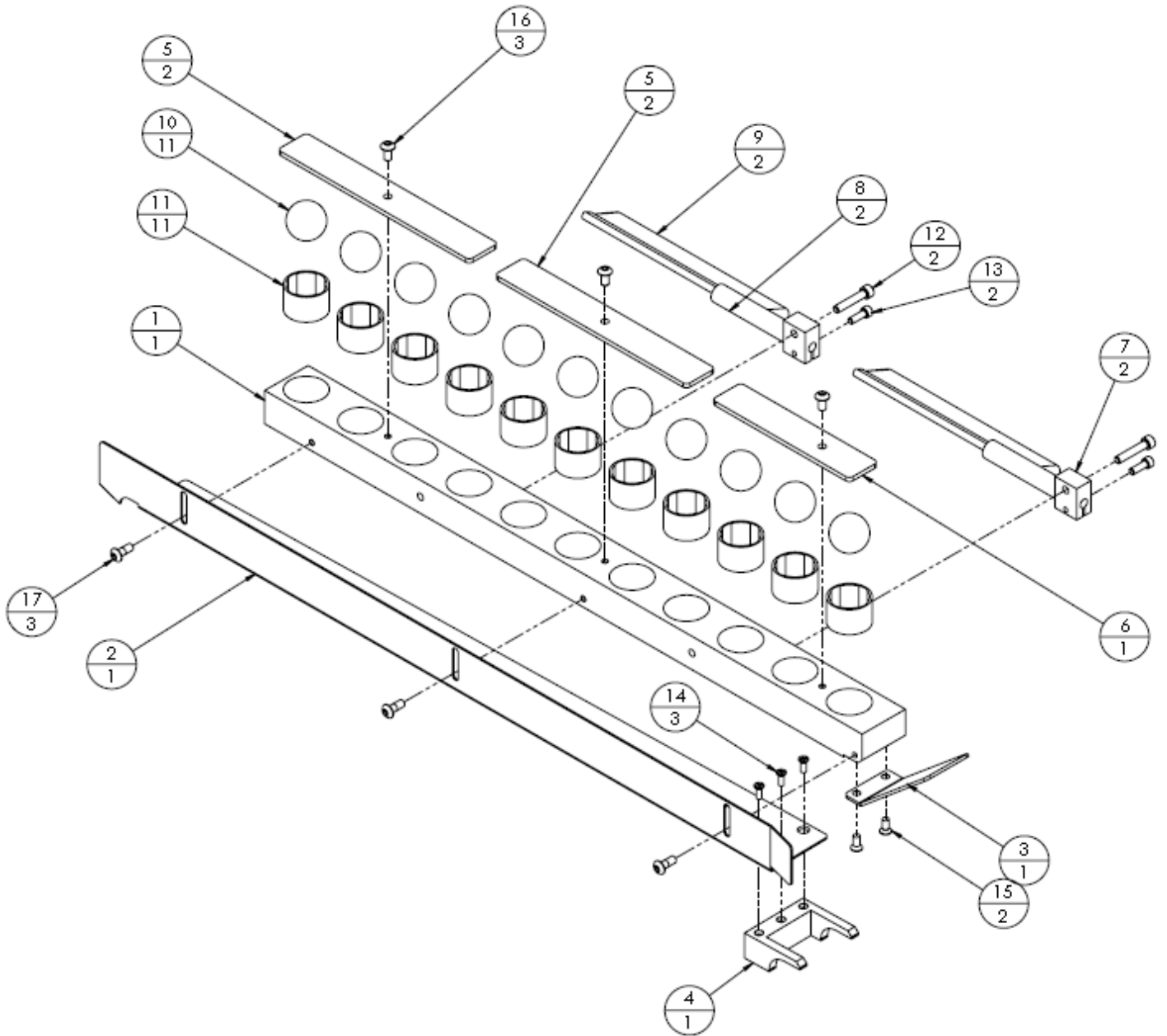
ITEM	PART NO.	QTY.	DESCRIPTION
REF	<b>10020-399</b>	<b>1</b>	<b>ASSY, BALL RACK ADJ SHAFT</b>
1	10004-167	1	SHAFT, ADJ
2	10007-080	1	BLOCK, SIDE GUIDE ADJ.
REF	<b>10020-401</b>	<b>1</b>	<b>ASSY, SECONDARY BALL RACK ADJ SHAFT</b>
1	10004-168	1	SHAFT, SECONDARY
2	10007-105	1	BLOCK, GUIDE ADJ. W/O CUTOUT



**FEEDMAX FEEDER (Fig. 7D-2)  
EXT CONVEYOR- BALL RACK ASSY (10020-293)**

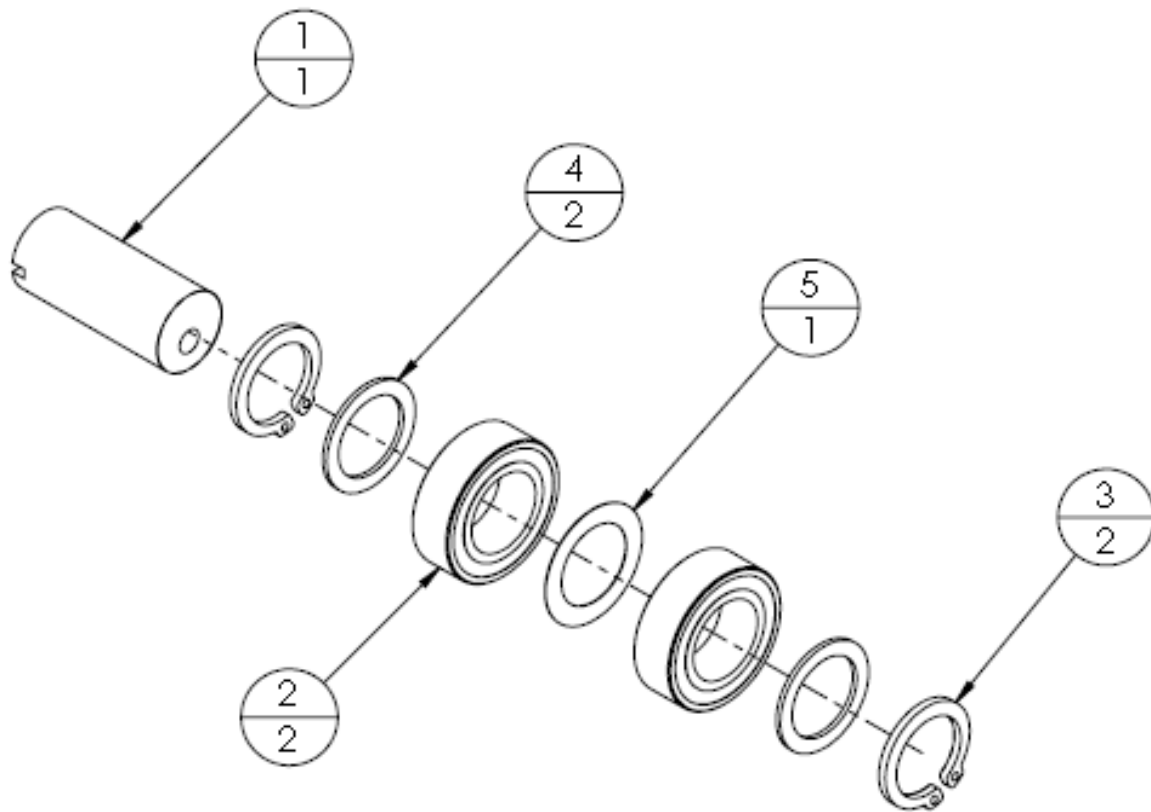
<b>ITEM</b>	<b>PART NO.</b>	<b>QTY.</b>	<b>DESCRIPTION</b>
1	10007-081	1	BLOCK, BALL RACK
2	10005-108	1	GUIDE, EXIT CNVEYOR, LH
3	10005-117	1	GUIDE, ENTRANCE @ BALL RACK
4	10007-082	1	BLOCK, PULLEY, ADJ.
5	10013-013	2	COVER, BALL RACK
6	10013-020	1	COVER, BALL RACK, FRONT
7	10007-096	2	BLOCK, BRUSH MTG
8	18009-023	2	BRACKET, BRUSH CLAMP
9	99023-001	2	BRUSH STRIP, 6" X 1" X .003
10	99037-003	11	BALL, CHROME, 1"
11	10006-081	11	SLEEVE, 1" BALL RACK
12	-	2	SHCS, #10-24 X 1
13	-	2	SHCS, 38-32 X 1/2
14	-	3	SCREW, FLT HD, #6-32 X 3/8
15	-	2	SCREW, FLT HD, #8-32 X 3/8
16	-	3	SBHCS, #10-24 X 3/8
17	-	3	SBHCS, #10-24 X 1/2

FIG 7D-2



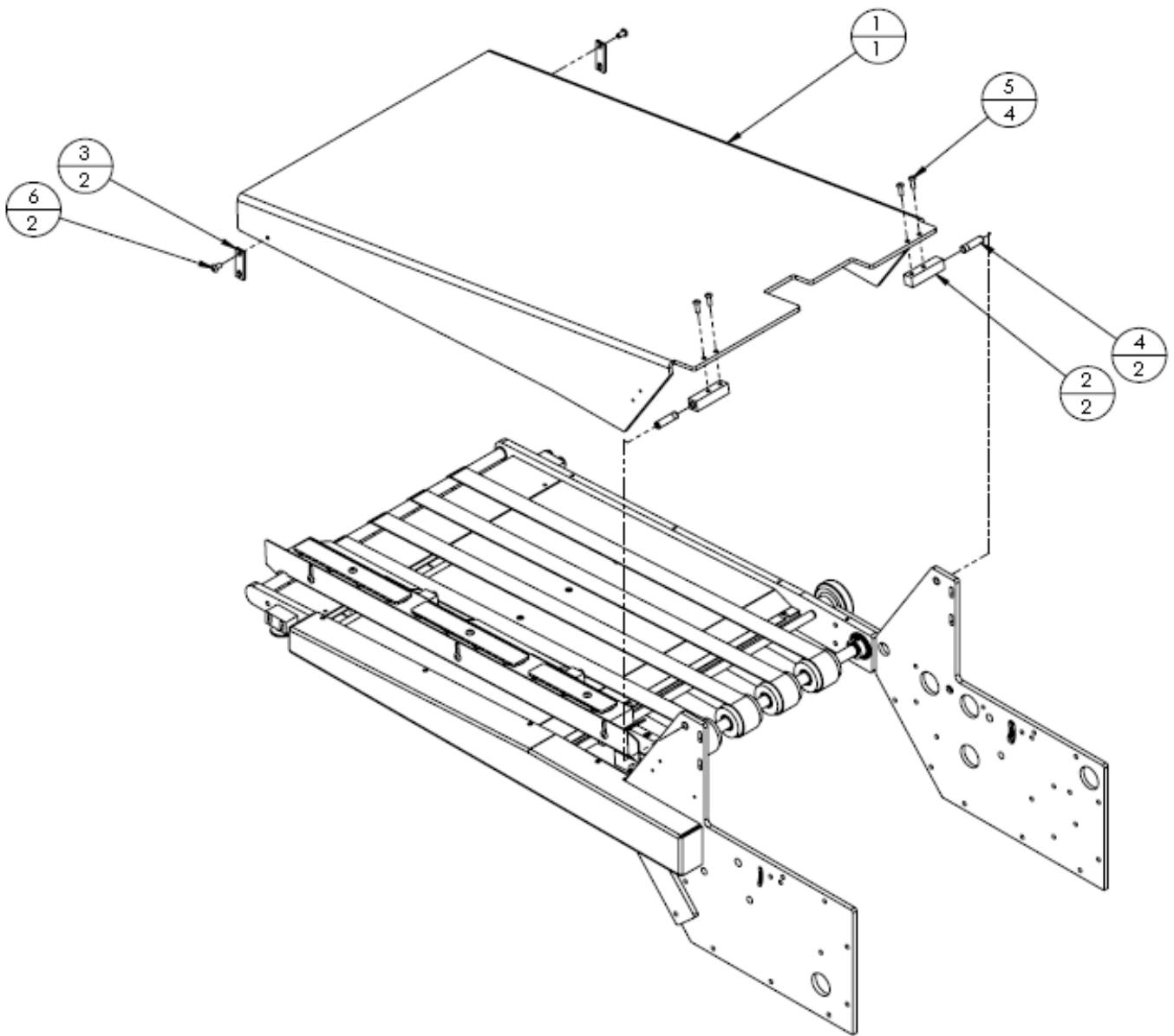
**FEEDMAX FEEDER (Fig. 7E)  
EXT CONVEYOR- TENSIONER ASSY (10020-172)**

ITEM	PART NO.	QTY.	DESCRIPTION
1	16004-037	1	SHAFT, TENSIONER
2	99003-046	2	BEARING, 1/2 X 7/8
3	99022-004	2	SNAP RING, 1/2
4	99003-032	2	WASHER, NYLON, 1/2 X 1/32
5	99036-007	1	SHIM, BEARING, 1/2 X 3/4



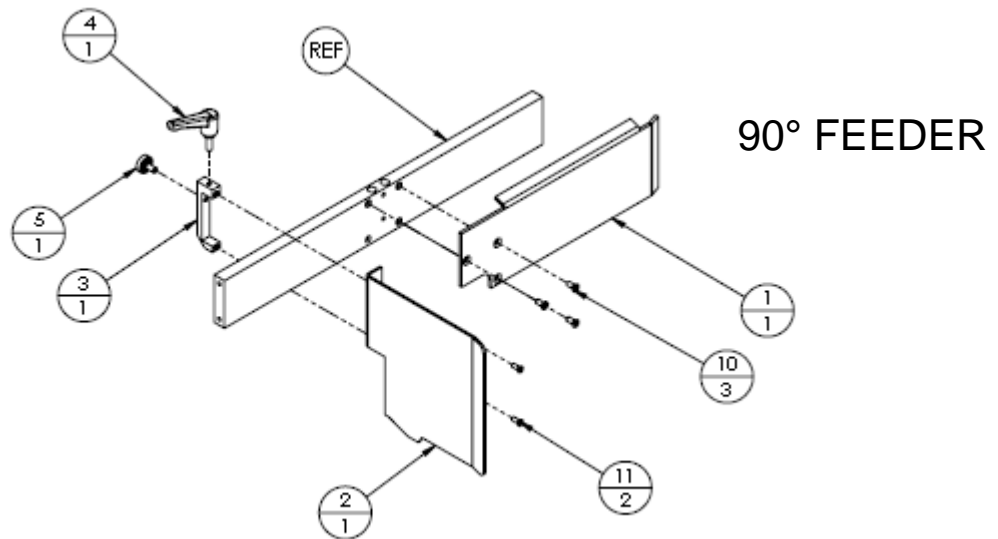
**FEEDMAX FEEDER (Fig. 7F)  
EXT CONVEYOR- LEXAN COVER ASSY (10020-403)**

ITEM	PART NO.	QTY.	DESCRIPTION
1	10013-028	1	COVER, LEXAN
2	10008-073	2	BAR, COVER PIVOT
3	10009-058	2	BRACKET, LEXAN MTG
4	99006-024	2	PIN, STUD, 5/16-24 X 1-1/8
5	-	4	SBHCS, #8-32 X 1/2
6	-	2	SBHCS, #10-24 X 3/8

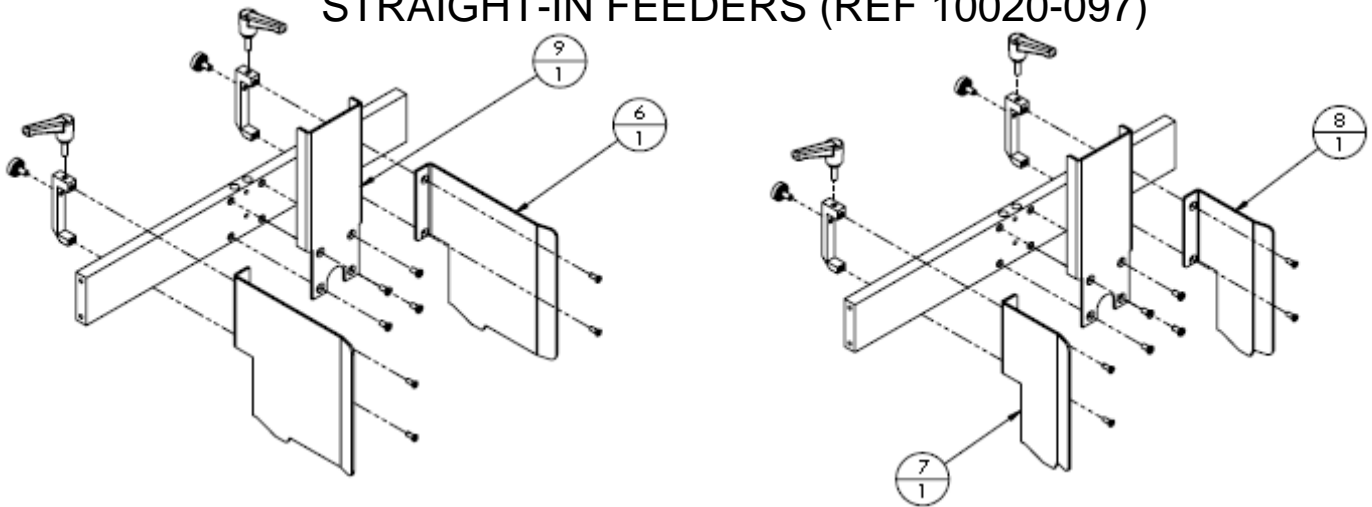


**FEEDMAX FEEDER (Fig. 8)  
PAPER GUIDE ASSEMBLY (10020-295)**

ITEM	PART NO.	QTY.	DESCRIPTION
1	10005-163	1	GUIDE, FRONT RH 90 DEGREE
2	10005-087	1	GUIDE, SIDE, LH LONG
3	10009-002	1	BRACKET, SIDE GUIDE MTG
4	99004-003	1	HANDLE, RATCHET, #10-24 X 5/8
5	10020-316	1	ASSY, KNOB, #10-24 X 3/8
6	10005-086	REF	GUIDE, SIDE, RH LONG (SEE 12020-097)
7	10005-101	REF	GUIDE, SIDE, LH SHORT (SEE 12020-097)
8	10005-102	REF	GUIDE, SIDE, RH SHORT (SEE 12020-097)
9	10005-001	REF	GUIDE, FRONT, SHORT (SEE 12020-097)
10	-	3	SFHCS, #8-32 X 3/8
11	-	2	SFHCS, #6-32 X 5/16



**STRAIGHT-IN FEEDERS (REF 10020-097)**



**PITNEY BOWES**

**FEEDMAX FEEDER (Fig. 9-NONE SHOWN )  
ACCESSORY KIT (12020-097) REF: FIG 8**

<b>ITEM</b>	<b>PART NO.</b>	<b>QTY.</b>	<b>DESCRIPTION</b>
1	10005-089	1	GUIDE, REAR WEDGE, 1-1/4" W (OPTION)
2	10005-103	1	GUIDE, REAR WEDGE, EXTENDED (OPTION)
3	10005-104	1	GUIDE, REAR WEDGE, 5-1/2" W (OPTION)
4	10005-165	1	GUIDE, REAR WEDGE, 10" W (OPTION)
5	10005-086	1	GUIDE, SIDE, RH LONG
6	10005-101	1	GUIDE, SIDE, LH SHORT
7	10005-102	1	GUIDE, SIDE, RH SHORT (
8	10005-001	1	GUIDE, FRONT, SHORT (SEPARATOR W/ SHROUD)
9	10005-205	1	GUIDE, FRONT, SHORT (SEPARATOR W/O SHROUD)
10	10009-044	2	BRACKET FEEDER SUPPORT
11	10009-002	1	BRACKET, SIDE GUIDE MTG
12	99004-003	3	HANDLE, RATCHET, #10-24 X .59
13	10020-316	1	ASSY, KNOB, #10-24 X 3/8

**FEEDMAX SHUTTLE FEEDER (Fig. 10-NONE SHOWN)  
ELECTRICAL 10018-065**

<b>ITEM</b>	<b>PART NO.</b>	<b>QTY.</b>	<b>DESCRIPTION</b>
1	98001-060	17	SPRING TERMINAL BLOCK
2	98001-061	2	SPRING GROUND TERMINAL
3	98001-064	4	SIDE COVER TERMINAL BLOCK
4	98001-072	2	END STOP TERMINAL
5	98001-073	4	BRIDGE 2 POSITION
6	98001-074	1	BRIDGE 3 POSITION
7	98010-184	7 FT	CABLE, 18 GA, 25 COND
8	98016-155	1	PLUG, INSERT, A16 SERIES, 1-15
9	98016-157	1	PLUG, INSERT, A16 SERIES, 16-32
10	98016-160	1	HOUSING, SLEEVE FOR DOUBLE LOCK
11	98015-049	1	STRAIN RELIEF
12	10009-105	5"	DIN RAIL BRACKET
13	053-4576	1	LABEL, HAND CRUSH
14	053-4569	1	LABEL, HAIR ENTANGLEMENT