

**FLEXIBLE INK JET  
TRANSPORT  
56" FIT BASE: FIT-56**

***Parts Manual***  
(BOM: FIT-56revA)



***DIRECT MAIL SOLUTIONS***

12050 49th STREET NORTH - CLEARWATER, FL. 33762-4301  
PHONE: 727.571.3330 - FAX: 727.571.3443 - TOLL FREE: 1.800.INSERTER  
web: [sure-feed.com](http://sure-feed.com)

**VERSION HISTORY**

The table below summarizes the history of this document as it is published onto the company website(s). It identifies the version, date of issue and revisions and changes.

VERSION	DATE	CHANGES
FIT-56parts_REV0	4-20-09	ORIGINAL RELEASE

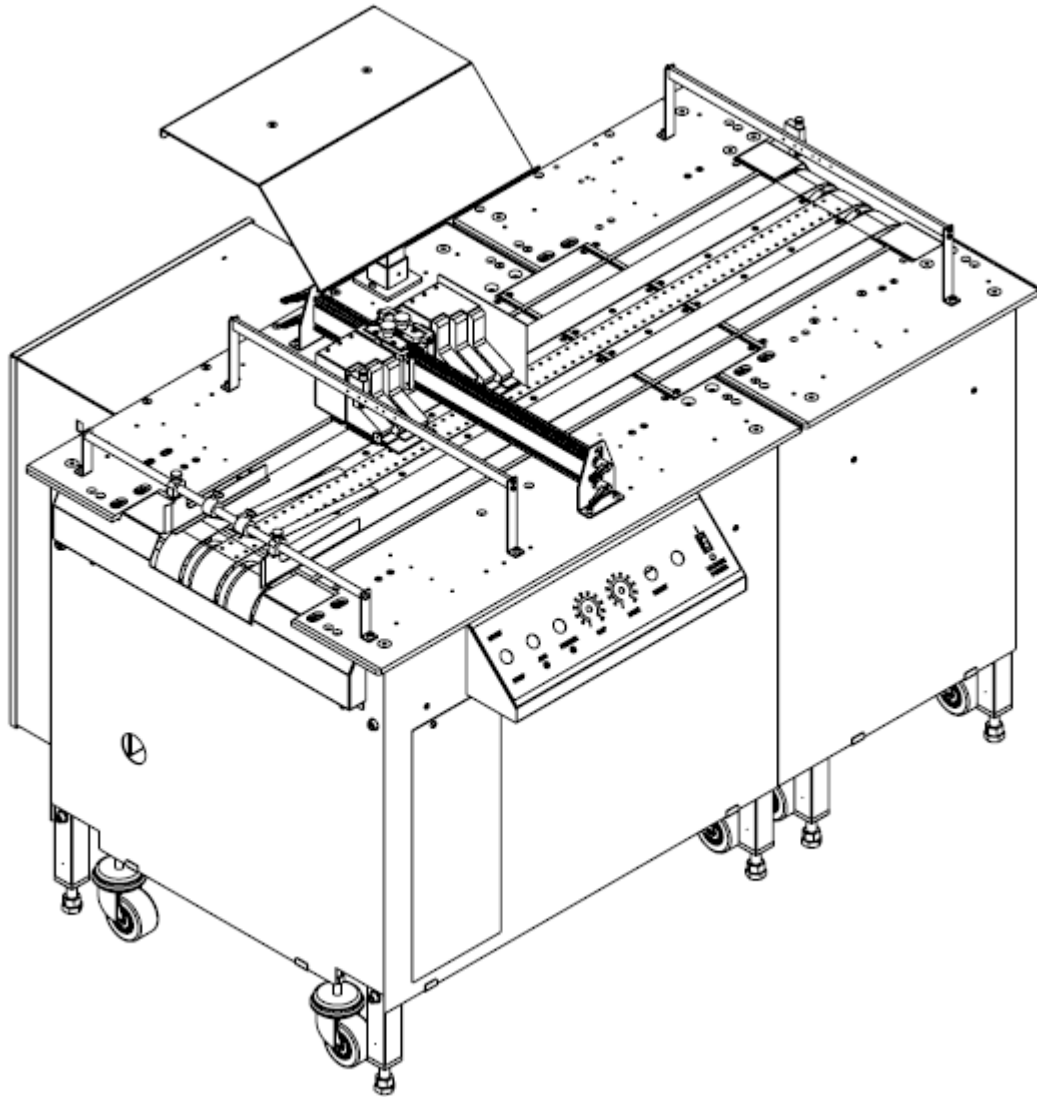
**REVISION CONVENTIONS-DOCUMENT**

**VERSION:** name of document with revision\_level of entire document- level designates minor changes that do not require revision change

**DATE:** date of issue for copying and publication of document.

**CHANGES:** details of document revision\_level.

# **56"FIT INKJET TRANSPORT BASE**



# **TABLE OF CONTENTS**

## **56” FLEXIBLE INK JET TRANSPORT**

<b>FIT-56 BASE ASSEMBLY (FIG. 1A &amp;1B)</b>	<b>4-7</b>
<b>FRAME ASSY (FIG. 2A):FIT-36</b>	<b>8</b>
<b>FRAME ASSY (FIG. 2B):FIT-20</b>	<b>9</b>
<b>VACUUM CONVEYOR (FIG. 3A):FIT-36</b>	<b>10-11</b>
<b>VACUUM CONVEYOR (FIG. 3B):FIT-20</b>	<b>12-13</b>
<b>VACUUM CONVEYOR (FIG. 3C):TRANSITION</b>	<b>14</b>
<b>VACUUM PUMP (FIG. 4)</b>	<b>15</b>
<b>BLOWER (FIG. 4A)</b>	<b>16</b>
<b>INTAKE (FIG. 4B)</b>	<b>17</b>
<b>INTAKE PVC (FIG. 4C)</b>	<b>18</b>
<b>PVC TEE (FIG. 4D)</b>	<b>18</b>
<b>DRIVE ROLLERS (FIG. 5A)</b>	<b>19</b>
<b>TENSIONER (FIG. 5B)</b>	<b>20</b>
<b>MANIFOLD PVC (FIG. 5C)</b>	<b>21</b>
<b>DRIVE MOTOR (FIG. 5D)</b>	<b>22</b>
<b>MOTOR DRIVE CABLE (FIG. 5E)</b>	<b>23</b>
<b>SENSOR BAR (FIG. 6A &amp; 6B)</b>	<b>24</b>
<b>INFEED GUIDE (FIG. 7)</b>	<b>25</b>
<b>CONTROL PANEL (FIG. 8A)</b>	<b>26</b>
<b>CONTROL PANEL HARNESS (FIG. 8B)</b>	<b>27</b>
<b>ELECTRICAL (FIG. 9)</b>	<b>28-30</b>
<b>PRODUCT GUIDES (FIG. 10 OPTIONAL)</b>	<b>31</b>
<b>5 BELT OPTION (FIG 11)</b>	<b>32</b>
<b>14.5” BELT OPTION (FIG 12)</b>	<b>33</b>

**FIT-56 BASE ASSEMBLY (Fig. 1A)  
(16022-025r1)**

ITEM	PART NO.	QTY.	DESCRIPTION
1	SEE FIG. 2A	1	ASSY, FRAME, (16020-621): FIT-36
2	SEE FIG. 2B	1	ASSY, FRAME, (16020-629): FIT-20
3	SEE FIG. 3A	1	ASSEMBLY, VACUUM CONVEYOR (16020-661): FIT-36
4	SEE FIG. 3B	1	ASSEMBLY, VACUUM CONVEYOR (16020-662): FIT-20
5	SEE FIG. 3C	1	ASSEMBLY, VACUUM TRANSITION (16020-665)
6	SEE FIG 4A-C	1	ASSY, VACUUM PUMP (16020-630)
7	SEE FIG 4D	1	ASSY, PVC TEE (16020-669)
8	16014-050	1	BELT SET, VACUUM, 116.63"L X 2"W
9	16014-051	*	INCLUDED IN ITEM #8
10	16009-192	2	BRACKET, BASE SPLICE
11	16012-092	2	STANDOFF, BASE MTG
12	99031-016	50"	HOSE, 1" ID
13	99017-030	6	HOSE CLAMP, SS, 11/16-1-1/2
14	99002-172	OPT	PULLEY, TIMING, 22MXL025, 1/4B
15	<b>16020-659</b>	<b>OPT</b>	<b>ASSY, ENCODER, 300 PPI</b>
16	-	4	SHCS, 3/8-16 X 2
17	-	8	FHCS, 3/8-16 X 1
18	-	4	HEX BOLT, 5/16-18 X 3/4
19	-	4	FHCS, 1/4-20 X 3/4
20	-	2	BHCS, 1/4-20 X 5/8
21	-	4	FHCS, #10-24 X 5/8
22	-	4	HEX NUT, 5/16-18
23	-	8	FW, 5/16
24	-	2	LOCK WASHER, 3/8
	<b>16020-639</b>	<b>OPT</b>	<b>ASSY, MONITOR STAND</b>
	<b>16020-565</b>	<b>OPT</b>	<b>ASSY, PRINT HEAD BRIDGE</b>

See next page for details

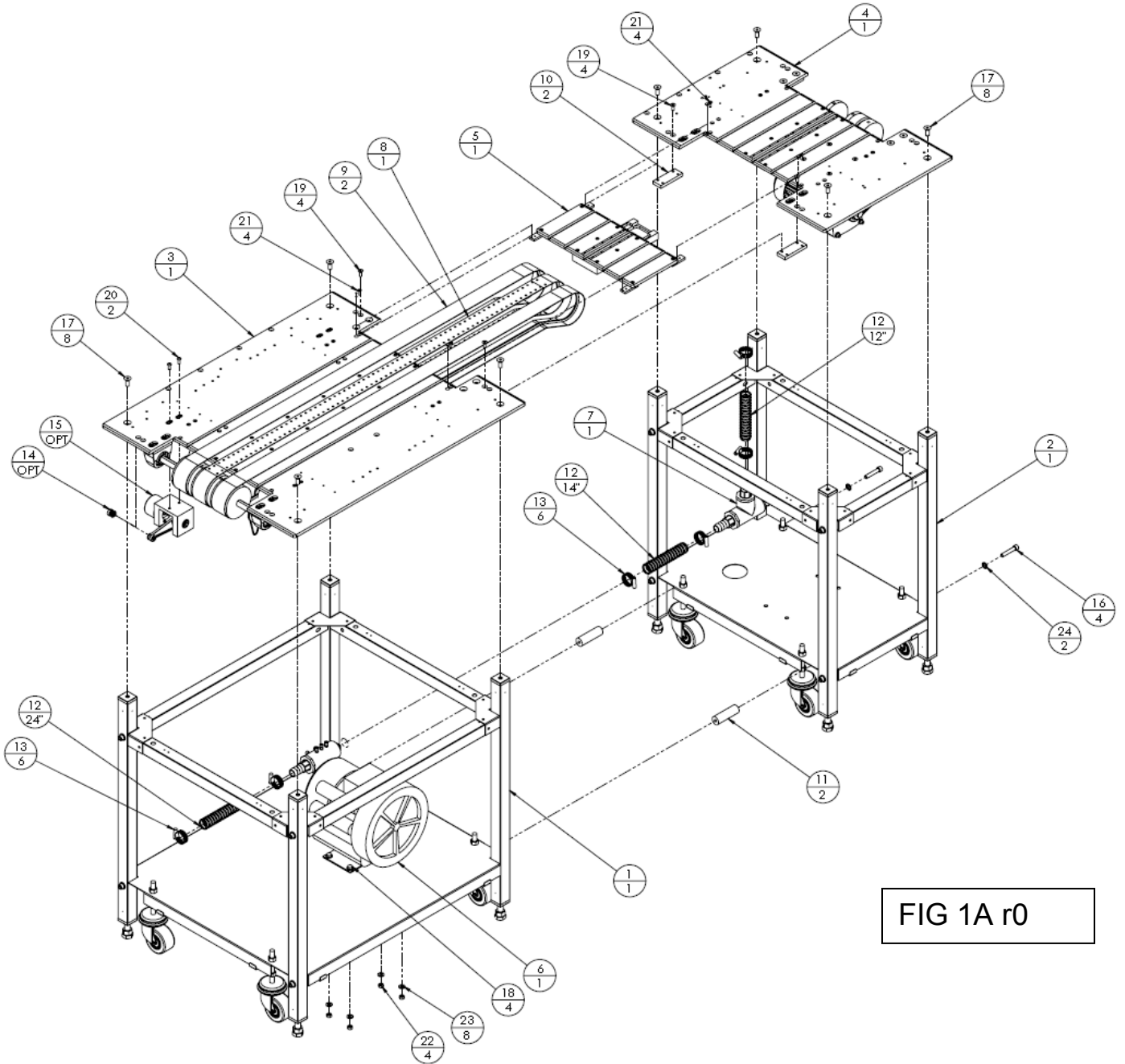


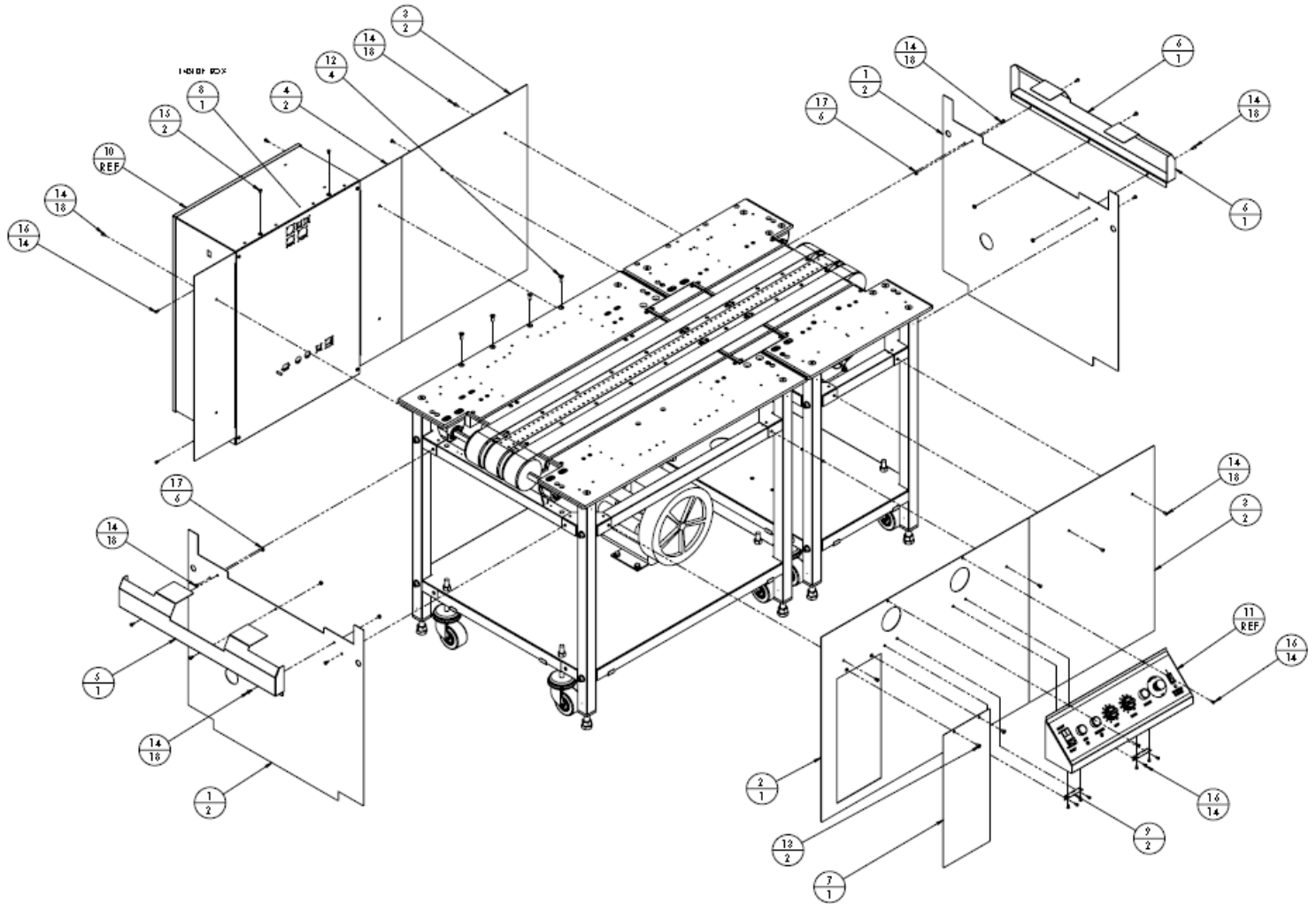
FIG 1A r0

**FIT-56 BASE ASSEMBLY (Fig. 1B)  
(16022-025r1)**

<b>ITEM</b>	<b>PART NO.</b>	<b>QTY.</b>	<b>DESCRIPTION</b>
1	16013-327	2	COVER, END W/ HOLE (FIT-36)
2	16013-293	1	COVER, FRONT (FIT 36)
3	16013-312	2	COVER, FRONT (FIT 20)
4	16013-302	2	COVER, REAR
5	16013-299	1	COVER, DRIVE DISCHARGE
	16013-337	OPT	FOR 5 BELT CONFIGURATION
	16013-295	OPT	FOR 14.5" W BELT CONFIGURATION
6	16013-308	1	COVER, DRIVE INFEED
	16013-346	OPT	FOR 5 BELT CONFIGURATION
	16013-295	OPT	FOR 14.5" W BELT CONFIGURATION
7	16013-343	1	COVER, CPU
8	16008-214	1	BAR, ENCLOSURE MTG
9	16013-013	2	HINGE, ELECTRICAL COVER
<b>10</b>	<b>16021-105</b>	<b>REF</b>	<b>ASSY, ELECTRICAL, MAIN</b>
<b>11</b>	<b>16021-104</b>	<b>REF</b>	<b>ASSY, CONTROL CONSOLE</b>
12	-	4	FHCS, 1/4-20 X 3/4
13	-	2	BHCS, 1/4-20 X 3/8
14	-	18	BHCS, #10-24 X 3/8
15	-	2	FHCS, #10-24 X 3/8
16	-	14	BHCS, #8-32 X 3/8
17	-	6	HEX NUT, NYLOC, #10-24

See next page for details

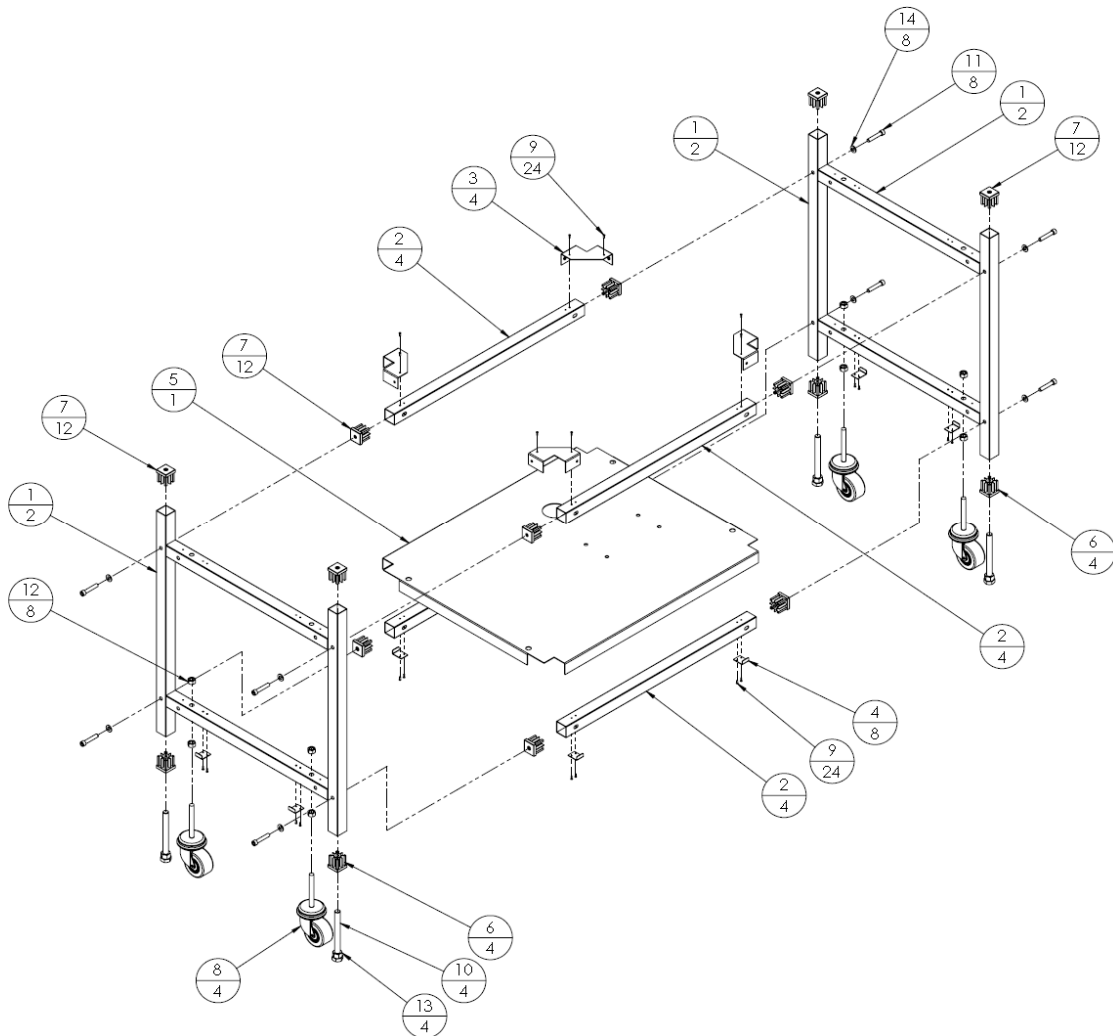
FIG 1B r0





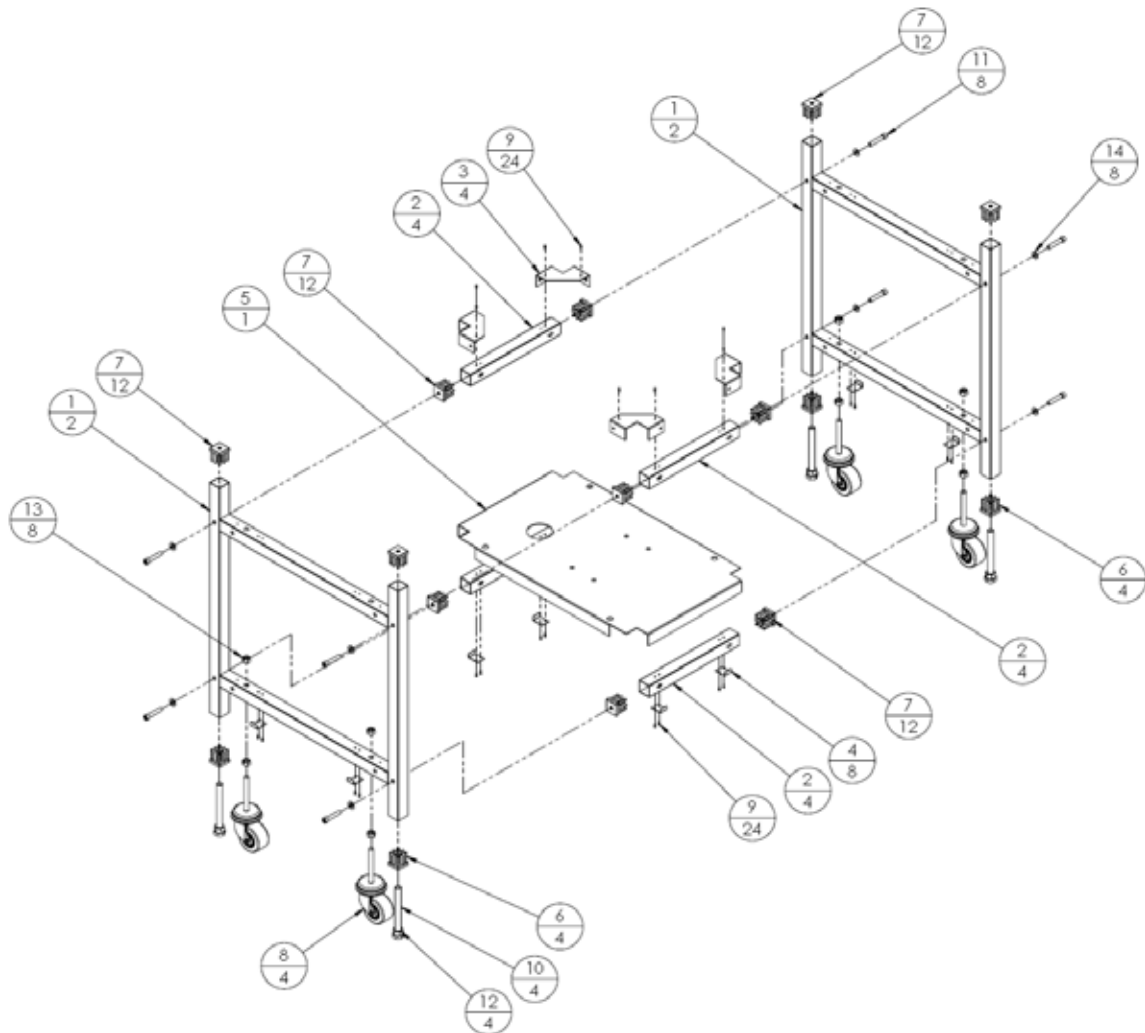
**36" FRAME ASSEMBLY (Fig. 2A)  
(16020-621)**

ITEM	PART NO.	QTY.	DESCRIPTION
1	16000-087	2	FRAME, SIDE
2	16003-011	4	CROSSBAR, FRONT
3	16009-188	4	BRACKET, FRAME SUPPORT
4	16009-189	8	BRACKET, COVER SUPPORT
5	16013-292	1	COVER, FLOOR
6	99038-005	4	TUBE END, THREADED, 5/8 -11 (FEET)
7	99038-004	12	TUBE END, THREADED, 3/8 -16 (CROSSBAR & TOP)
8	99010-017	4	CASTER, 3"
9	99039-091	24	POP RIVET
10	-	4	HHCS, 5/8-11 X 6
11	-	8	SHCS, 3/8-16 X 2
12	-	8	HEX NUT, 1/2-13
13	-	4	HEX NUT, 5/8-11
14	-	8	FW, 3/8



**20" FRAME ASSEMBLY (Fig. 2B)  
(16020-629r1)**

ITEM	PART NO.	QTY.	DESCRIPTION
1	16000-087	2	FRAME, SIDE
2	16003-013	4	CROSSBAR, FRONT
3	16009-188	4	BRACKET, FRAME SUPPORT
4	16009-189	8	BRACKET, COVER SUPPORT
5	16013-303	1	COVER, FLOOR
6	99038-005	4	TUBE END, THREADED, 5/8 -11 (FEET)
7	99038-004	12	TUBE END, THREADED, 3/8 -16 (CROSSBAR & TOP)
8	99010-017	4	CASTER, 3"
9	99039-091	24	POP RIVET
10	-	4	HHCS, 5/8-11 X 6
11	-	8	SHCS, 3/8-16 X 2
12	-	4	HEX NUT, 5/8-11
13	-	8	HEX NUT, 1/2-13
14	-	8	FW, 3/8



**36" VACUUM CONVEYOR ASSY-SLAVE 16020-661r1 (Fig. 3A)**

ITEM	PART NO.	QTY.	DESCRIPTION
1	SEE FIG 5A	1	ASSY, DRIVE ROLLER W/ ENCODER (16020-625)
2	SEE FIG 5B	2	ASSY, TENSIONER (16020-637)
3	SEE FIG 5C	1	ASSY, MANIFOLD PVC (16020-644)
4	16011-357	1	PLATE, TOP
5	16013-291	1	VACUUM MANIFOLD
6	16007-193	1	BLOCK, VACUUM CHAMBER CONNECTOR
7	16012-091	4	SPACER, BEARING BLOCK VIBRATION
8	98028-055	1	ADAPTER, MALE, 3/4NPT X 3/4
9	98015-042	1	FINISH PLUG, BLACK, 13/16
10	-	4	BHCS, 3/8-16 X 1
11	-	4	BHCS, 1/4-20 X 1/2
12	-	8	FHCS, #10-24 X 3/4
13	-	12	FHCS, #8-32 X 5/8

See next page for details

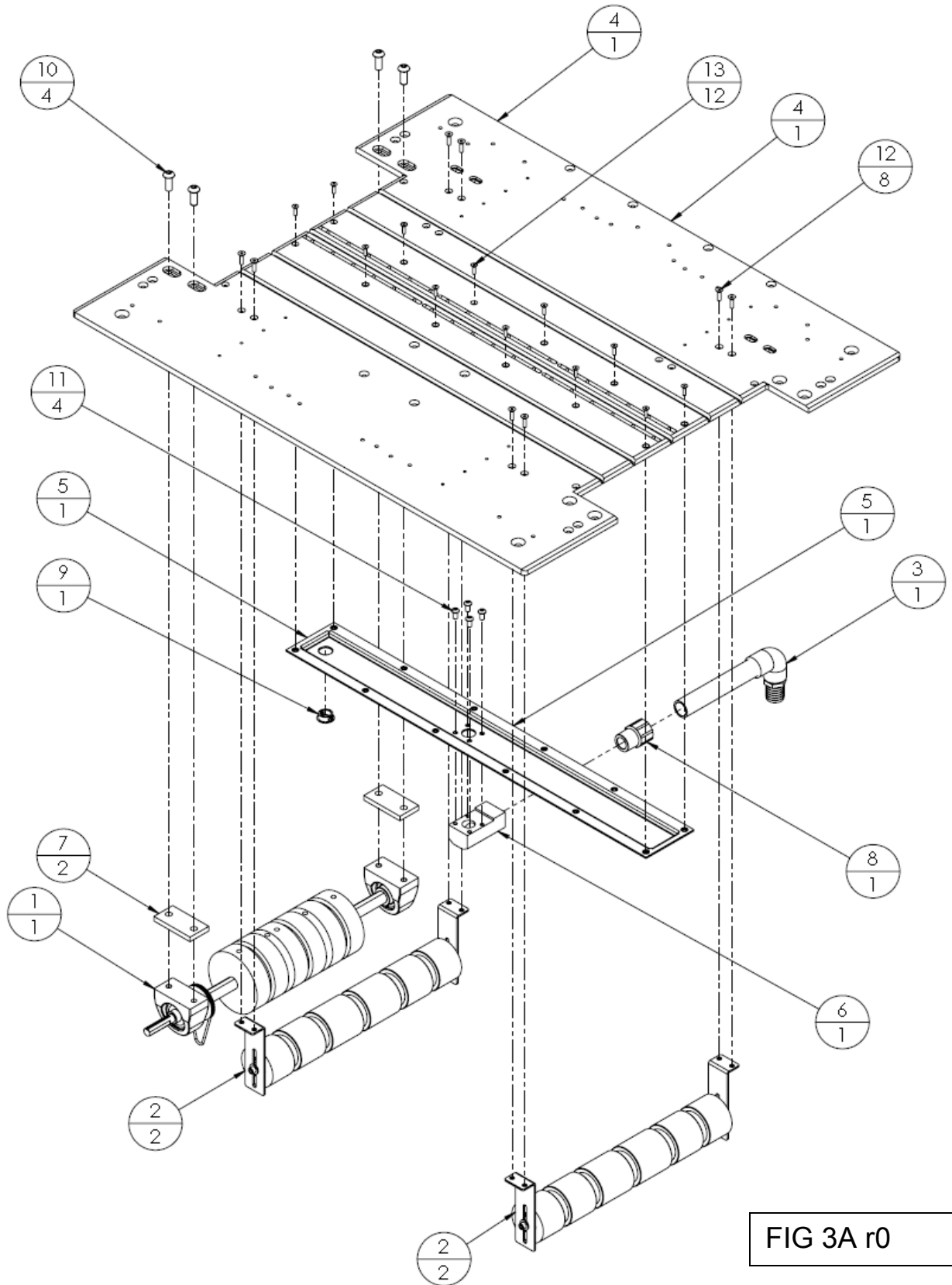


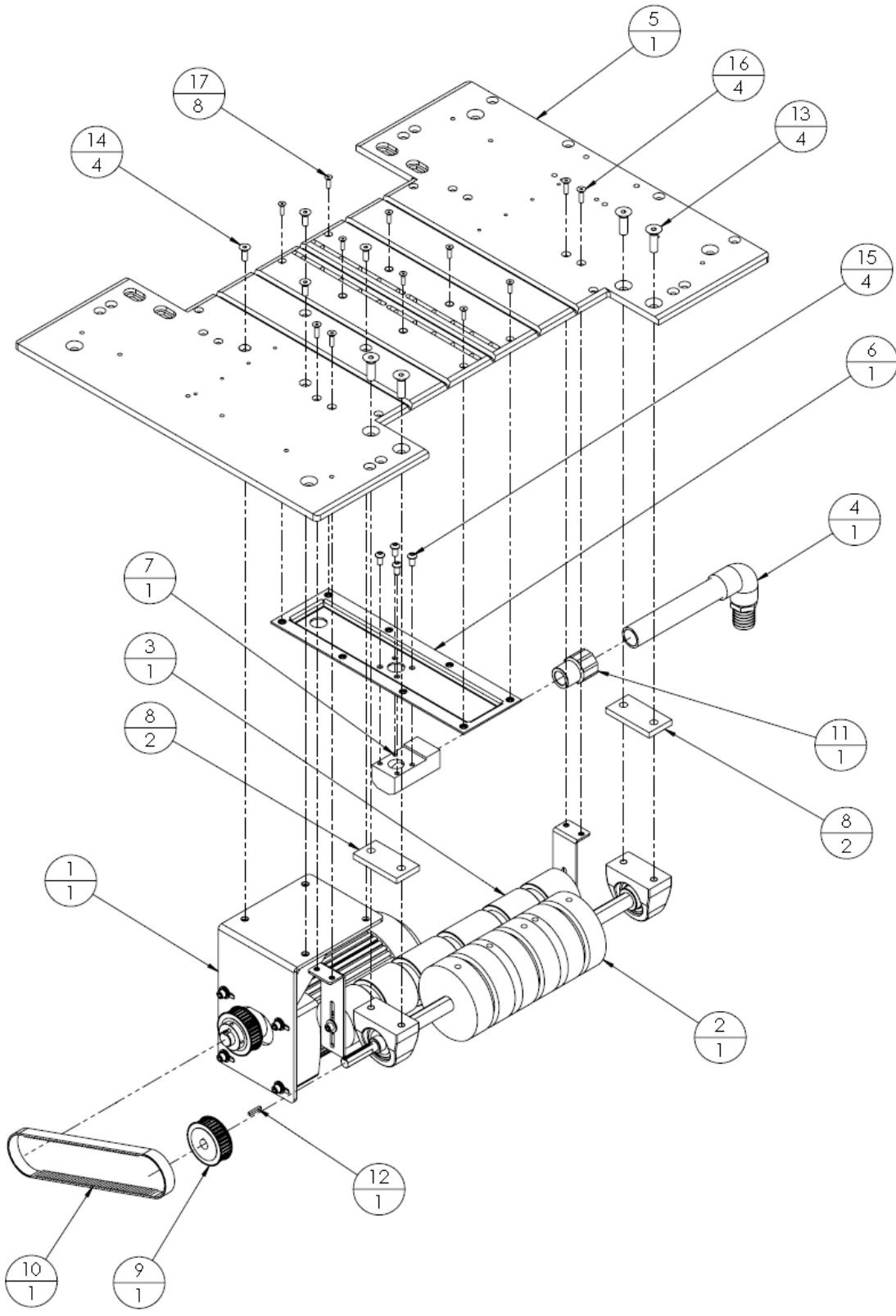
FIG 3A r0

**PITNEY BOWES****20" VACUUM CONVEYOR ASSY-DRIVE 16020-662r1 (Fig. 3B)**

ITEM	PART NO.	QTY.	DESCRIPTION
1	SEE FIG 5D	1	ASSY, DRIVE MOTOR (16020-636)
2	SEE FIG 5A	1	ASSY, DRIVE ROLLER (16020-626)
3	SEE FIG 5B	1	ASSY, TENSIONER (16020-637)
4	SEE FIG 5C	1	ASSY, MANIFOLD PVC (16020-644)
5	16011-363	1	PLATE, TOP
6	16013-304	1	VACUUM MANIFOLD
7	16007-193	1	BLOCK, VACUUM CHAMBER CONNECTOR
8	16012-091	2	SPACER, BEARING BLOCK VIBRATION
9	16006-168	1	PULLEY, TIMING 34-5M-15
10	99000-214	1	BELT, TIMING, HTD, 610-5M-15
11	98028-055	1	ADAPTER, MALE, 3/4NPT X 3/4
12	99034-003	1	KEY, SQUARE, 1/8 X 3/4
13	-	4	FHCS, 3/8-16 X 1-1/4
14	-	4	FHCS, 1/4-20 X 3/4 (ITEM #1)
15	-	4	SBHCS, 1/4-20 X 1/2 (ITEM #7)
16	-	4	FHCS, #10-24 X 3/4 (ITEM #3)
17	-	8	FHCS, #8-32 X 5/8 (ITEM #6)

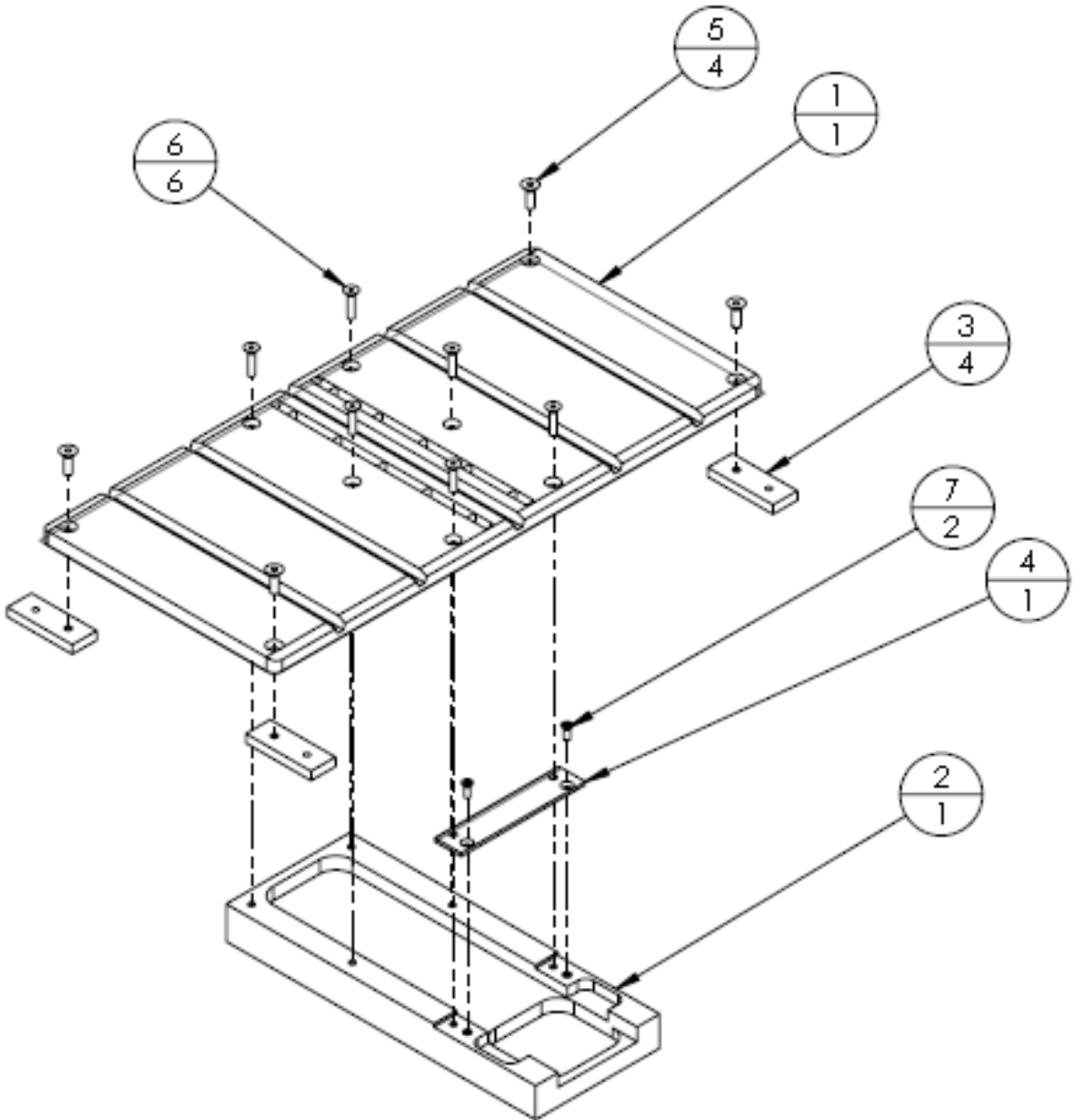
See next page for details

FIG 3B r0



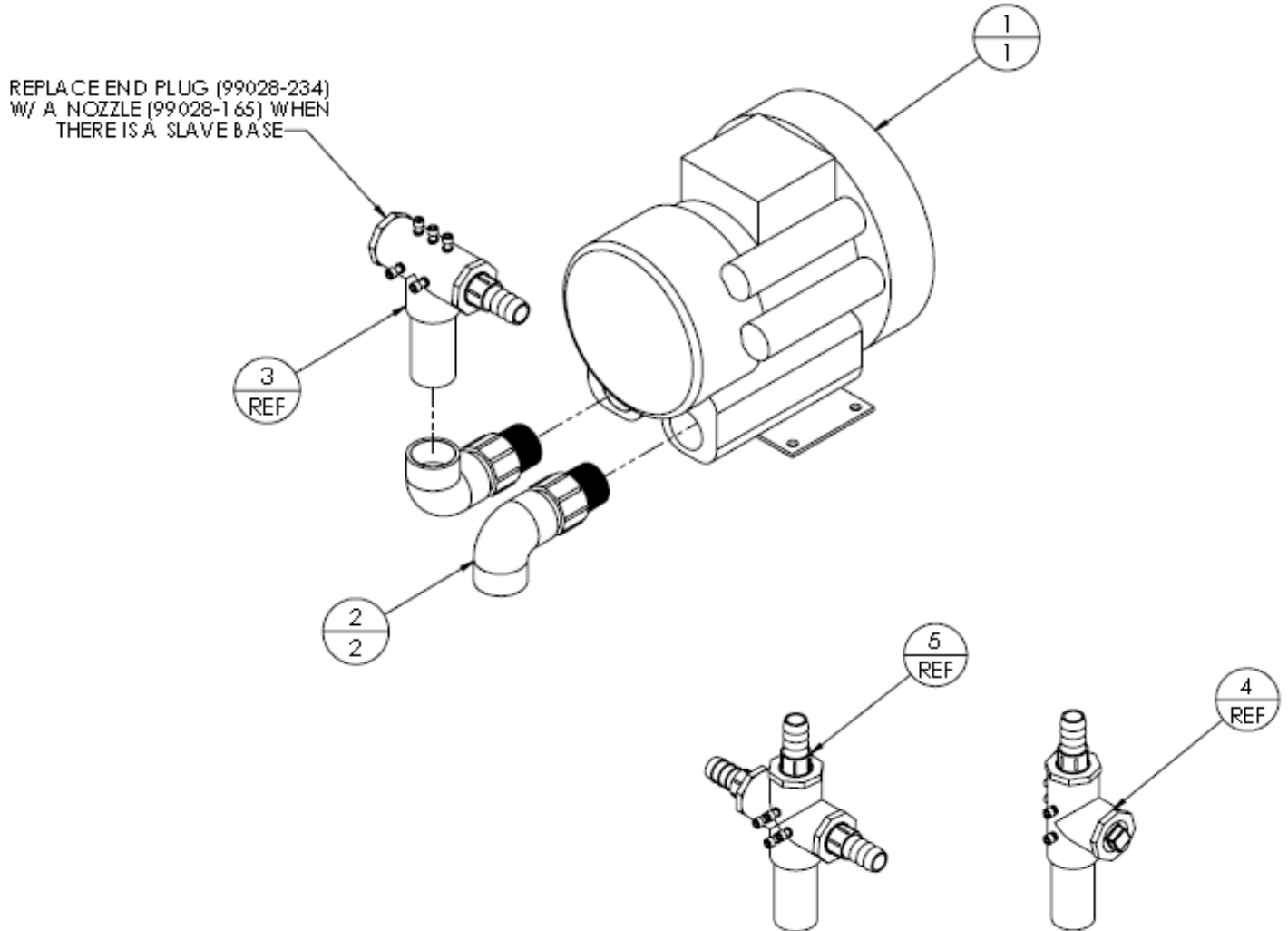
**VACUUM CONVEYOR ASSEMBLY (16020-665r1 (Fig. 3C)**

ITEM	PART NO.	QTY.	DESCRIPTION
1	16011-371	1	PLATE, VACUUM TRANSITION
2	16013-344	1	VACUUM CHAMBER, TRANSITION
3	16007-250	4	BLOCK, SPLICE
4	16013-345	1	SPACER, VACUUM CHAMBER
5	-	4	FHCS, #10-24 X 5/8
6	-	6	FHCS, #8-32 X 3/4
7	-	2	FHMS, #6-32 X 3/8



**VACUUM PUMP ASSY 16020-630r1 (FIG 4)**

ITEM	PART NO	QTY	DESCRIPTION
1	16021-099	1	ASSY, BLOWER, 80 CFM
2	16020-494	2	ASSY, INTAKE PVC
3	16020-650	REF	ASSY, VACUUM PUMP INTAKE (STANDARD)
4	16020-683	REF	ASSY, VACUUM PUMP INTAKE (R TO L CONFIG)
5	16020-694	REF	ASSY, VACUUM PUMP INTAKE (DUAL SLAVE)

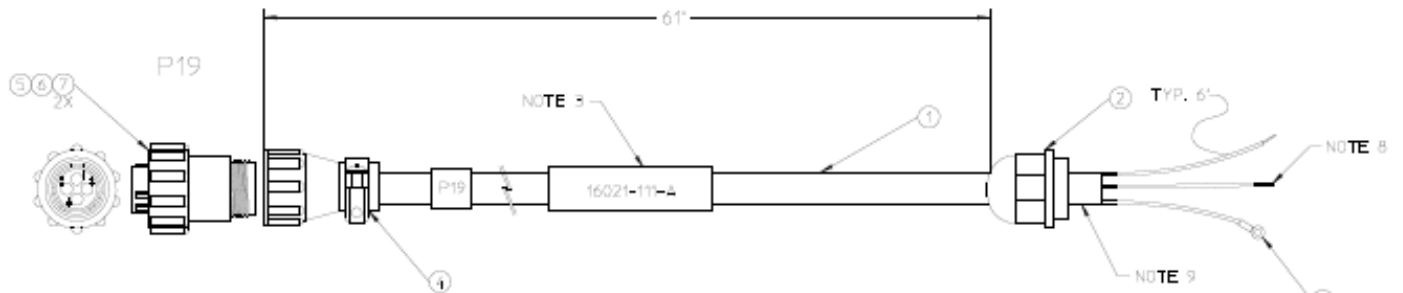


- NOTES:
1. REPLACE ITEM#3 WITH ITEM#4 WHEN THE BASE IS A RIGHT TO LEFT
  2. REPLACE ITEM#3 WITH ITEM#5 WHEN BASE HAS DUAL SLAVES

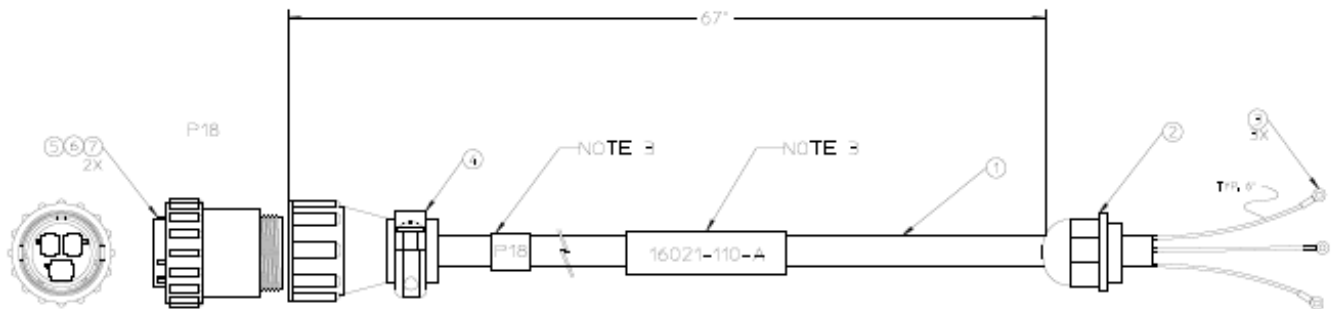


**BLOWER ASSEMBLY (16021-099r0) (Fig. 4A)**

ITEM	PART NO.	QTY.	DESCRIPTION
1	99029-007	1	BLOWER, BUSCH #SB0080, DOHT. UBX
2	<b>16021-111</b>	1	<b>THERMAL OVERLOAD CABLE</b>
-1	98010-250	2 FT	CABLE, 18-3C, HAR 600V
-2	98015-060	1	STRAIN RELIEF, M16X1.5
-3	98016-221	3	TERMINAL RING, #8, 14-16 AWG
-4	98016-015	1	BACKSHELL, PLASTIC SIZE 11
-5	98016-029	1	PLUG, SERIES 1, 11-4 REVERSE
-6	98016-234	1	PIN, EXTENDED, 16-18 AWG
-7	98016-059	2	CONTACT, PIN, 18-14 AWG
3	<b>16021-110</b>	1	<b>ASSY, VACUUM POWER CABLE</b>
-1	98010-182	5.7 FT	CABLE, 16/3 HAR EXPORT BLACK
-2	98015-059	1	STRAIN RELIEF, M25X1.5
-3	98016-221	3	TERMINAL RING, #8, 14-16 AWG
-4	98016-005	1	BACKSHELL, PLASTIC SIZE 17
-5	98016-004	1	PLUG REVERSE, SERIES 3, 17-3
-6	98016-237	1	PIN, EXTENDED, 16-12 AWG
-7	98016-026	2	CONTACT, PIN, 16-12 AWG



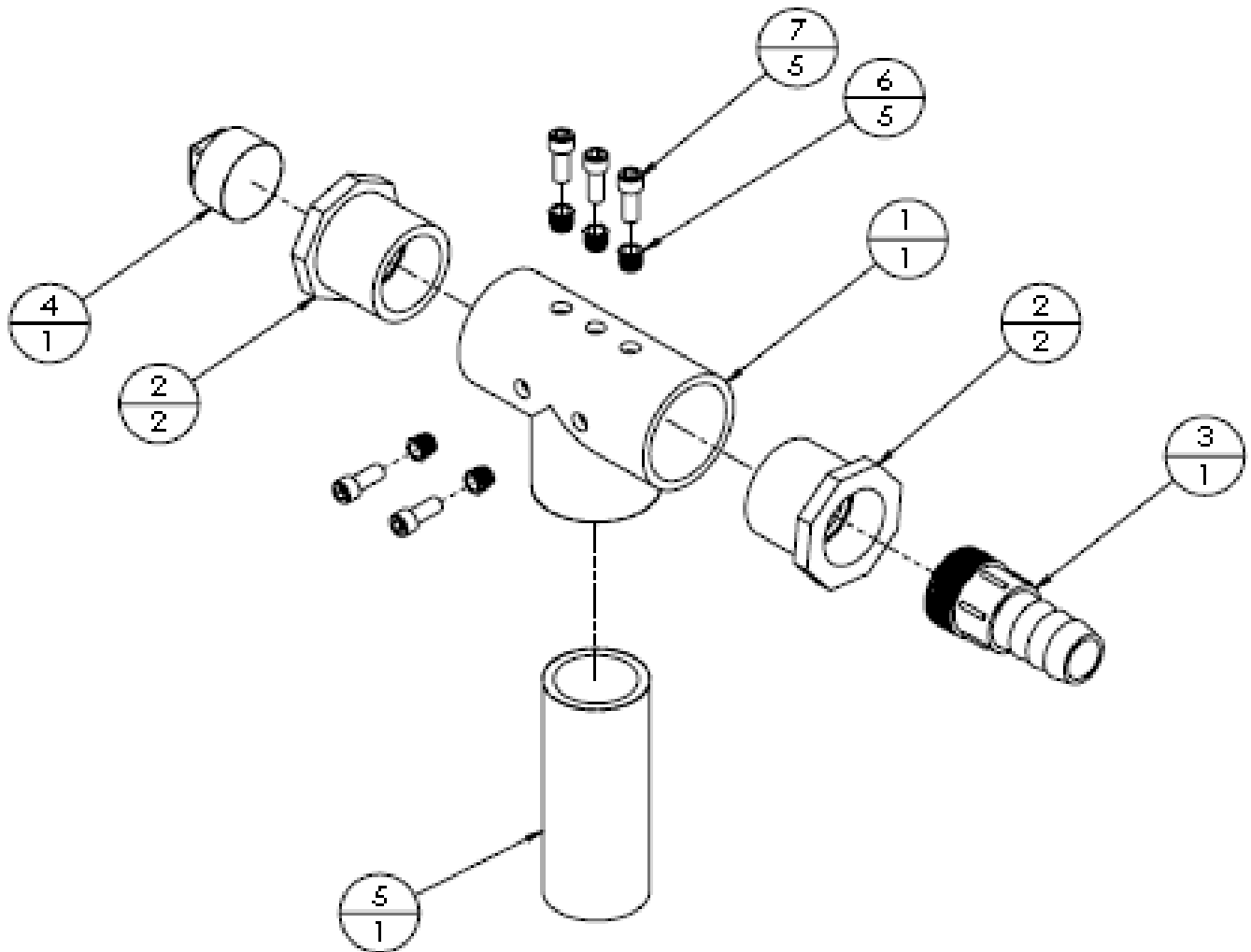
16021-111



16021-110

**VACUUM PUMP INTAKE ASSEMBLY 16020-650r1 (FIG 4B)**

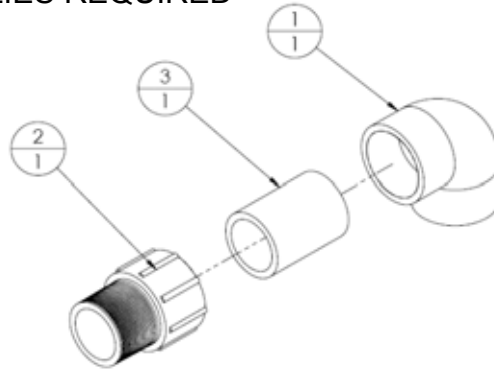
ITEM	PART NO.	QTY.	DESCRIPTION
1	16018-058	1	TEE, PVC, 1-1/4 SLIP W/ THREADED INSERT (ITEM 9)
2	99028-164	2	BUSHING, REDUCER, PVC, 1"NPT X 1-1/4 PVC
3	99028-165	1	HOSE BARB, NYLON, 1" HOSE X 1" NPT
4	99028-234	1	PLUG, PVC, 1"
5	16018-026	1	PIPE, PVC SECTION, 1-1/4 X 4" L
6	99028-229	5	THREADED INSERT, 1/4-20
7	-	5	SHCS, 1/4-20 X 5/8



**INTAKE PVC ASSEMBLY 16020-494 (FIG 4C)**

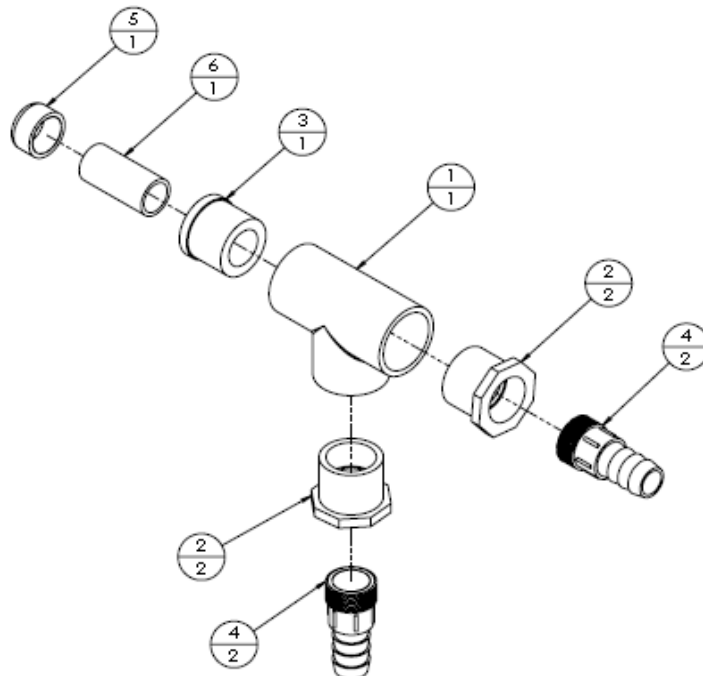
ITEM	PART NO.	QTY.	DESCRIPTION
1	99028-106	1	ELBOW, 90 DEG PVC, 1-1/4 SLIP
2	99028-105	1	ADAPTER, MALE, 1-1/4NPT X 1-1/4 PVC
3	16018-024	1	PIPE, PVC SECTION, 1-1/4 X 2.25 L

NOTE: QTY (2) ASSEMBLIES REQUIRED



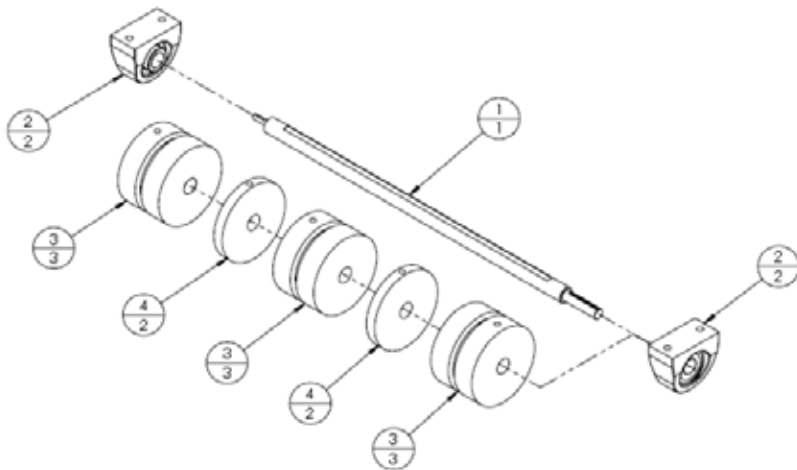
**PVC TEE ASSEMBLY 16020-669 (FIG 4D)**

ITEM	PART NO.	QTY.	DESCRIPTION
1	99028-146	1	TEE PVC, 1-1/4 SLIP
2	99028-164	2	ADAPTER, MALE, 1"NPT X 1-1/4 PVC
3	99028-212	1	FITTING, REDUCER, 1-1/4 X 3/4" PVC SLIP
4	99028-165	2	HOSE BARB, 1"NPT-1"HOSE
5	99028-113	1	CAP, PIPE 3/4" SLIP PVC
6	16018-016	1	PIPE, PVC SECTION, 3/4 X 2.25" L



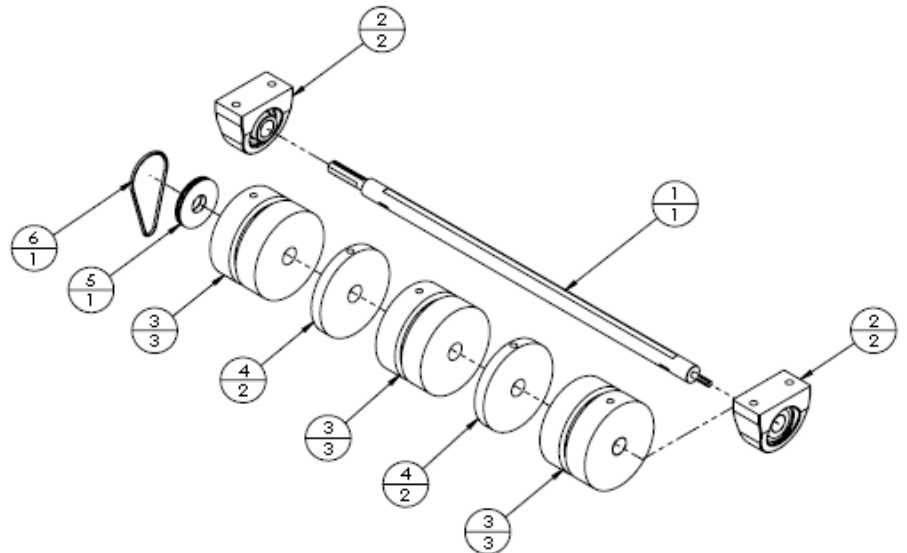
**DRIVE ROLLER ASSEMBLIES (Fig. 5A)**

ITEM	PART NO.	QTY.	DESCRIPTION
	<b>16020-626</b>	<b>1</b>	<b>ASSY, DRIVE ROLLER</b>
1	16004-230	1	SHAFT, DRIVE, ENCODER
2	99003-132	2	BEARING, PILLOW BLOCK, 3/4B
3	16006-175	3	PULLEY, DRIVE
4	16006-179	2	PULLEY, SPACER
5	-	5	SET SCREW, CUP, 1/4-20 X 1/4 (ITEMS 3 &4)
	<b>16020-625</b>	<b>1</b>	<b>ASSY, DRIVE ROLLER W/ O-RING</b>
1	16004-230	1	SHAFT, DRIVE, ENCODER
2	99003-132	2	BEARING, PILLOW BLOCK, 3/4B
3	16006-175	3	PULLEY, DRIVE
4	16006-179	2	PULLEY, SPACER
5	16006-178	1	PULLEY, O-RING DRIVE
6	16014-048	1	BELT, O-RING, TRANSITION
7	-	5	SET SCREW, CUP, 1/4-20 X 1/4 (ITEMS 3 &4)
8	-	1	SET SCREW, CUP, #6-32 X 1/4 (ITEM 5)



16020-626

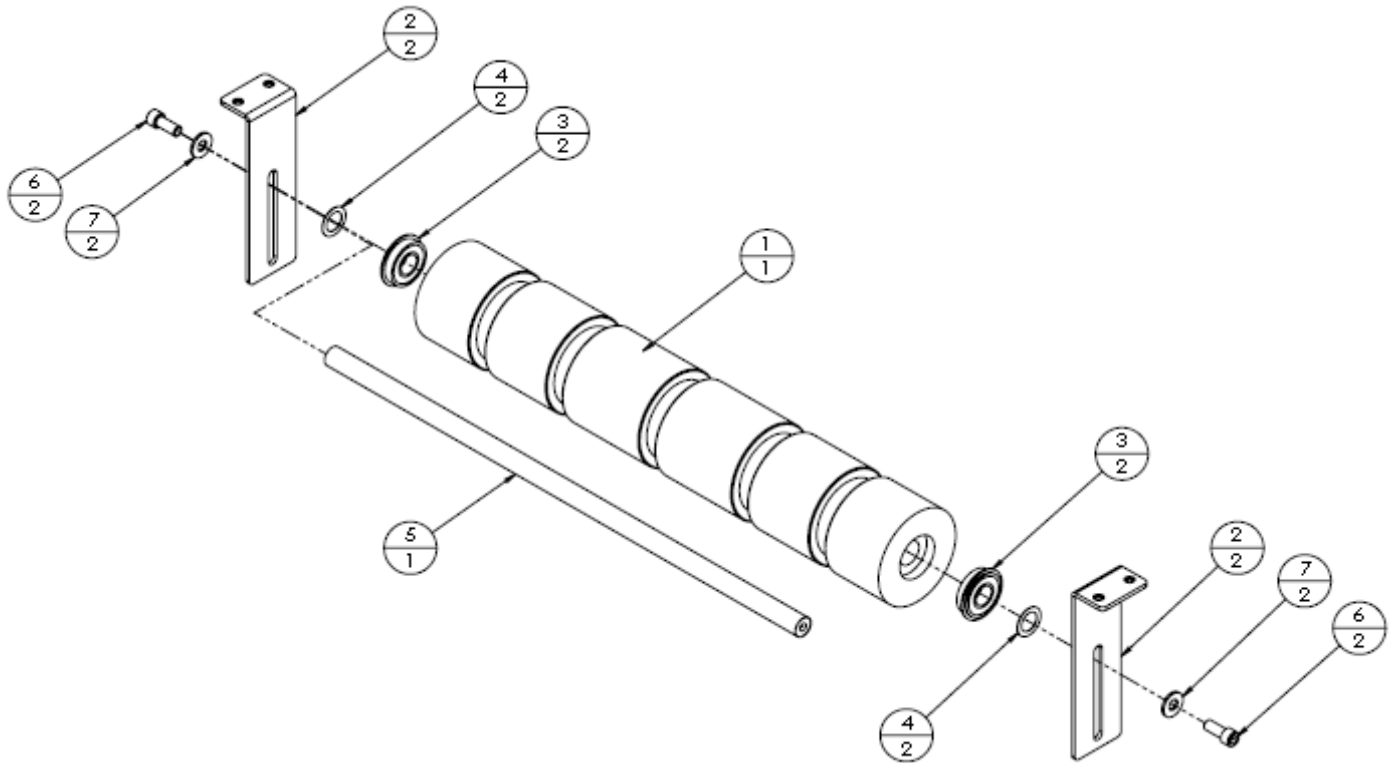
16020-625



**TENSIONER ASSEMBLY 16020-637r1 (Fig. 5B)**

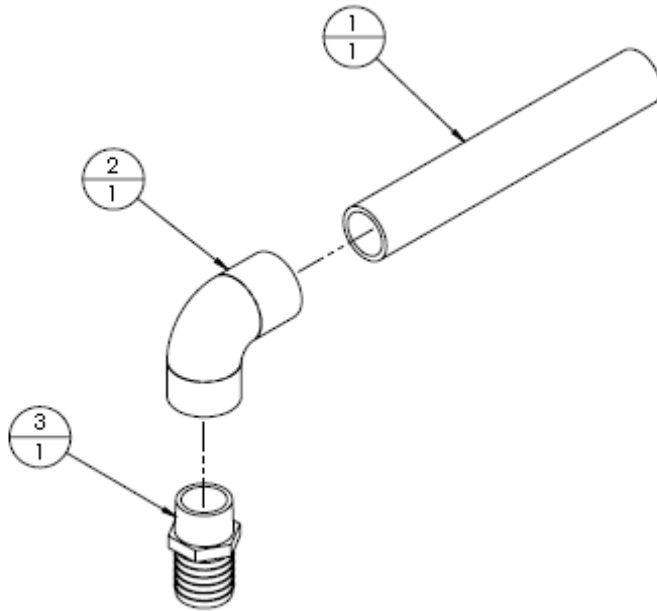
ITEM	PART NO.	QTY.	DESCRIPTION
1	16006-173	1	ROLLER TENSIONER
2	16009-183	2	BRACKET, TENSIONER MTG
3	99003-047	2	BEARING, 1/2 X 1-1/8
4	99036-004	2	SHIM, BEARING, 1/2 X 3/4
5	16004-231	1	SHAFT, IDLER ROLLER
6	-	2	SHCS, 1/4-20 X 5/8
7	-	2	FW, 1/4

NOTE: QTY (3) REQUIRED FOR FIT-56



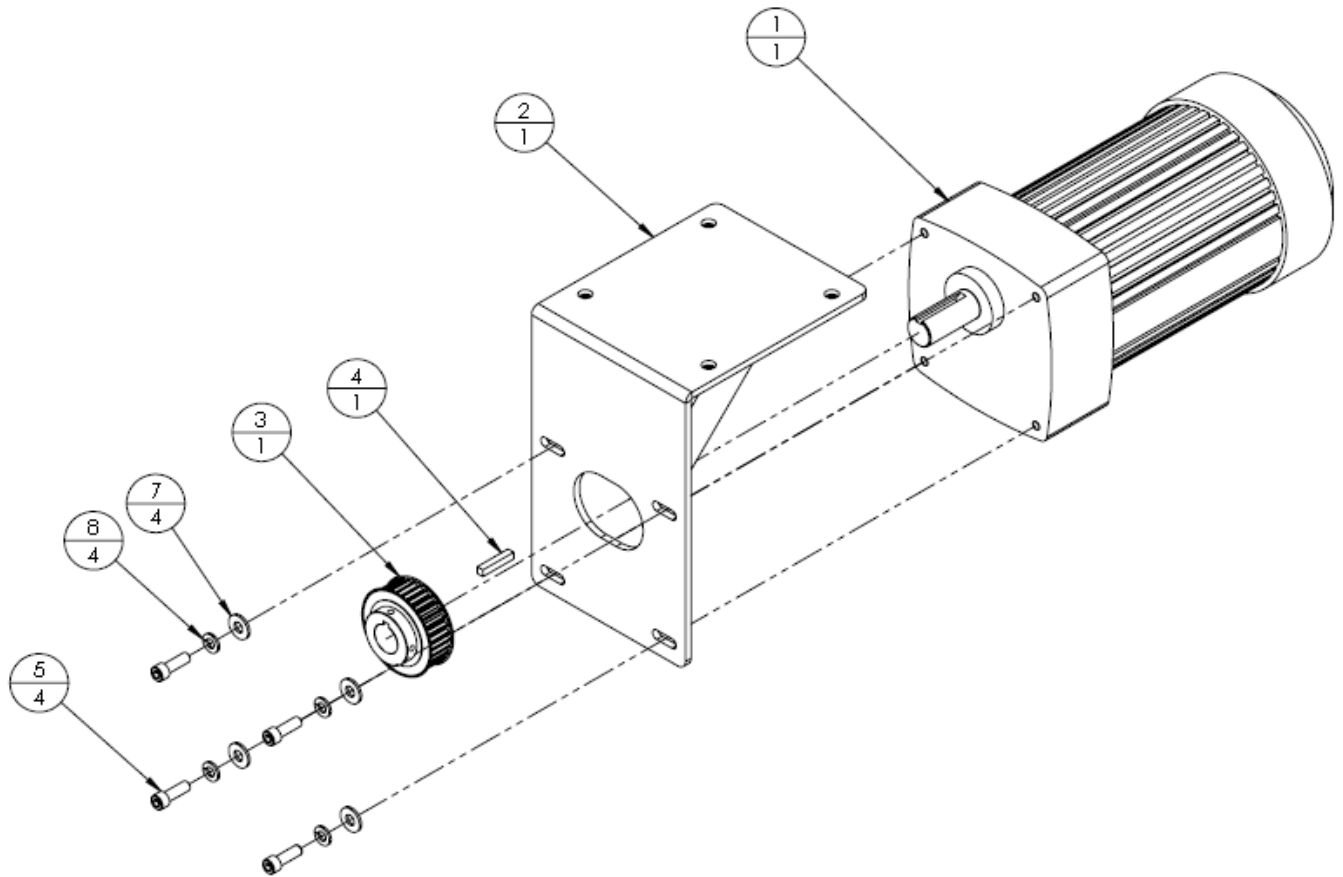
**MANIFOLD PVC ASSEMBLY 16020-644 (FIG 5C)**

ITEM	PART NO.	QTY.	DESCRIPTION
1	16018-057	1	PIPE, PVC SECTION, 3/4 X 6.75 L
2	99028-227	1	ELBOW, 90 DEG PVC, 3/4 SLIP X 3/4NPT
3	99028-228	1	HOSE BARB, NYLON, 1" HOSE X 3/4 FPT



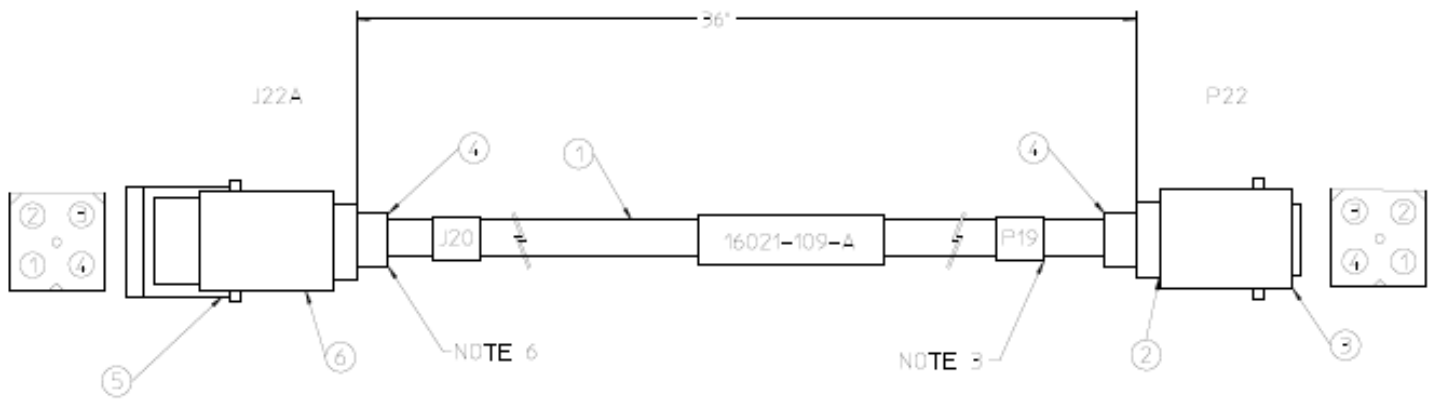
**DRIVE MOTOR ASSY 16020-636r1 (Fig. 5D)**

ITEM	PART NO.	QTY.	DESCRIPTION
	<b>16021-113</b>	<b>1</b>	<b>ASSY, MOTOR</b>
1	99001-066	1	MOTOR, 3/8 HP, 340 RPM, 5:1
2	16009-181	1	BRACKET, MOTOR MTG
3	99002-169	1	PULLEY, TIMING, HTD, 34-5M-15, 3/4B
4	99034-002	1	KEY, SQ, 3/16 X 1
5	-	4	SHCS, 1/4-28 X 3/4
6	-	1	SET SCREW, FLAT, #10-24 X 1/4 (ITEM 3)
7	-	4	WASHER, FLAT, 1/4
8	-	4	LOCKWASHER, 1/4
N/S	98003-074	1	SLEEVE HOUSING
N/S	98003-071	1	PLUG, 3 POSITION MALE,



**MOTOR DRIVE CABLE ASSY 16021-109rA (Fig. 5E)**

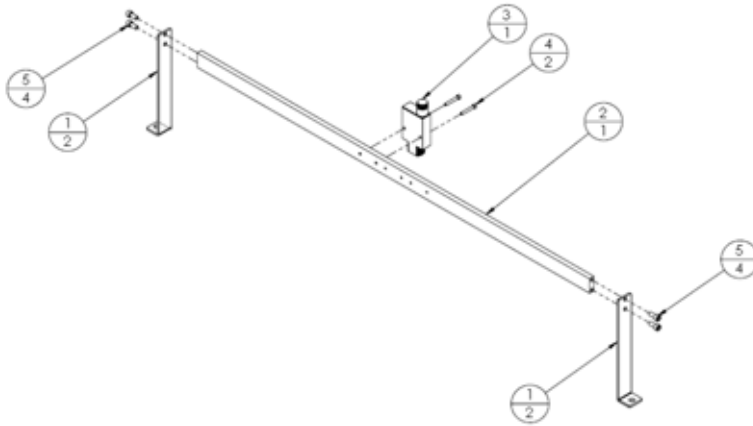
ITEM	PART NO.	QTY.	DESCRIPTION
1	99010-034	3 FT	CABLE, 14/4
2	98003-074	1	SLEEVE HOUSING
3	98003-071	1	PLUG, 3 POSITION MALE,
4	98019-040	2 "	HEAT SHRINK, 1/2"
5	98003-070	1	PLUG, 3 POSITION FEMALE,
6	98003-073	1	COUPLING HOUSING W/ LOCK LATCH





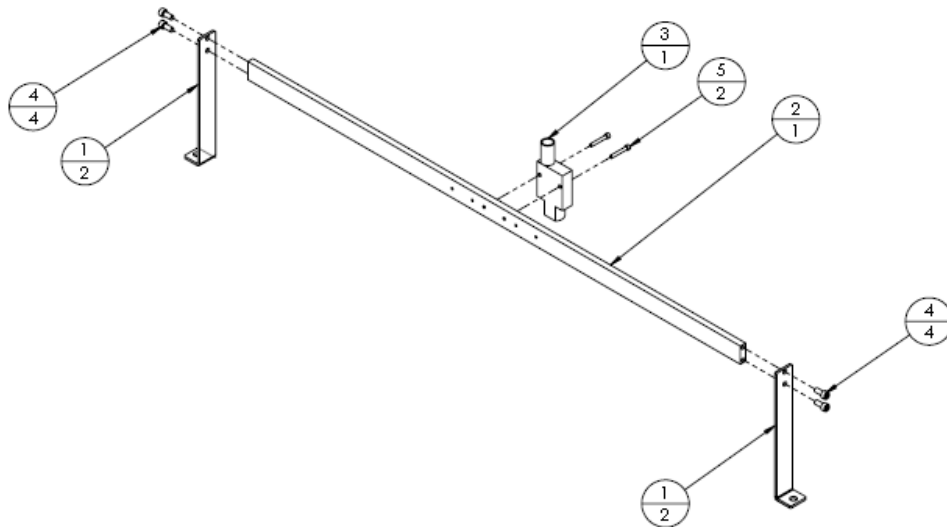
**SENSOR BAR ASSY 16020-622 (FIG 6A)**

ITEM	PART NO	QTY	DESCRIPTION
1	16009-185	2	BRACKET, SENSOR SUPPORT, FRONT
2	16008-196	1	BAR, DRAG STRAP MTG
3	98009-021	1	BANNER, MINI BEAM
4	-	2	SHCS, #4-40 X 3/4
5	-	4	SHCS, #8-32 X 3/8



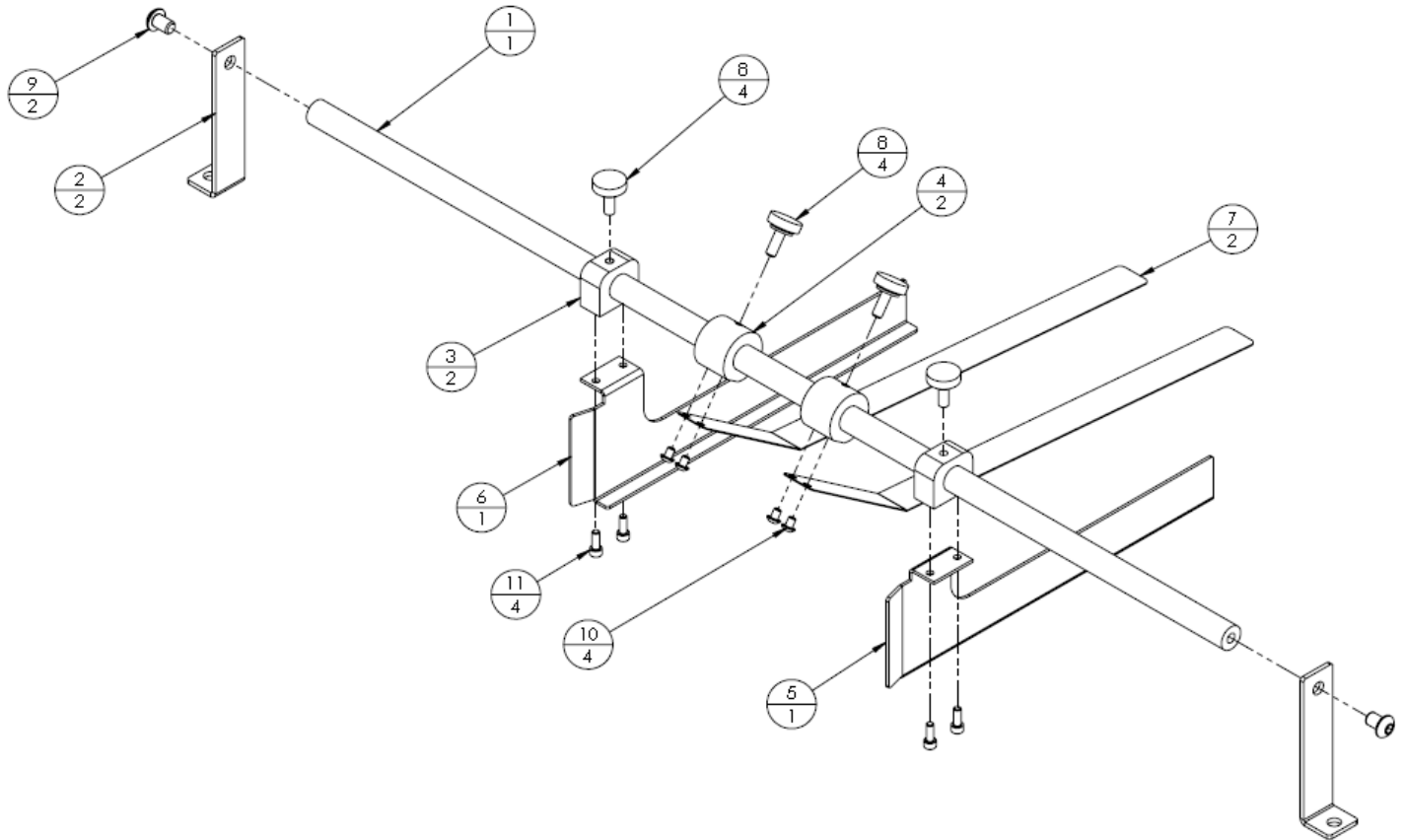
**SENSOR BAR ASSY 16020-691 (FIG 6B)**

ITEM	PART NO	QTY	DESCRIPTION
1	16009-185	2	BRACKET, SENSOR SUPPORT, FRONT
2	16008-196	1	BAR, DRAG STRAP MTG
3	98009-036	1	BANNER, MINI BEAM
4	-	2	SHCS, #4-40 X 3/4
5	-	4	SHCS, #8-32 X 3/8



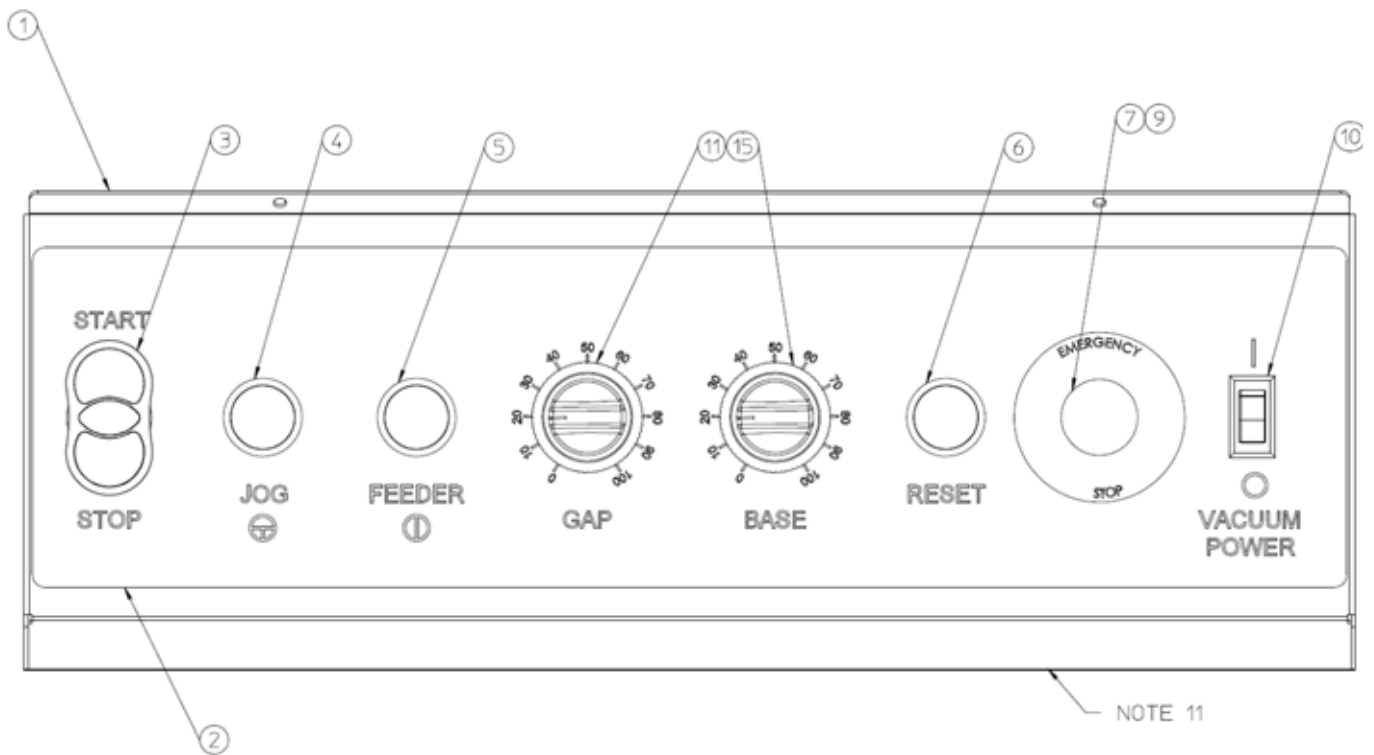
**INFEED GUIDE ASSY 16020-666 (FIG 7)**

ITEM	PART NO	QTY	DESCRIPTION
1	16004-238	1	SHAFT, DRAG STRAP MTG
2	16009-206	2	BRACKET, SIDE GUIDE SUPPORT
3	16007-253	2	BLOCK, SIDE GUIDE MTG
4	16007-251	2	BLOCK, DRAG STRAP MTG
5	16005-089	1	GUIDE, RH SIDE
6	16005-090	1	GUIDE, LH SIDE
7	18005-105	2	GUIDE, SPRING STEEL, 12" L
8	10020-317	4	ASSY, KNOB #10-24 X 1/2
9	-	2	BHCS, 1/4-20 X 3/8
10	-	4	PHMS, #6-32 X 3/16
11	-	4	SHCS, #6-32 X 3/8



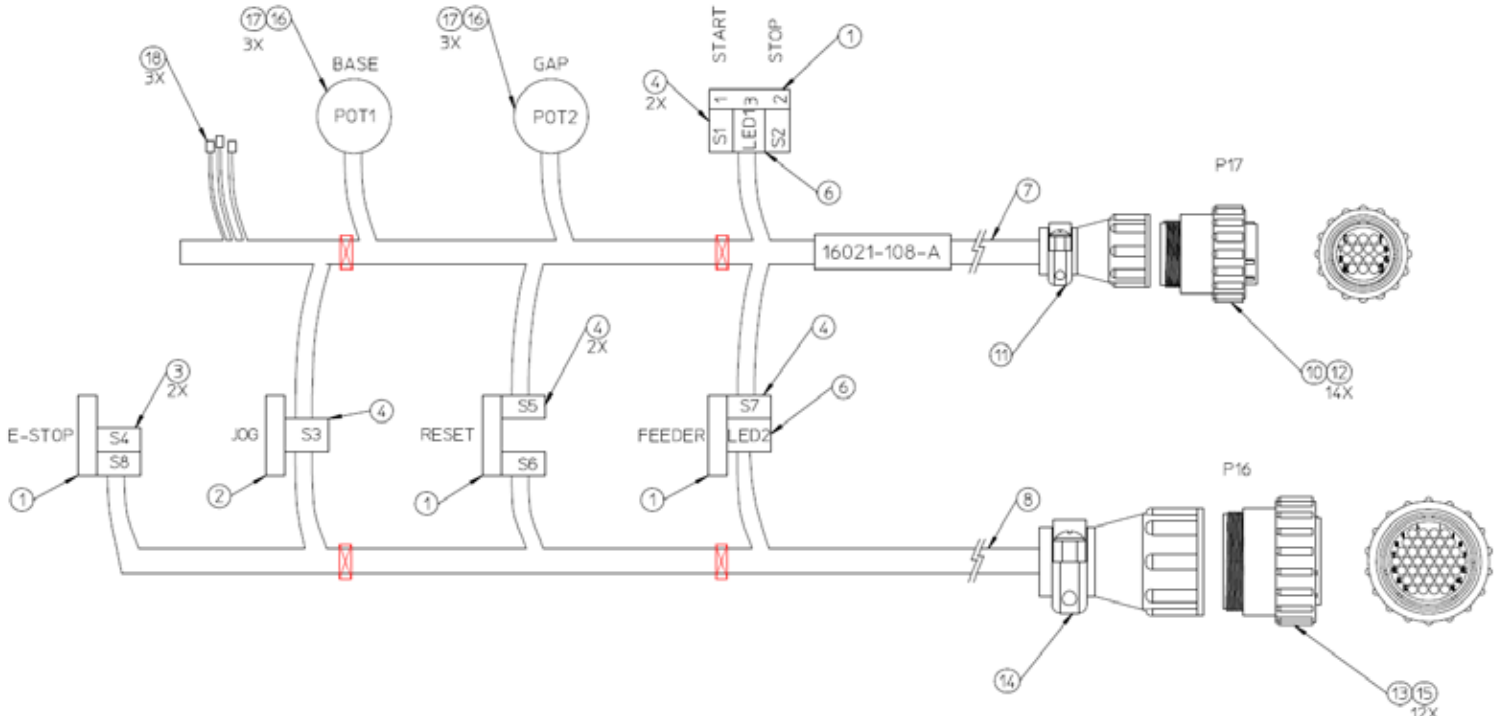
**CONTROL PANEL ASSEMBLY (16021-104rA) (Fig. 8A)**

ITEM	PART NO.	QTY.	DESCRIPTION
1	16013-339	1	ENCLOSURE, CONTROL CONSOLE
2	16015-034	1	LABEL, CONSOLE
3	98000-100	1	PUSHBUTTON, ILLUMINATED, GREEN
4	98000-118	1	JOG, PUSHBUTTON, TEXT AND SYMBOL
5	98000-099	1	PUSHBUTTON, ILLUMINATED, FLUSH
6	98000-097	1	RESET, PUSHBUTTON, RED
7	98000-113	1	E-STOP, MUSHROOM HD, NON-ILLUMINATED
9	98000-111	1	E-STOP PLATE
10	98000-041	1	SWITCH, ROCKER-WHITE
11	98006-035	2	KNOB LOCK
15	98006-021	2	KNOB, POTENTIOMETER



**CONTROL PANEL HARNESS ASS'Y (16021-108rA) (Fig. 8B)**

ITEM	PART NO.	QTY.	DESCRIPTION
1	98000-103	4	CLIP, THREE POSITION
2	98000-102	1	CLIP, ONE POSITION
3	98000-108	2	CONTACT BLOCK, NC, GOLD PLATED
4	98000-105	6	CONTACT BLOCK, 1XNO, PROTECTED
5	98019-027	13	CABLE TIE
6	98000-110	2	LED BLOCK, WHITE
7	98010-183	8.5 FT	CABLE, 18/15 SHIELDED
8	98010-018	8.5 FT	CABLE, 24/15 SHIELDED
10	98016-092	1	PLUG, 17-14 REVERSING
11	98016-008	1	BACKSHELL, PLASTIC, SIZE 13
12	98016-059	14	CONTACT, PIN, 18-14 AWG
13	98016-097	1	PLUG, 37 POSITION
14	98016-014	1	BACKSHELL, PLASTIC, SIZE 23
15	98016-025	12	CONTACT, PIN, 24-20 AWG
16	98006-036	2	SPEED POT, 10KΩ



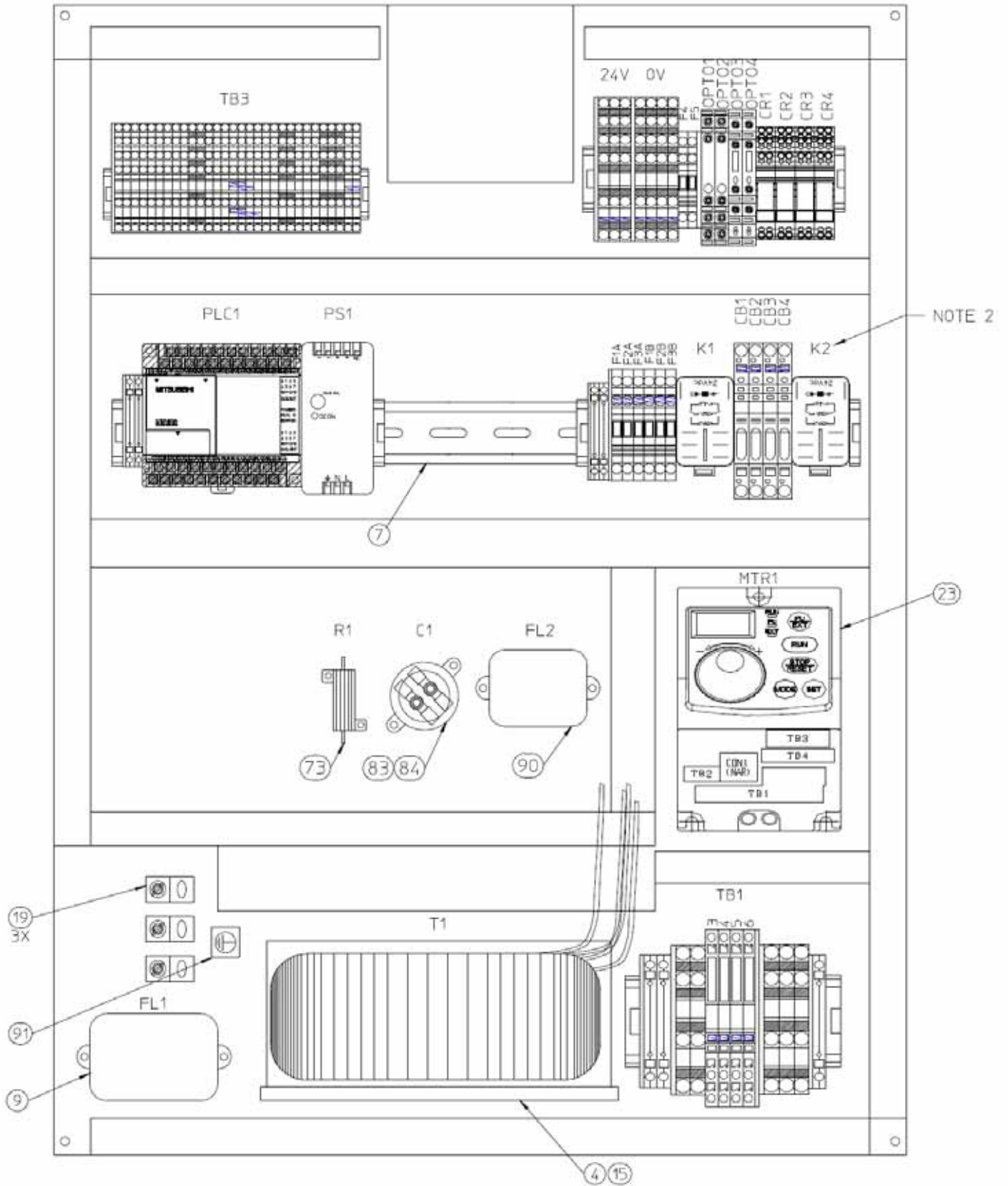
**MAIN ELECTRICAL ENCLOSURE (16021-105rB2) (Fig. 9)**

ITEM	PART NO.	QTY.	DESCRIPTION
1	16013-288	1	MAIN CONTROL ENCLOSURE
2	16013-290	1	ENCLOSURE COVER
3	12013-050	1	BACK PANEL
4	16009-180	1	TRANSFORMER BRACKET
5	98016-222	1	RING TERMINAL, 1/4, 14-16 AWG
6	98012-003	10.2 FT	DUCT, WIREWAY W/ COVER, 1 X 3
7	98001-022	3.5 FT	DIN RAIL
8	98008-026	1	TRANSFORMER, 234/117, 220VA
9	98020-104	1	FILTER-RFI, 115/250V, 16A
12	98001-134	5	TERMINAL, QUAD
13	98001-131	8	TERMINAL, 3 WIRE
14	98001-138	7	GROUND TERMINAL
15	98001-123	9	ENDSTOP
16	98001-132	2	COVER
17	98001-136	2	COVER, DUAL/QUAD TERMINAL
18	98001-140	4	END COVER, GROUND
19	98019-068	1	STRAIGHT PRESSURE TONGUE
20	98002-060	2	RELAY, DPDT, 30A, 24VDC,
21	98001-114	4	TERMINAL BLOCK FOR CIRCUIT BREAKER
22	98013-133	1	VFD, FR-D720S-042-NA, 1 PH
23	98013-054	1	PLC, FX1N-24 MR-ES/UL
24	98011-018	1	POWER SUPPLY, 24V, 1.25A
25	98020-070	2	OUTPUT MODULE,
26	98013-015	2	OPTP ISOLATOR
27	98002-058	4	RELAY, DPDT, 24V AC/DC
28	98001-139	23	TERMINAL, DUAL (ALT: 98001-147)*
29	98001-135	14	TERMINAL, SHORTED (ALT: 98001-148)*
30	98001-137	3	END COVER, DOUBLE LAYER (ALT: 98001-149)*
31	98001-130	4	BRIDGE, 2 POSITION
32	98001-145	2	JUMPER, 3-WAY, FUSE BLOCK
33	98001-129	1	BRIDGE, 3 POSITION
34	98001-126	8	FUSE HOLDER, POP-OFF
35	98004-089	2	CIRCUIT BREAKER, 4A
36	98004-088	2	CIRCUIT BREAKER, 3 A
49	98010-226	2	CORDSET, 4 SOCKET EURO
50	98015-027	2	CORD GRIP, 1/2 GRAY
51	98010-250	15 FT	HAR CABLE, 18/3
52	98010-182	2 FT	HAR CABLE, 16/3
53	98010-237	15 FT	HAR CABLE, 14/3
54	98016-103	3	RECEPTACLE, SQ FL, 37 POSITION
55	98016-091	1	RECEPTACLE, SQ FL, 17-14 POSITION
56	98016-011	5	RECEPTACLE, SQ FL, 11-4 POSITION
57	98015-003	2	LOCKNUT, 1/2

## **PITNEY BOWES**

58	98015-001	2	STRAIN RELIEF, 1/2
59	98016-093	5	RECEPTACLE, SQ FL, 17-9
60	98001-144	2	JUMPER, 2-WAY
63	98001-143	1	BRIDGE, 4 POSITION
64	98004-098	1	CIRCUIT BREAKER, 15A
65	98003-010	1	PLUG, 3 PIN, 15A
66	98004-019	1	FUSE, 0.5 A, 250V
67	98004-070	5	FUSE, 1.25A
68	18021-165	1	GROUND STRAP ASSY
69	98004-096	2	FUSE, 3.15A
70	98015-023	3	FINISHING PLUG, 7/8
71	98016-028	3	CONTACT, SOCKET, 16-12 AWG
72	98016-027	129	CONTACT, SOCKET, 24-20 AWG
73	98020-038	1	POWER RESISTER, 15Ω, 50W
74	98016-060	4	CONTACT, SOCKET, 18-14 AWG
75	98016-002	1	RECEPTACLE, SQ FL, 17-3
76	98001-073	2	BRIDGE, 2 POSITION
77	98001-107	4	TERMINAL BLOCK, DUAL
78	98001-108	1	SIDE COVER, TERMINAL BLOCK, DUAL
79	98003-024	1	PLUG, MIDGET
83	98020-036	1	CAPACITOR, 2200 μF
84	98020-037	1	CAP MTG HARDWARE
86	98000-121	1	SWITCH, DPDT, ON-ON
87	16011-373	1	IEC-320, COVER PLATE
88	16008-218	1	BAR, BOARD BLANK,
89	98003-049	OPT	RECEPTACLE, AC, IEC-320
90	98020-107	1	FILTER-RFI, 115/250V, 3A
91	99039-069	1	HIGH VOLTAGE DECALS

NOTE: ITEMS MARKED WITH \* ARE ALTERNATE COMPONENTS THAT CANNOT BE USED WITH EXISTING COMPONENTS-NO MIXING PERMITTED.



**ASSEMBLY, PRODUCT GUIDE, RH & LH (Fig. 10 OPTIONAL)**

ITEM	PART NO.	QTY.	DESCRIPTION
	<b>16020-623r1</b>	<b>1</b>	<b>ASSY, PRODUCT GUIDE, RH (FIG 10A)</b>
1	16007-238	1	BLOCK, SIDE GUIDE MTG (LONG)
2	12005-009	1	GUIDE, RH SIDE
3	-	2	SCREW, FLAT HD, #8-32 X 1/2
	<b>16020-624r0</b>	<b>1</b>	<b>ASSY, PRODUCT GUIDE, LH (FIG 10B)</b>
1	16007-238	1	BLOCK, SIDE GUIDE MTG (LONG)
2	12005-010	1	GUIDE, LH SIDE
3	-	2	SCREW, FLAT HD, #8-32 X 1/2
N/S	99004-019	2	KNOB, #10-24 MALE

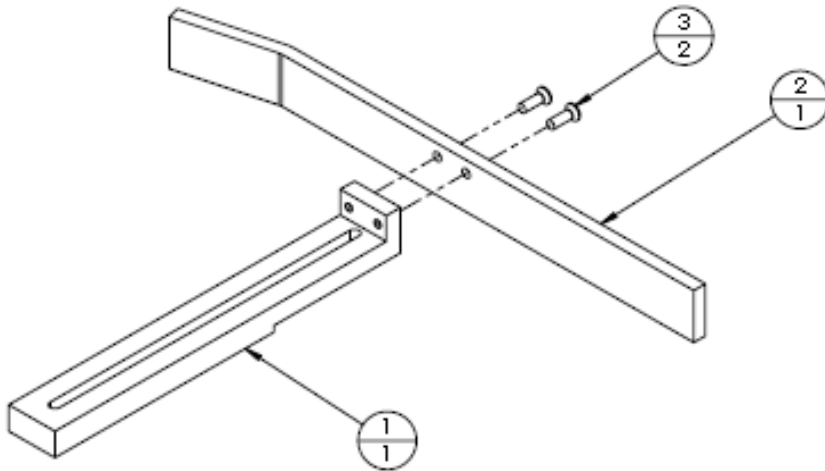


FIG 10A

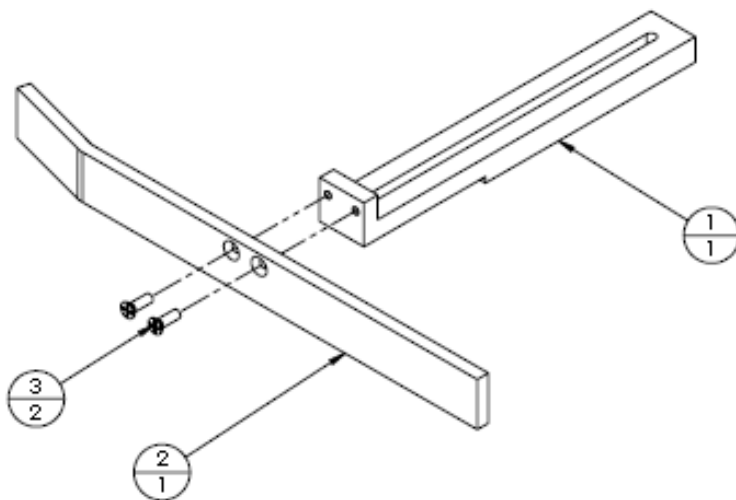
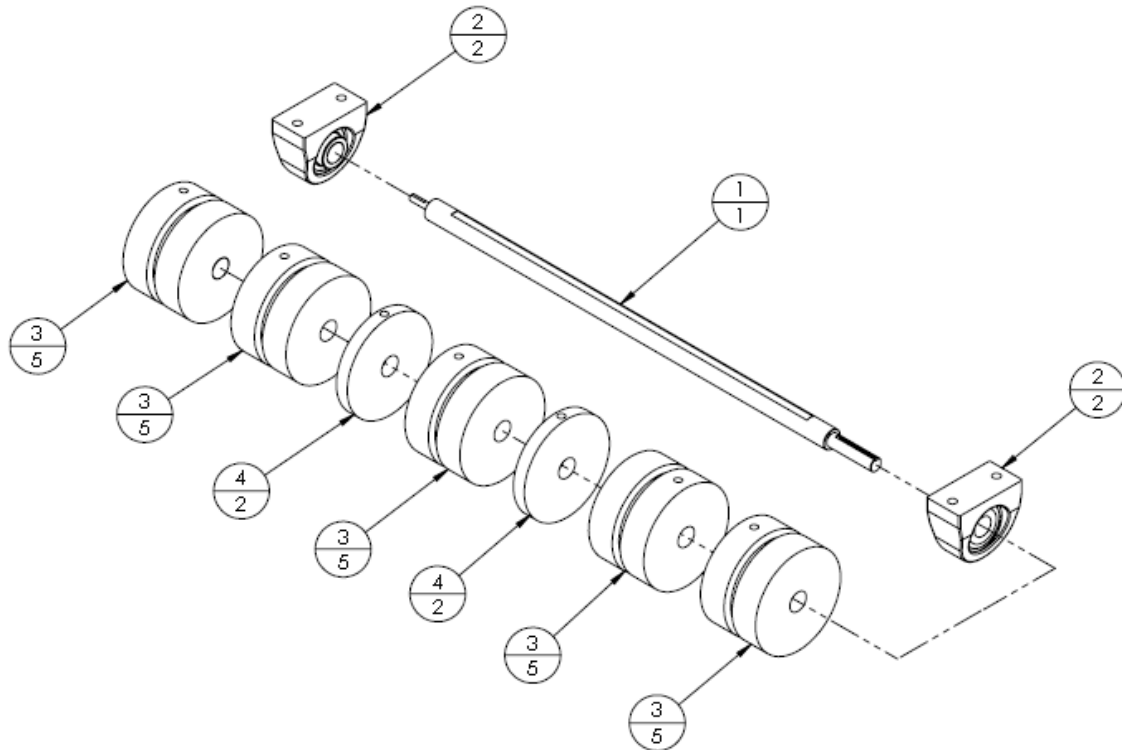


FIG 10B



**DRIVE ROLLER ASSY-5 BELT OPTION (Fig. 11)**

ITEM	PART NO.	QTY.	DESCRIPTION
			<b>ADD TO FIT BASE</b>
	<b>16020-685</b>	<b>2</b>	<b>ASSY, DRIVE ROLLER-5 BELTS</b>
1	16004-230	1 EA	SHAFT, DRIVE, ENCODER
2	99003-132	2 EA	BEARING, PILLOW BLOCK, 3/4B
3	16006-175	5 EA	PULLEY, DRIVE
4	16006-179	2 EA	PULLEY, SPACER
5	-	5 EA	SET SCREW, CUP, 1/4-20 X 1/4 (ITEMS 3 &4)
	16014-051	2	BELT, TRANSPORT, 2" W X 116.63"L
	16013-337	1	COVER, DISCHARGE, WIDE
	16013-346	1	COVER, INFEED, WIDE
			<b>DELETE FROM FIT BASE</b>
	<b>16020-625</b>	<b>1</b>	<b>ASSY, DRIVE ROLLER W/ O-RING</b>
	<b>16020-626</b>	<b>1</b>	<b>ASSY, DRIVE ROLLER</b>
	16013-299	1	COVER, DRIVE, DISCHARGE
	16013-308	1	COVER, DRIVE, INFEED



**DRIVE ROLLER ASSY-14.5" BELT OPTION (Fig. 12)**

ITEM	PART NO.	QTY.	DESCRIPTION
			<b>ADD TO FIT BASE</b>
	<b>16020-684</b>	<b>2</b>	<b>ASSY, DRIVE ROLLER-14.5" BELT</b>
1	16004-230	1 EA	SHAFT, DRIVE, ENCODER
2	99003-132	2 EA	BEARING, PILLOW BLOCK, 3/4B
3	16006-175	1 EA	PULLEY, DRIVE
4	16006-183	2 EA	PULLEY, FLAT, 3-7/8" OD
5	-	5 EA	SET SCREW, CUP, 1/4-20 X 1/4 (ITEMS 3 &4)
	16014-062	1	BELT, VACUUM, 14.50" W X 116.63"L
	16013-295	2	COVER, DRIVE PULLEY
			<b>DELETE FROM FIT BASE</b>
	<b>16020-625</b>	<b>1</b>	<b>ASSY, DRIVE ROLLER W/ O-RING</b>
	<b>16020-626</b>	<b>1</b>	<b>ASSY, DRIVE ROLLER</b>
	16014-050	1	BELT SET, TRANSPORT, 2" W X 116.63"L
	16013-299	1	COVER, DRIVE, DISCHARGE
	16013-308	1	COVER, DRIVE, INFEED

