

*PITNEY BOWES*

**FLEXIBLE INK JET  
TRANSPORT  
36" FIT BASE: FIT-36**

***Parts Manual***  
(BOM: FIT36rev1.0)



***DIRECT MAIL SOLUTIONS***

12050 49th STREET NORTH - CLEARWATER, FL. 33762-4301  
PHONE: 727.571.3330 - FAX: 727.571.3443 - TOLL FREE: 1.800.INSERTER  
web: [sure-feed.com](http://sure-feed.com)

**VERSION HISTORY**

The table below summarizes the history of this document as it is published onto the company website(s). It identifies the version, date of issue and revisions and changes.

VERSION	DATE	CHANGES
FIT-36parts_REV0	4-29-09	ORIGINAL RELEASE
FIT-36 parts REV1.0	11-20-09	Revision changes to fig. 1A, 1B, 3, 3A, 3B, 3D, 6, 6B, 11

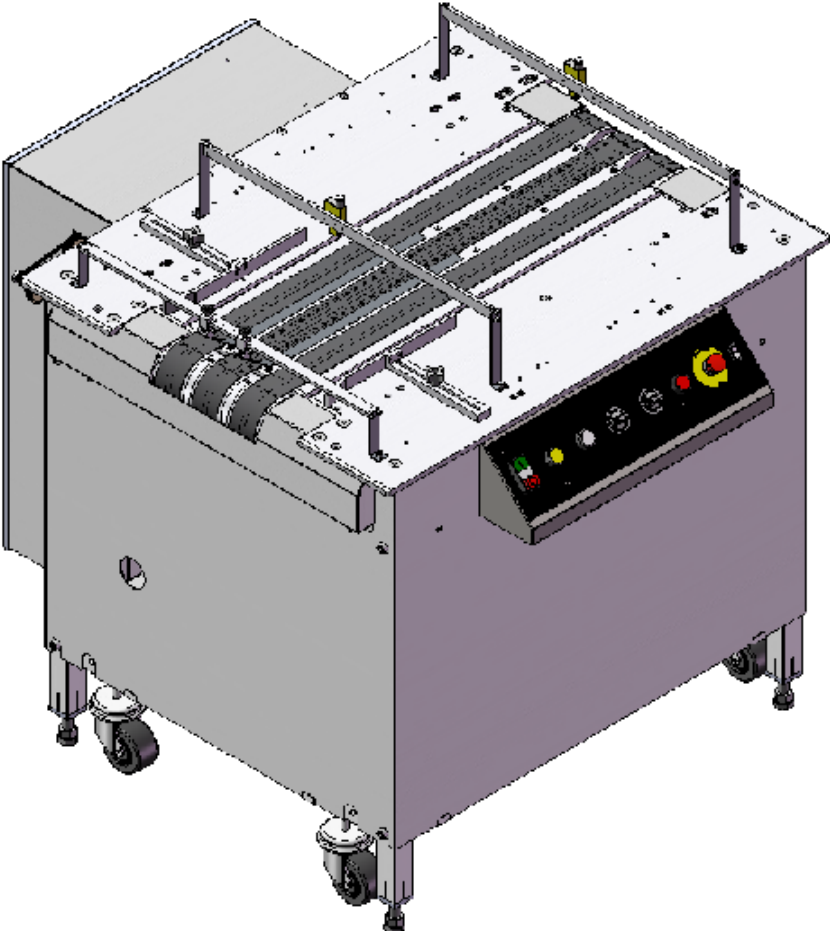
**REVISION CONVENTIONS-DOCUMENT**

**VERSION:** name of document with revision\_level of entire document- level designates minor changes that do not require revision change

**DATE:** date of issue for copying and publication of document.

**CHANGES:** details of document revision\_level.

# **36"FIT INKJET TRANSPORT BASE**



# **TABLE OF CONTENTS**

## **36” FLEXIBLE INK JET TRANSPORT**

<b>FIT-36 BASE ASSEMBLY (FIG. 1A &amp;1B)</b>	<b>4</b>
<b>FRAME ASSY (FIG. 2)</b>	<b>8</b>
<b>VACUUM CONVEYOR (FIG. 3)</b>	<b>9</b>
<b>DRIVE MOTOR (FIG. 3A)</b>	<b>11</b>
<b>DRIVE ROLLERS (FIG. 3B)</b>	<b>12</b>
<b>TENSIONER (FIG. 3C)</b>	<b>13</b>
<b>MANIFOLD PVC (FIG. 3D)</b>	<b>14</b>
<b>MOTOR DRIVE CABLE (FIG 3E)</b>	<b>15</b>
<b>SENSOR BAR (FIG. 4)</b>	<b>16</b>
<b>INFEED GUIDE (FIG. 5)</b>	<b>17</b>
<b>VACUUM PUMP (FIG. 6)</b>	<b>18</b>
<b>BLOWER (FIG. 6A)</b>	<b>19</b>
<b>INTAKE (FIG. 6B)</b>	<b>20</b>
<b>INTAKE PVC (FIG. 6C)</b>	<b>21</b>
<b>CONTROL PANEL (FIG. 7A)</b>	<b>22</b>
<b>CONTROL PANEL HARNESS (FIG. 7B)</b>	<b>23</b>
<b>ELECTRICAL (FIG. 8)</b>	<b>24</b>
<b>PRODUCT GUIDES (FIG. 9 OPTIONAL)</b>	<b>27</b>
<b>5 BELT OPTION (FIG 10)</b>	<b>36</b>
<b>14.5” BELT OPTION (FIG 11)</b>	<b>37</b>

**FIT-36 BASE ASSEMBLY (Fig. 1A)  
(16022-015r1)**

<b>ITEM</b>	<b>PART NO.</b>	<b>QTY.</b>	<b>DESCRIPTION</b>
1	SEE FIG. 2	1	ASSY, FRAME, (16020-621)
2	SEE FIG. 3	1	ASSEMBLY, VACUUM CONVEYOR (16020-640)
3	SEE FIG. 4	2	ASSEMBLY, SENSOR BAR (16020-622, 16020-691)
4	SEE FIG. 5	1	ASSEMBLY, INFEED GUIDE (16020-666)
5	SEE FIG 6	1	ASSY, VACUUM PUMP (16020-630)
6	99031-016	20"	HOSE, 1" ID
7	99017-030	2	HOSE CLAMP, SS, 11/16-1-1/2
8	16020-639	OPT	ASSY, MONITOR STAND
9	16020-565	OPT	ASSY, PRINT HEAD BRIDGE
10	16020-698	OPT	ASSY, ENCODER, PROGRAMABLE
11	-	4	FHCS, 3/8-16 X 1
12	-	4	HEX BOLT, 5/16-18 X 3/4
13	-	10	SHCS, 1/4-20 X 3/8
14	-	2	SHCS, 1/4-20 X 5/8
15	-	2	BHCS, 1/4-20 X 5/8
16	-	4	HEX NUT, 5/16-18
17	-	8	FW, 5/16

See next page for details

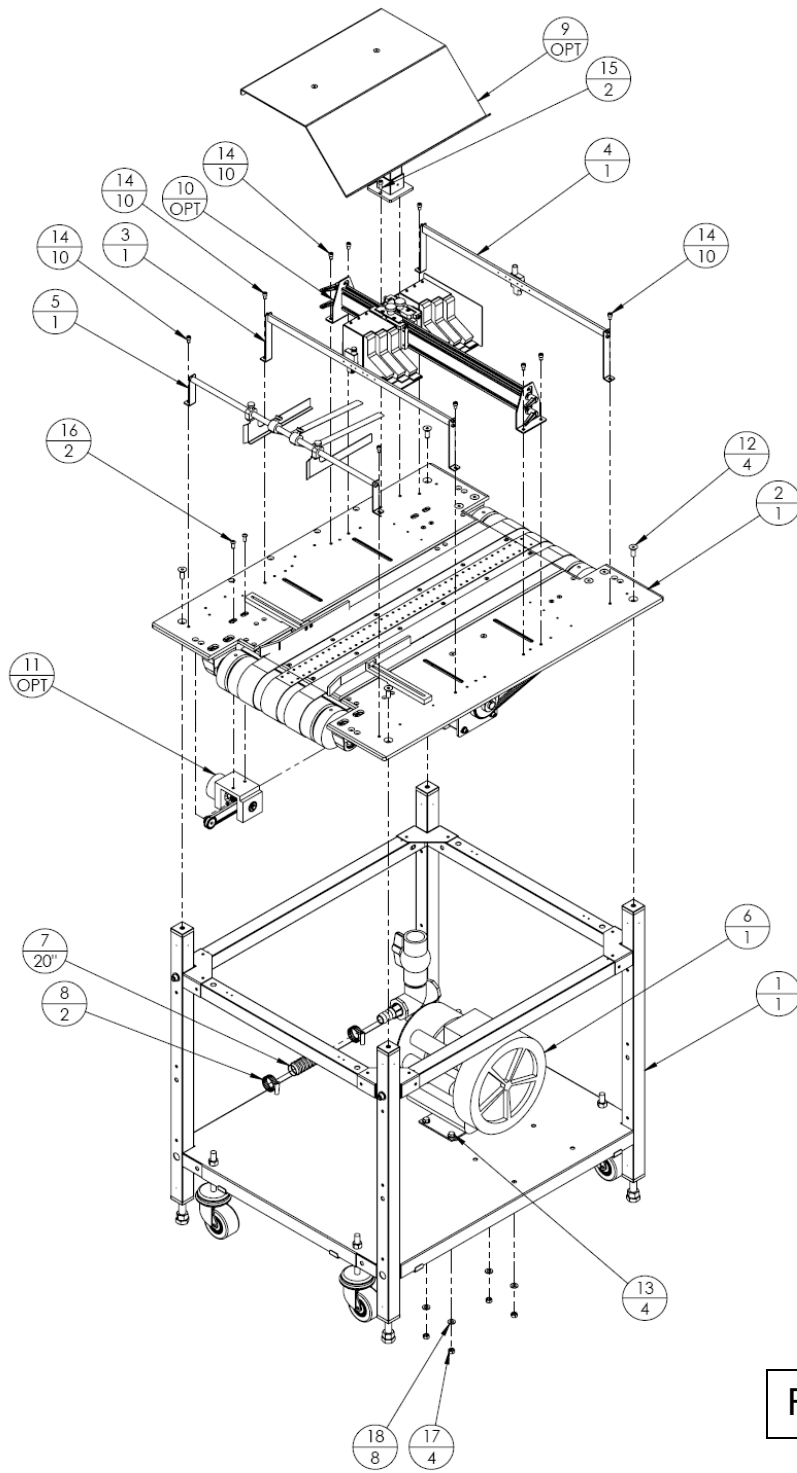


FIG. 1A r1

**FIT-36 BASE ASSEMBLY (Fig. 1B)  
(16022-015r1)**

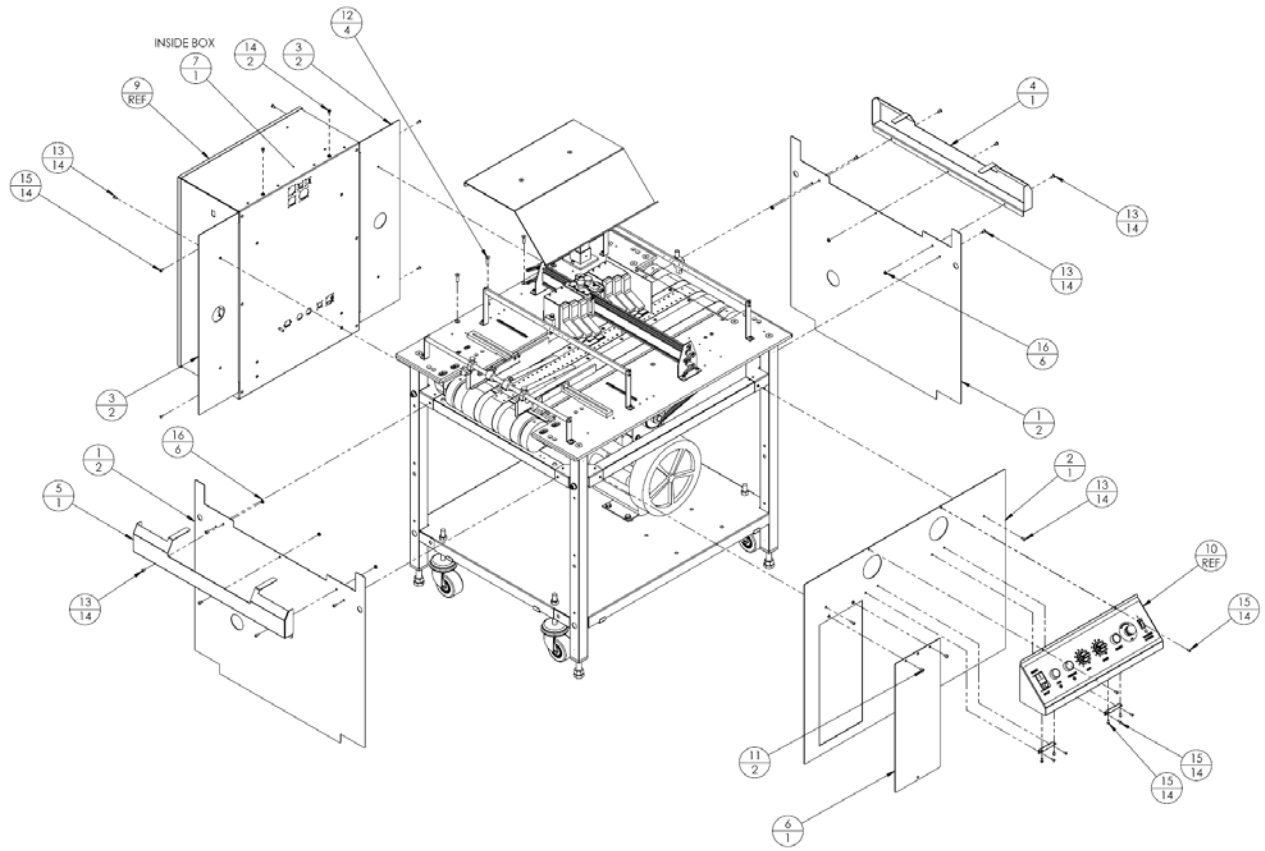
<b>ITEM NO.</b>	<b>PART NUMBER</b>	<b>DESCRIPTION</b>	<b>QTY</b>
2	16013-293	COVER, FRONT	1
3	16013-302	COVER, REAR	2
4	16013-346	COVER, INFEED, WIDE	1
5	16013-337	COVER, DISCHARGE, WIDE	1
6	16013-343	COVER, CPU	1
7	16008-214	BAR, ENCLOSURE MTG.	1
8	16013-013	HINGE, ELECTRICAL CONSOLE	2
<b>9</b>	<b>16021-105</b>	<b>ASSY, ENCLOSURE, MAIN</b>	<b>REF</b>
<b>10</b>	<b>16021-104</b>	<b>ASSY, CONTROL CONSOLE</b>	<b>REF</b>
11	-	BHCS, 1/4-20 X 3/8	2
12	-	FHCS, 1/4-20 X 1	4
13	-	BHCS, #10-24 X 3/8	14
14	-	FHCS, #10-24 X 3/8	2
15	-	BHCS, #8-32 X 3/8	14
16	-	HEX, NUT, NYLOC, #10-24	6

OPTIONS:

- 1-02 (AC, 3-VAC) - ITEM #2 - 16013-365, ITEM#6 - QTY-2
- 2-03 (14.5" BELT) - ITEM #4, #5 - 16013-295

See next page for details

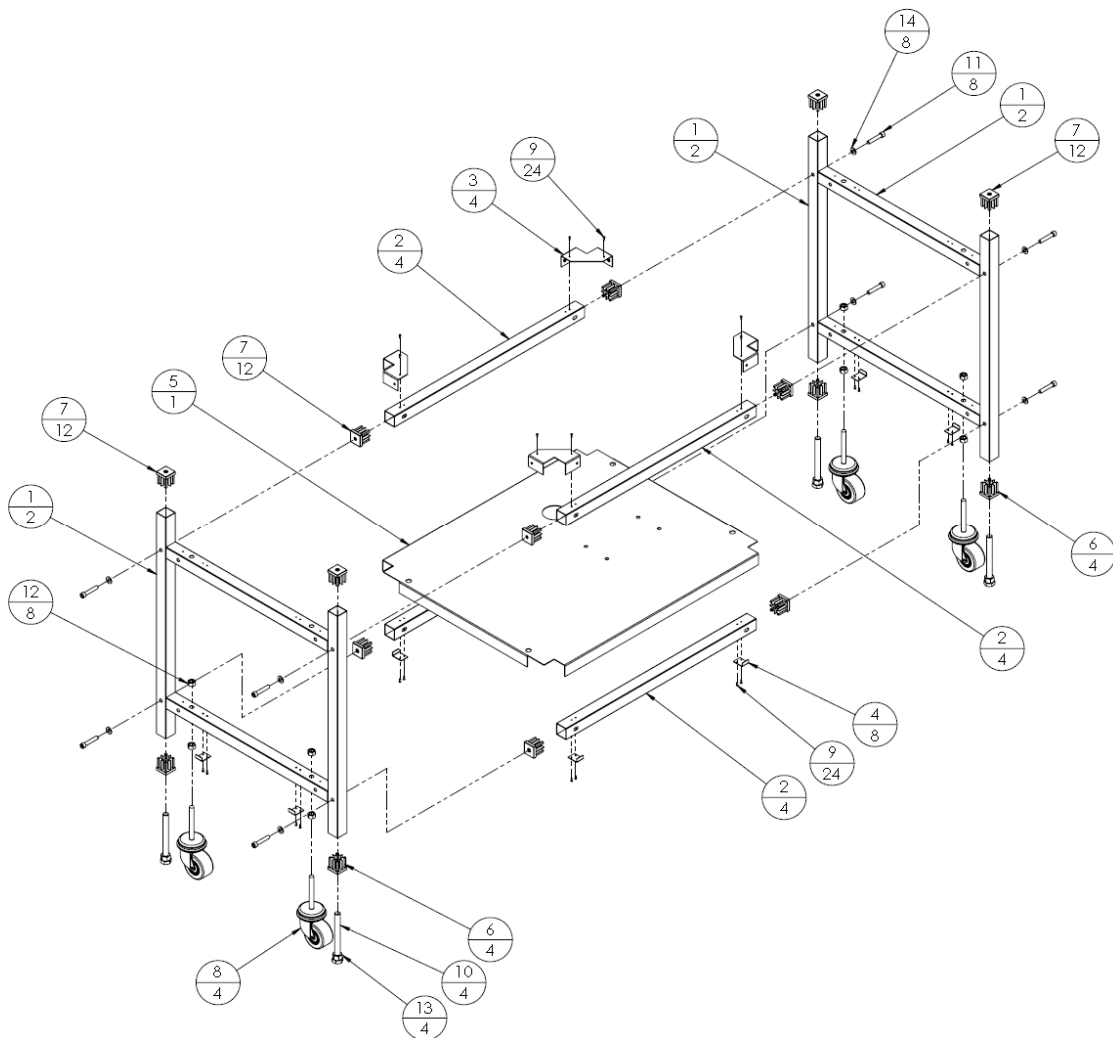
**FIG 1B r0**





**FRAME ASSEMBLY (Fig. 2)  
(16020-621)**

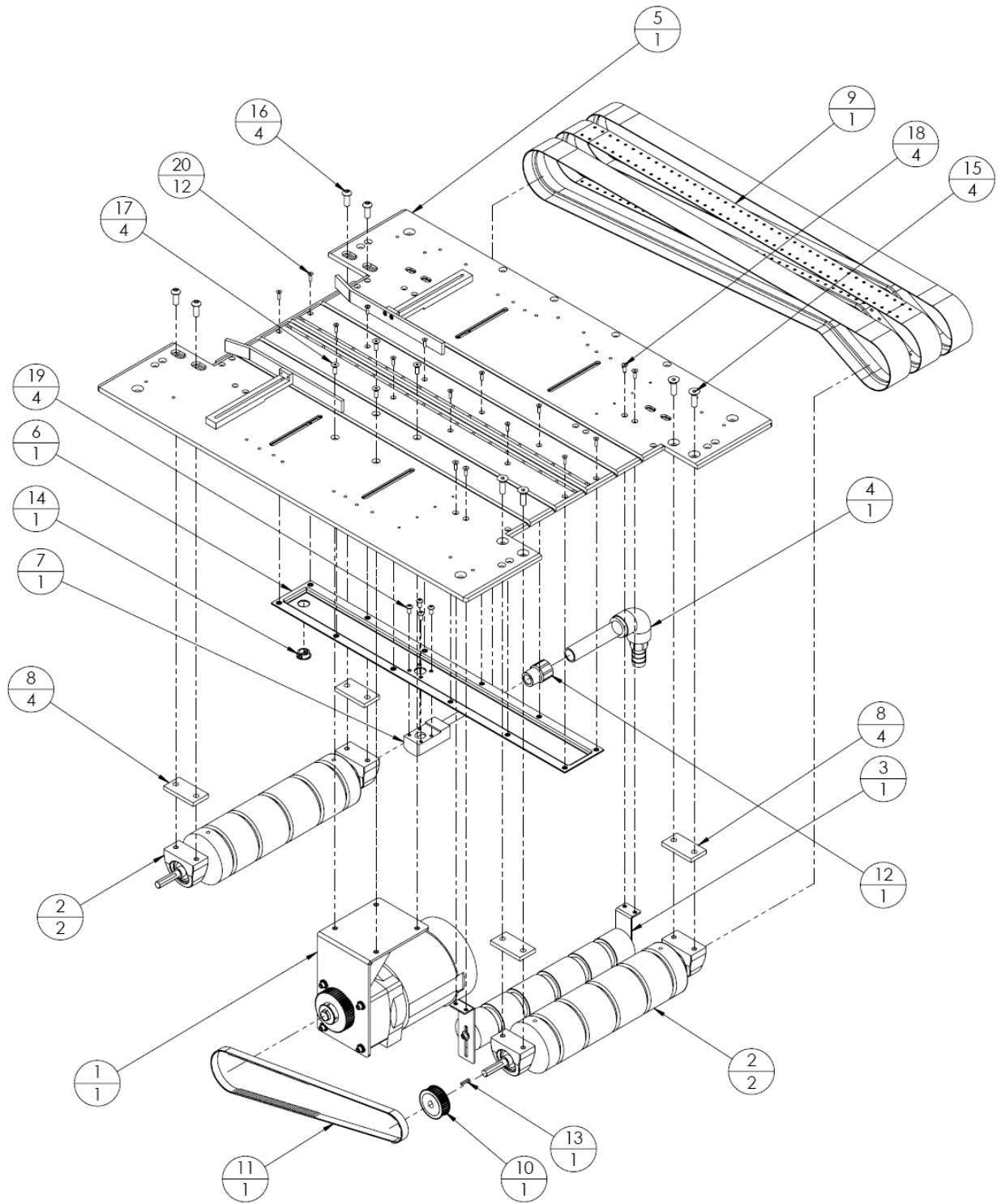
ITEM	PART NO.	QTY.	DESCRIPTION
1	16000-087	2	FRAME, SIDE
2	16003-011	4	CROSSBAR, FRONT
3	16009-188	4	BRACKET, FRAME SUPPORT
4	16009-189	8	BRACKET, COVER SUPPORT
5	16013-292	1	COVER, FLOOR
6	99038-005	4	TUBE END, THREADED, 5/8 -11 (FEET)
7	99038-004	12	TUBE END, THREADED, 3/8 -16 (CROSSBAR & TOP)
8	99010-017	4	CASTER, 3"
9	99039-091	24	POP RIVET
10	-	4	HHCS, 5/8-11 X 6
11	-	8	SHCS, 3/8-16 X 2
12	-	8	HEX NUT, 1/2-13
13	-	4	HEX NUT, 5/8-11
14	-	8	FW, 3/8



**VACUUM CONVEYOR ASSEMBLY (16020-640r1 (Fig. 3))**

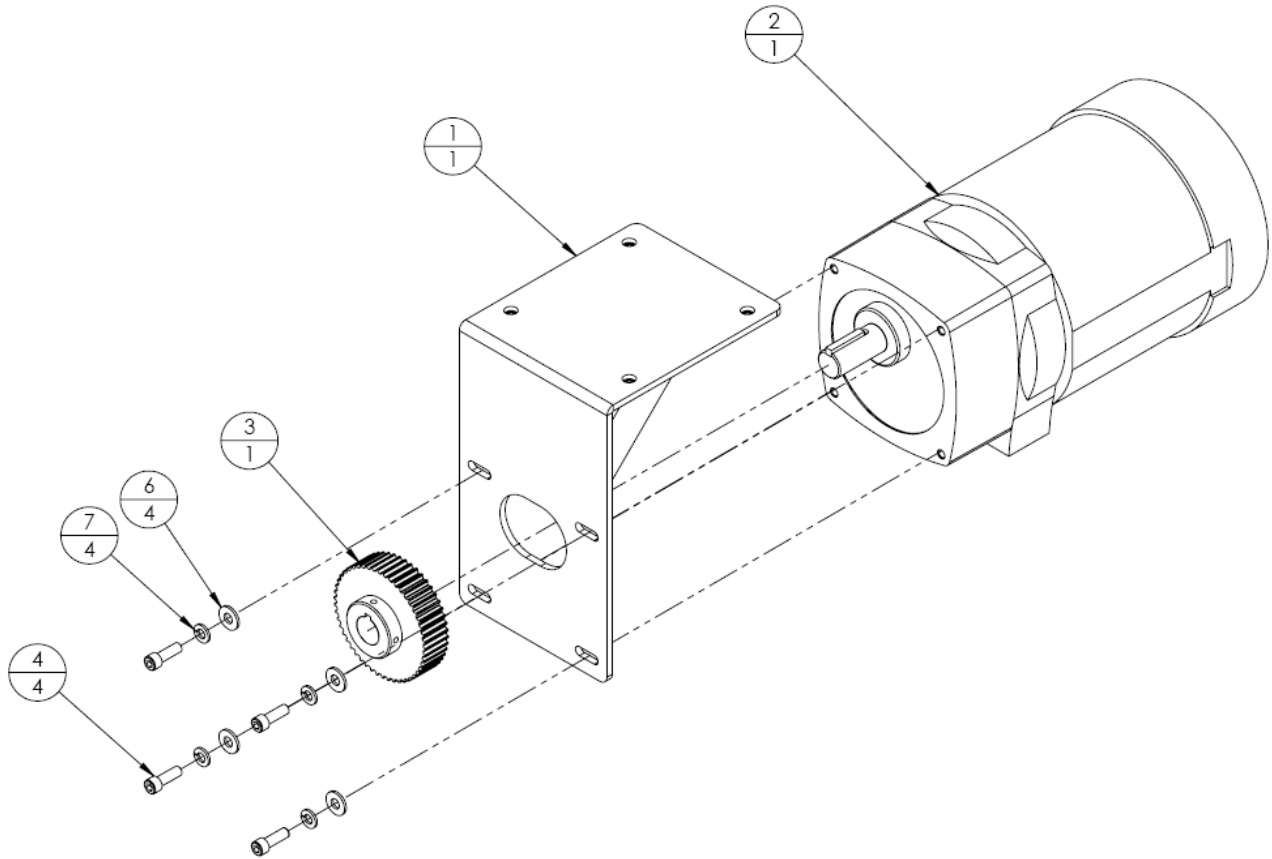
ITEM NO.	PART NUMBER	DESCRIPTION	QTY
1	See Fig. 3A	ASSY, MOTOR (16020-738)	1
2	See Fig. 3B	ASSY, DRIVE ROLLER (16020-626)	2
3	See Fig. 3C	ASSY, TENSIONER (16020-637)	1
4	See Fig. 3D	ASSY, MANIFOLD PVC (16020-644)	1
5	16011-357	PLATE, TOP	1
6	16013-291	VACUUM CHAMBER	1
7	16007-193	BLOCK, VAC. CHAMBER CONN.	1
8	16012-091	SPACER, BEARING BLOCK VIBRATION	4
9	16014-042	BELT SET, VACCUM, 2" X 76.500"	1
10	99002-168	PULLEY, TIMING, HTD, 34-5M-15, 1/2" B	1
11	99000-386	BELT, TIMING, HTD, 1035-5M-15	1
12	99028-055	FITTING, MALE ADAPTER, 3/4 NPT-3/4 PVC	1
13	99034-003	KEY, SQUARE, 1/8 X 3/4	1
14	98015-042	FINISH PLUG, BLACK, 13/16"	1
15	-	FHCS, 3/8-16 X 1-1/4 (ITEM #2)	4
16	-	BHCS, 3/8-18 X 1-1/4 (ITEM #2)	4
17	-	FHCS, 1/4-20 X 3/4 (ITEM #1)	4
18	-	FHCS, #10-24 X 5/8 (ITEM #3)	4
19	-	BHCS, 1/4-20 X 1/2 (ITEM #7)	4
20	-	FHCS, #8-32 X 5/8 (ITEM #6)	12

See next page for details



**DRIVE MOTOR ASSY 16020-738r1 (Fig. 3A)**

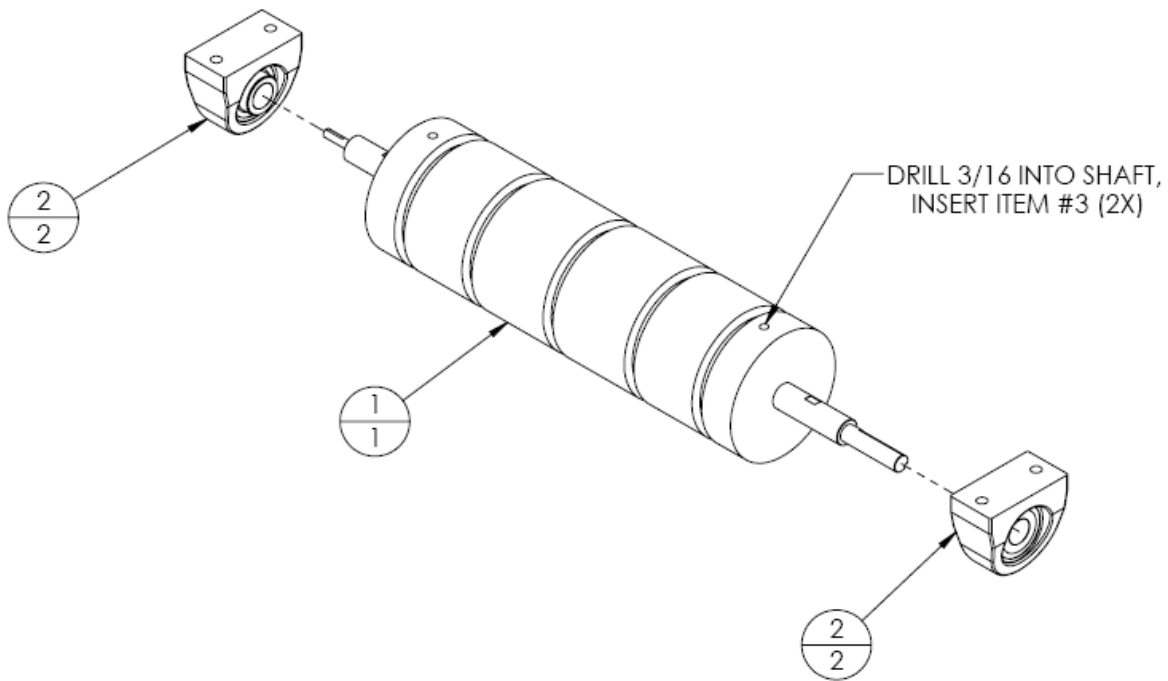
ITEM NO.	PART NUMBER	DESCRIPTION	QTY
1	16009-224	BRACKET, MOTOR MTG.	1
2	99001-068	MOTOR, 3/4 HP, 5:1, 340 RPM	1
3	16006-198	PULLEY, TIMING, HTD, 50-5M-15, 3/4" BORE	1
4	-	SHCS, 1/4-28 x 3/4	4
5	-	SET SCREW, FLAT, #10-32 X 1/4 (ITEM #3)	1
6	-	FW, 1/4	4
7	-	LOCK WASHER, 1/4	4



**DRIVE ROLLER ASSEMBLIES (Fig. 3B)**

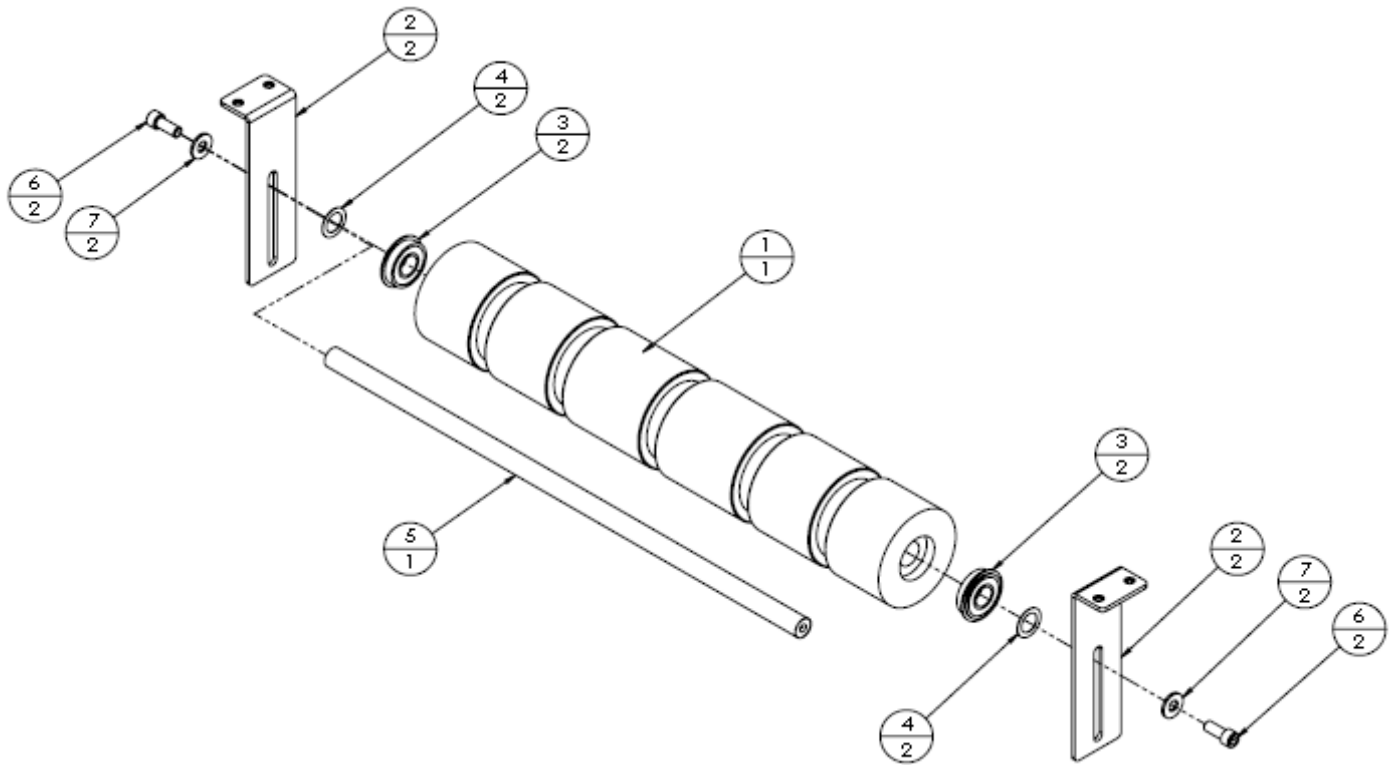
ITEM NO.	PART NUMBER	DESCRIPTION	QTY
1	16020-716	ASSY, DRIVE PULLEY	1
2	99003-132	BEARING, PILLOW BLOCK, 3/4 BORE	2
3	99004-021	ROLL PIN, 3/16 X 1-1/4	2

Note: This assembly can be used in three belt or five belt configuration



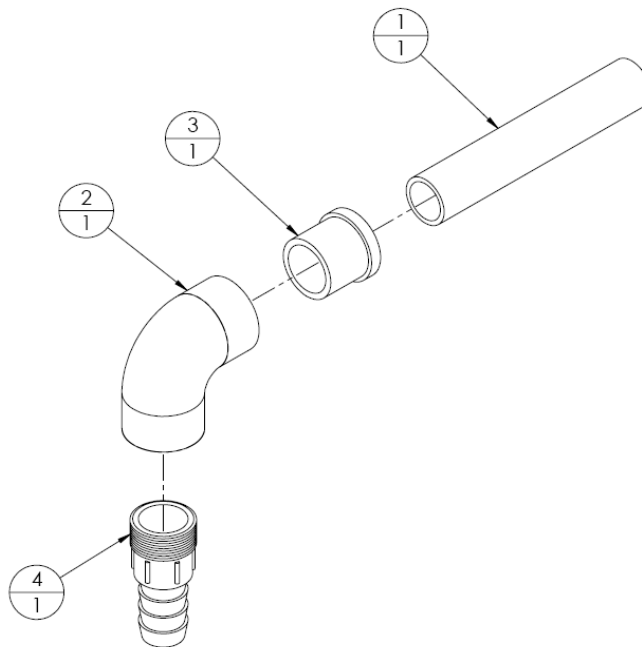
**TENSIONER ASSEMBLY 16020-637r1 (Fig. 3C)**

ITEM	PART NO.	QTY.	DESCRIPTION
1	16006-173	1	ROLLER TENSIONER
2	16009-183	2	BRACKET, TENSIONER MTG
3	99003-047	2	BEARING, 1/2 X 1-1/8
4	99036-004	2	SHIM, BEARING, 1/2 X 3/4
5	16004-231	1	SHAFT, IDLER ROLLER
6	-	2	SHCS, 1/4-20 X 5/8
7	-	2	FW, 1/4



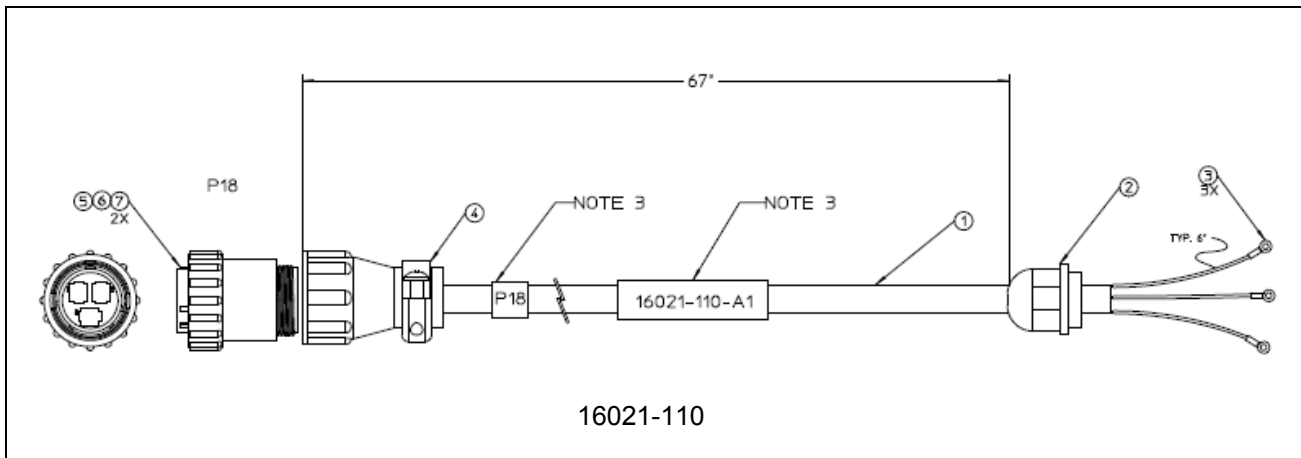
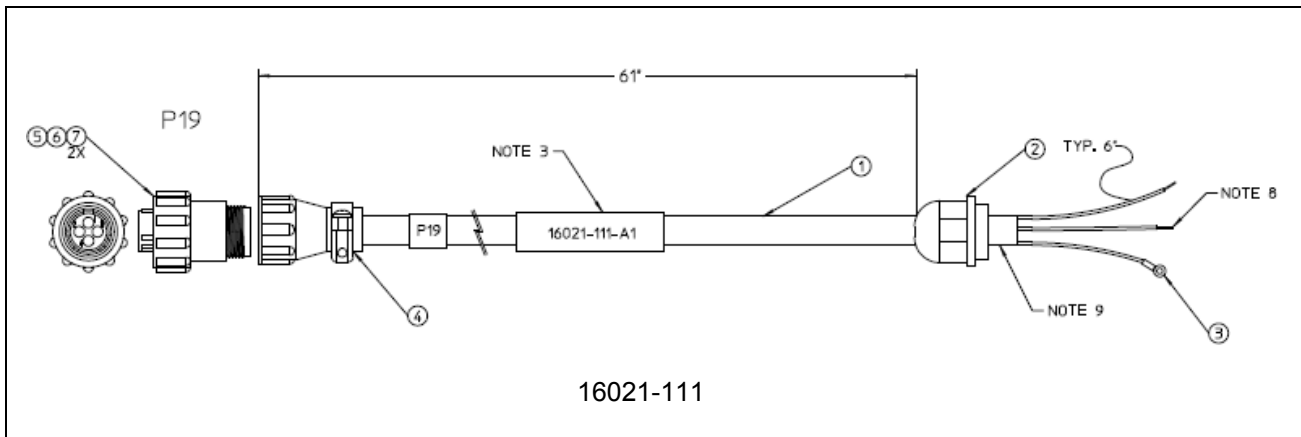
**MANIFOLD PVC ASSEMBLY 16020-644r1 (FIG 3D)**

ITEM NO.	PART NUMBER	DESCRIPTION	QTY
1	16018-057	PIPE, PVC SECTION, 3/4" X 5.75	1
2	99028-237	ELBOW, 90 DEG, 1" SLIP X 1" FNPT	1
3	99028-053	FITTING, REDUCER, 1" TO 3/4"	1
4	99028-165	HOSE BARB, 1" NPT- 1" HOSE	1



**MOTOR DRIVE CABLE ASSY 16021-109rA (Fig. 3E)**

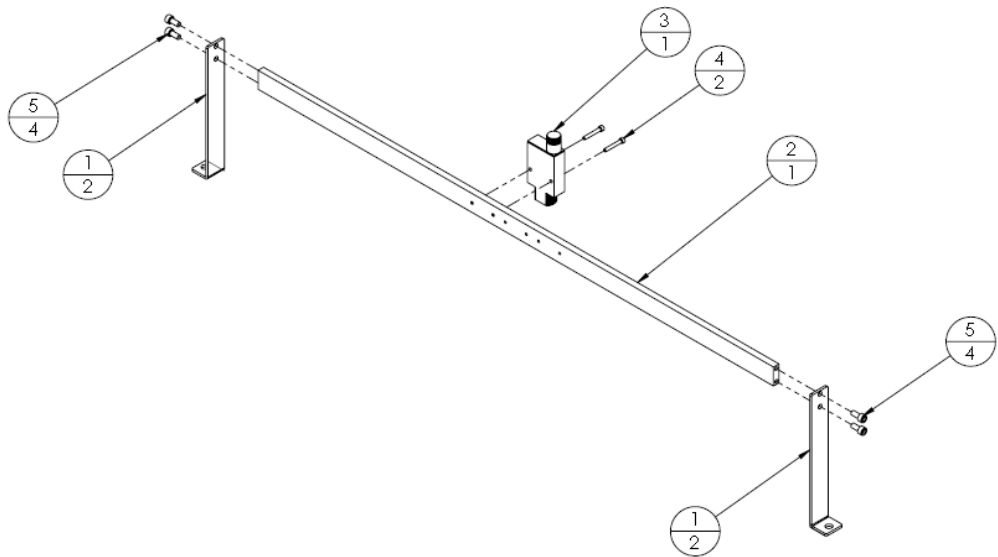
ITEM	PART NO.	QTY.	DESCRIPTION
1	99010-034	3 FT	CABLE, 14/4
2	98003-074	1	SLEEVE HOUSING
3	98003-071	1	PLUG, 3 POSITION MALE,
4	98019-040	2 "	HEAT SHRINK, 1/2"
5	98003-070	1	PLUG, 3 POSITION FEMALE,
6	98003-073	1	COUPLING HOUSING W/ LOCK LATCH



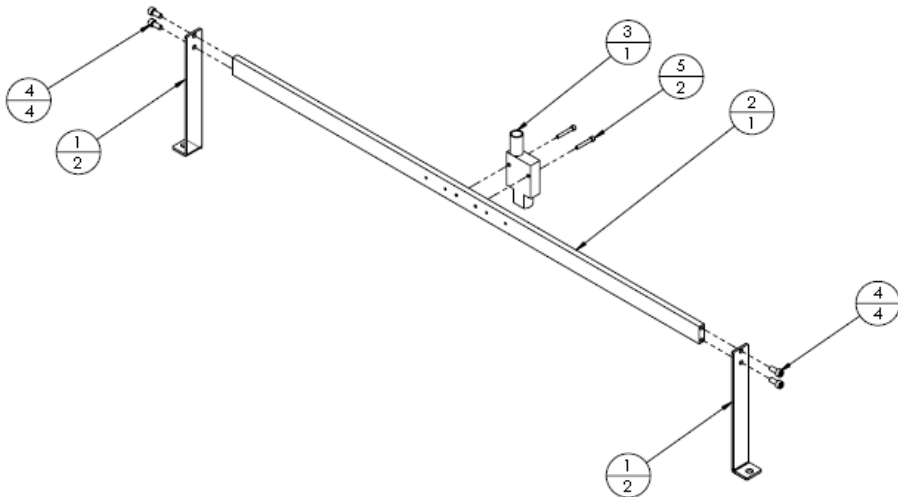


**SENSOR BAR ASSEMBLIES (FIG 4)**

ITEM	PART NO	QTY	DESCRIPTION
	<b>16020-622</b>	<b>1</b>	<b>ASSY, SENSOR BAR (INFEED)</b>
1	16009-185	2	BRACKET, SENSOR SUPPORT, FRONT
2	16008-196	1	BAR, DRAG STRAP MTG
3	98009-021	1	SENSOR, BANNER MINI BEAM
4	-	2	SHCS, #4-40 X 3/4
5	-	4	SHCS, #8-32 X 3/8
	<b>16020-691</b>	<b>1</b>	<b>ASSY, SENSOR BAR (EXIT)</b>
1	16009-185	2	BRACKET, SENSOR SUPPORT, FRONT
2	16008-196	1	BAR, DRAG STRAP MTG
3	98009-036	1	SENSOR, BANNER MINI BEAM
4	-	2	SHCS, #4-40 X 3/4
5	-	4	SHCS, #8-32 X 3/8



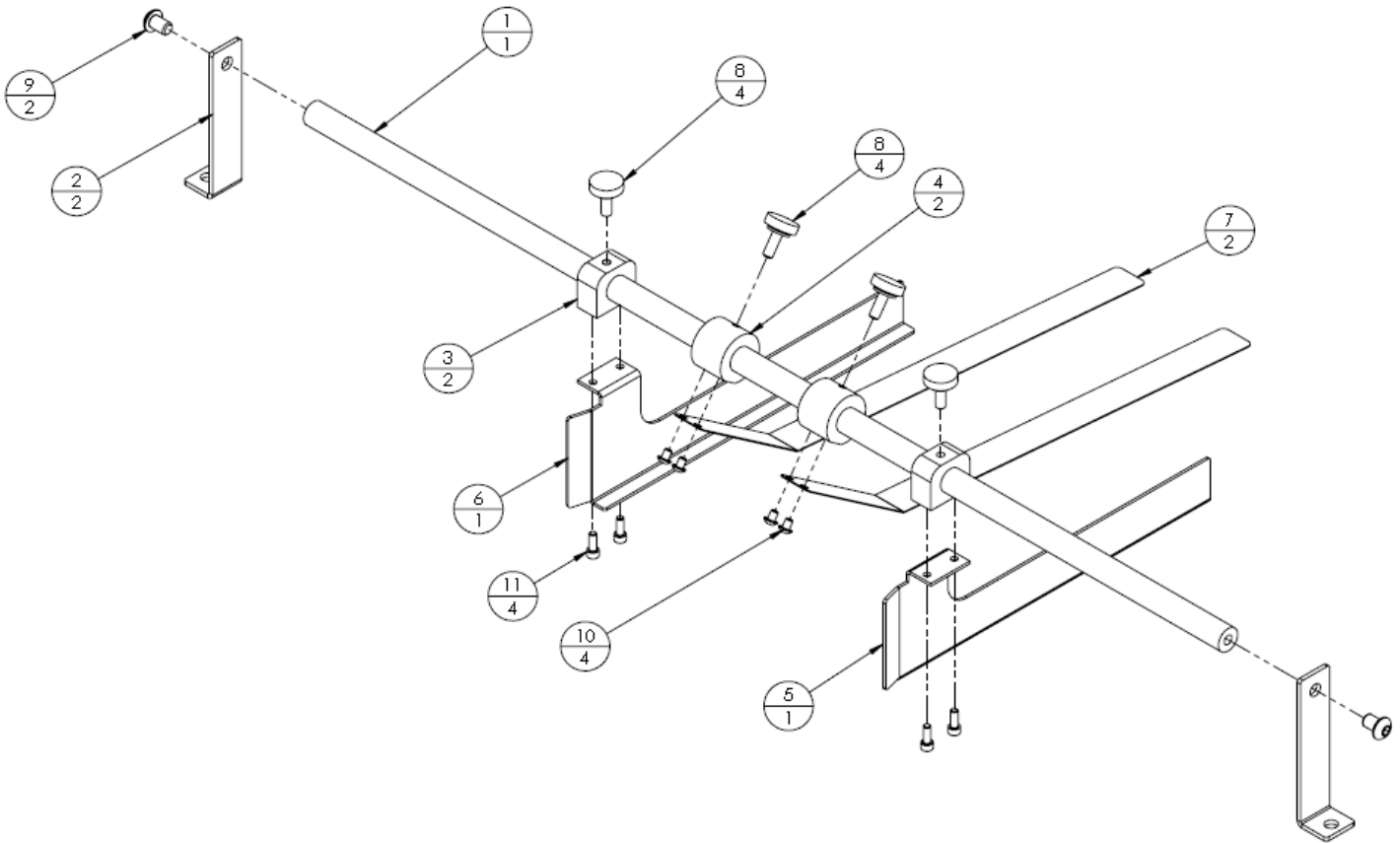
16020-622



16020-691

**INFEED GUIDE ASSY 16020-666r1 (FIG 5)**

ITEM	PART NO	QTY	DESCRIPTION
1	16004-238	1	SHAFT, DRAG STRAP MTG
2	16009-206	2	BRACKET, SIDE GUIDE SUPPORT
3	16007-253	2	BLOCK, SIDE GUIDE MTG
4	16007-251	2	BLOCK, DRAG STRAP MTG
5	16005-089	1	GUIDE, RH SIDE
6	16005-090	1	GUIDE, LH SIDE
7	18005-105	2	GUIDE, SPRING STEEL, 12" L
8	10020-317	4	ASSY, KNOB #10-24 X 1/2
9	-	2	BHCS, 1/4-20 X 3/8
10	-	4	PHMS, #6-32 X 3/16
11	-	4	SHCS, #6-32 X 3/8

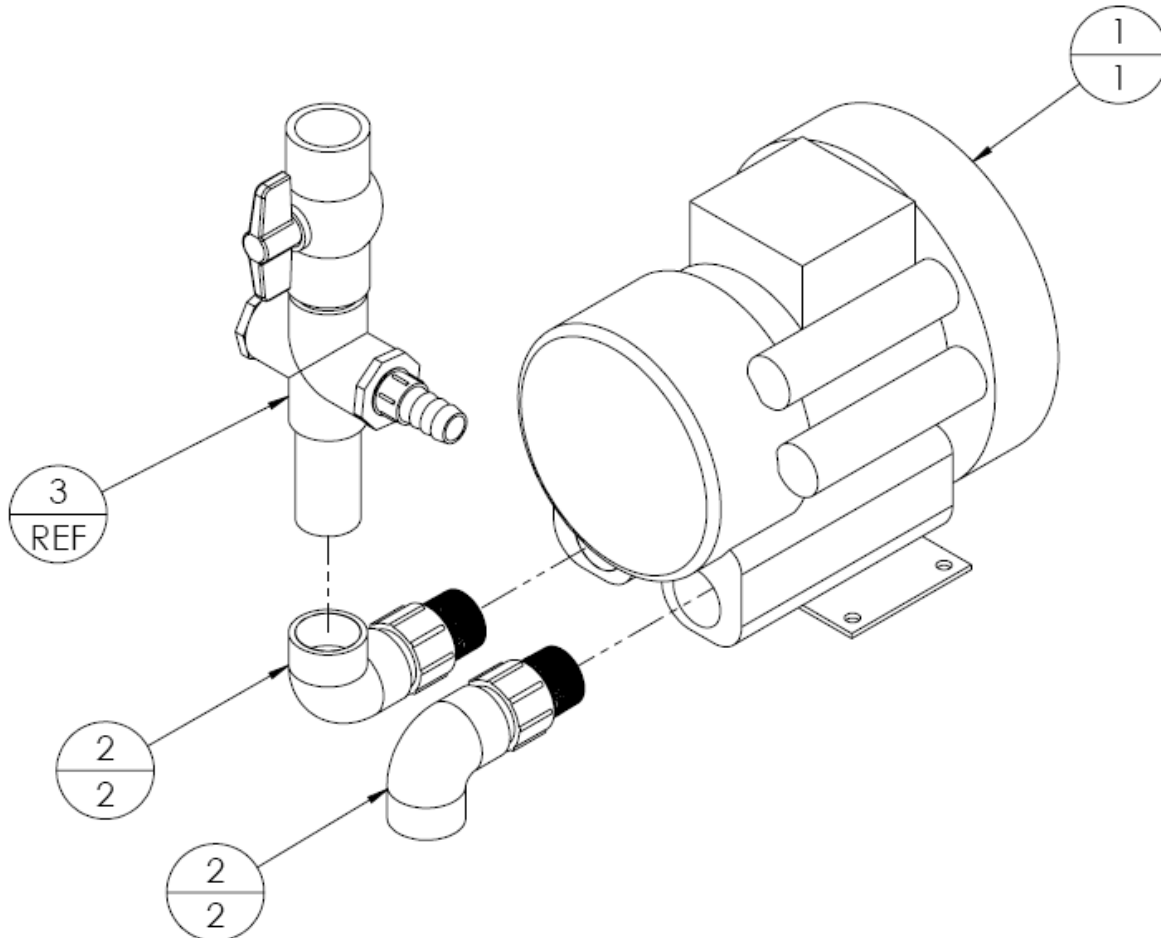


**VACUUM PUMP ASSY 16020-630r1 (FIG 6)**

ITEM NO.	PART NUMBER	DESCRIPTION	QTY
1	99028-236	TEE, 4-POINT SLIP, 1-1/4" PVC	1
2	99028-164	ADAPTER, 1"NPT-1-1/4 PVC	2
3	99028-165	HOSE BARB, 1" NPT- 1" HOSE	1
4	99025-031	BALL VALVE, 1-1/4 PVC	1
5	99028-234	PLUG, PVC, 1"	1
6	16018-026	PIPE. PVC SECTION, 1-1/4" X 4.00	1
7	16018-023	PIPE, PVC, 1-1/4" X 2.00"	1

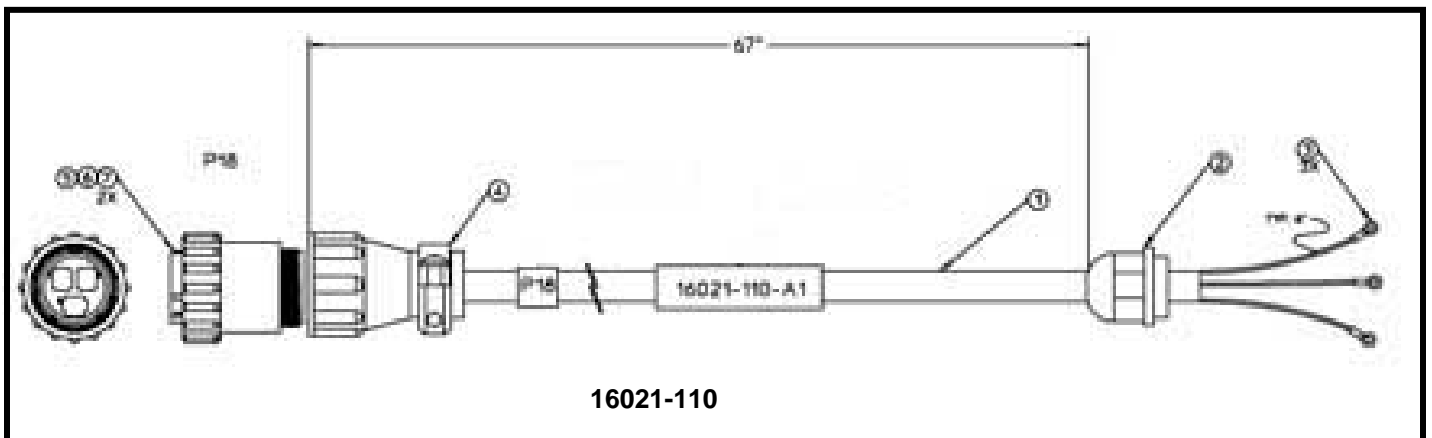
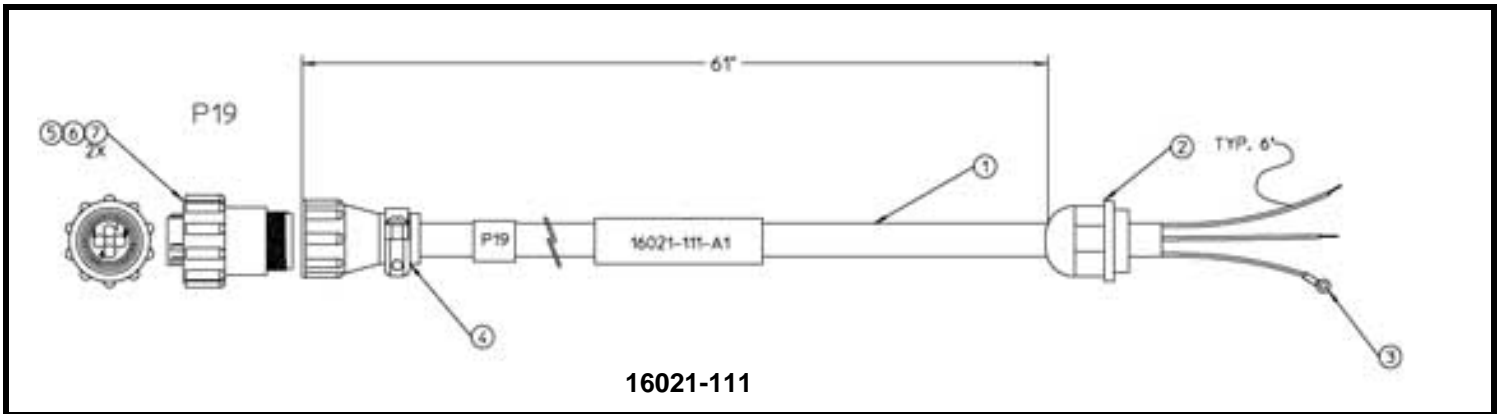
**SPECIAL NOTES:**

1. REPLACE ITEM #3 WITH ITEM #4 WHEN THE BASE IS A RIGHT TO LEFT
2. REPLACE ITEM #3 WITH ITEM #5 WHEN BASE HAS INFED & EXIT SLAVE (DIVERTS)
3. REPLACE ITEM #3 W/ ITEM # 6 WHEN BASE HAS A CANTILEVER INFEED



**BLOWER ASSEMBLY (16021-099r0) (Fig. 6A)**

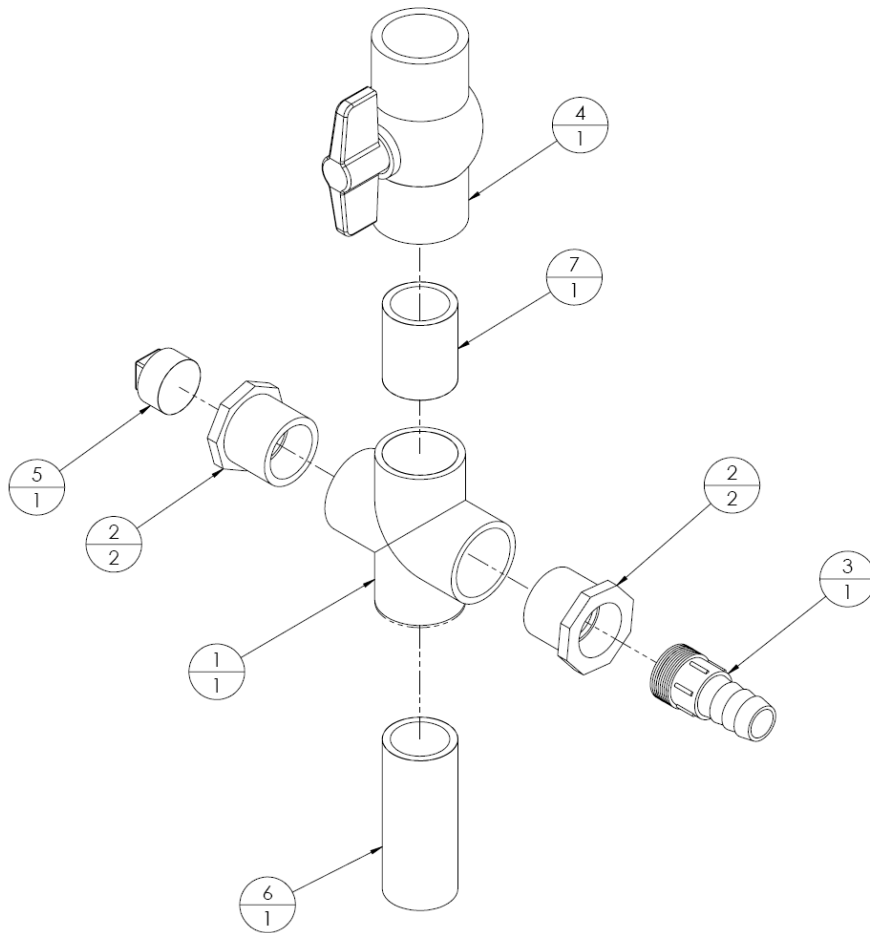
ITEM	PART NO.	QTY.	DESCRIPTION
1	99029-007	1	BLOWER, BUSCH #SB0080, DOHT. UBX
<b>2</b>	<b>16021-111</b>	<b>1</b>	<b>THERMAL OVERLOAD CABLE</b>
-1	98010-250	2 FT	CABLE, 18-3C, HAR 600V
-2	98015-060	1	STRAIN RELIEF, M16X1.5
-3	98016-221	3	TERMINAL RING, #8, 14-16 AWG
-4	98016-015	1	BACKSHELL, PLASTIC SIZE 11
-5	98016-029	1	PLUG, SERIES 1, 11-4 REVERSE
-6	98016-234	1	PIN, EXTENDED, 16-18 AWG
-7	98016-059	2	CONTACT, PIN, 18-14 AWG
<b>3</b>	<b>16021-110</b>	<b>1</b>	<b>ASSY, VACUUM POWER CABLE</b>
-1	98010-182	5.7 FT	CABLE, 16/3 HAR EXPORT BLACK
-2	98015-059	1	STRAIN RELIEF, M25X1.5
-3	98016-221	3	TERMINAL RING, #8, 14-16 AWG
-4	98016-005	1	BACKSHELL, PLASTIC SIZE 17
-5	98016-004	1	PLUG REVERSE, SERIES 3, 17-3
-6	98016-237	1	PIN, EXTENDED, 16-12 AWG
-7	98016-026	2	CONTACT, PIN, 16-12 AWG



16021-110

**VACUUM PUMP INTAKE ASSEMBLY 16020-650r1 (FIG 6B)**

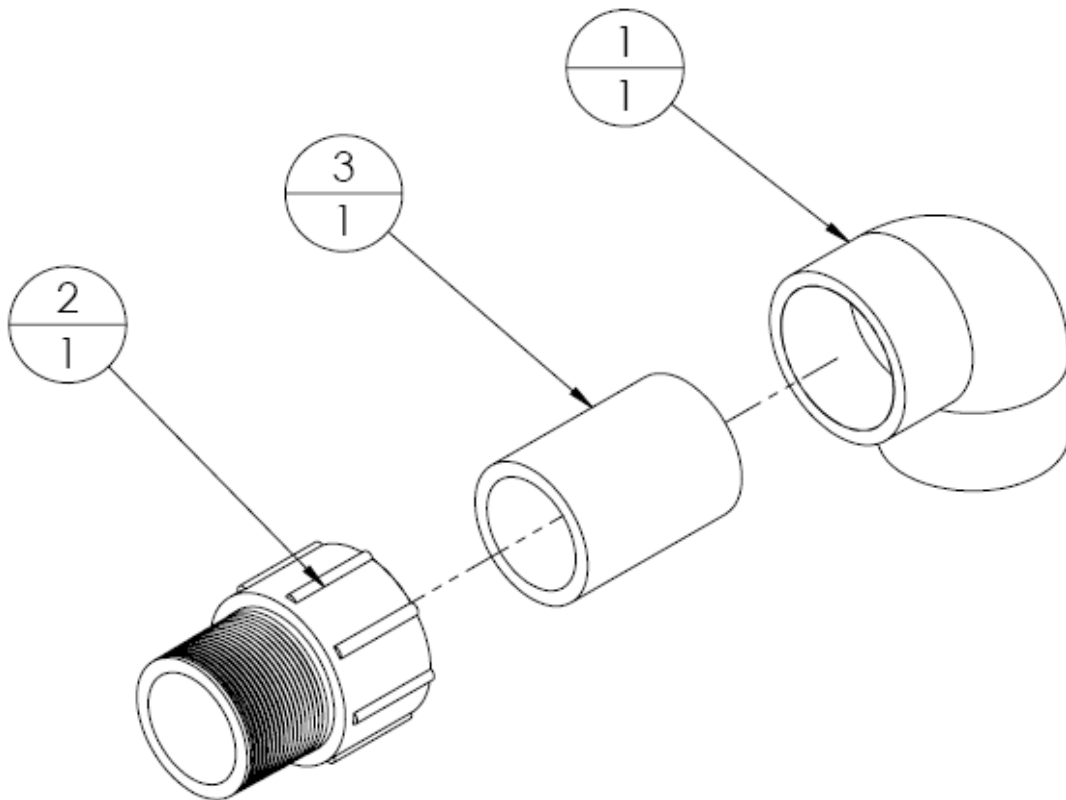
ITEM NO.	PART NUMBER	DESCRIPTION	QTY
1	99028-236	TEE, 4-POINT SLIP, 1-1/4" PVC	1
2	99028-164	ADAPTER, 1"NPT-1-1/4 PVC	2
3	99028-165	HOSE BARB, 1" NPT- 1" HOSE	1
4	99025-031	BALL VALVE, 1-1/4 PVC	1
5	99028-234	PLUG, PVC, 1"	1
6	16018-026	PIPE. PVC SECTION, 1-1/4" X 4.00	1
7	16018-023	PIPE, PVC, 1-1/4" X 2.00"	1



**INTAKE PVC ASSEMBLY 16020-494 (FIG 6C)**

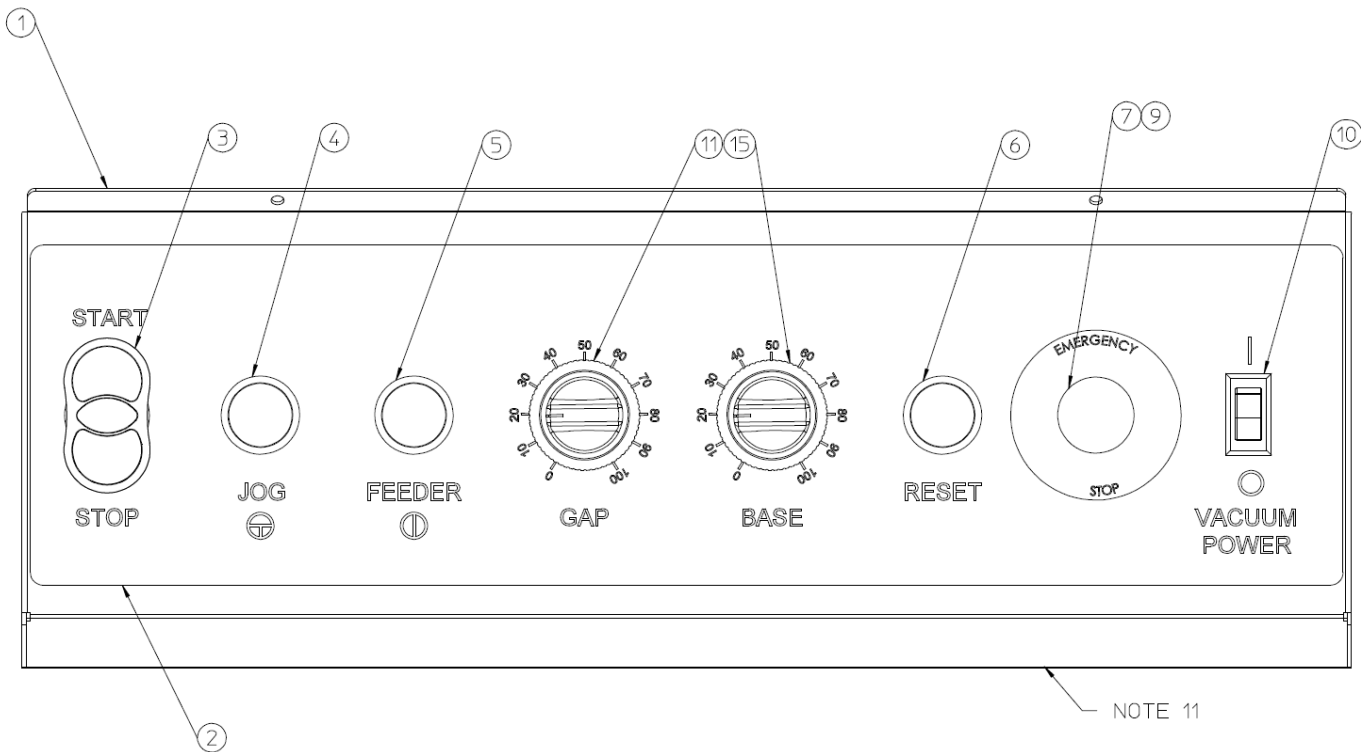
ITEM	PART NO.	QTY.	DESCRIPTION
1	99028-106	1	ELBOW, 90 DEG PVC, 1-1/4 SLIP
2	99028-105	1	ADAPTER, MALE, 1-1/4NPT X 1-1/4 PVC
3	16018-024	1	PIPE, PVC SECTION, 1-1/4 X 2.25 L

NOTE: Qty (2) required per vacuum pump



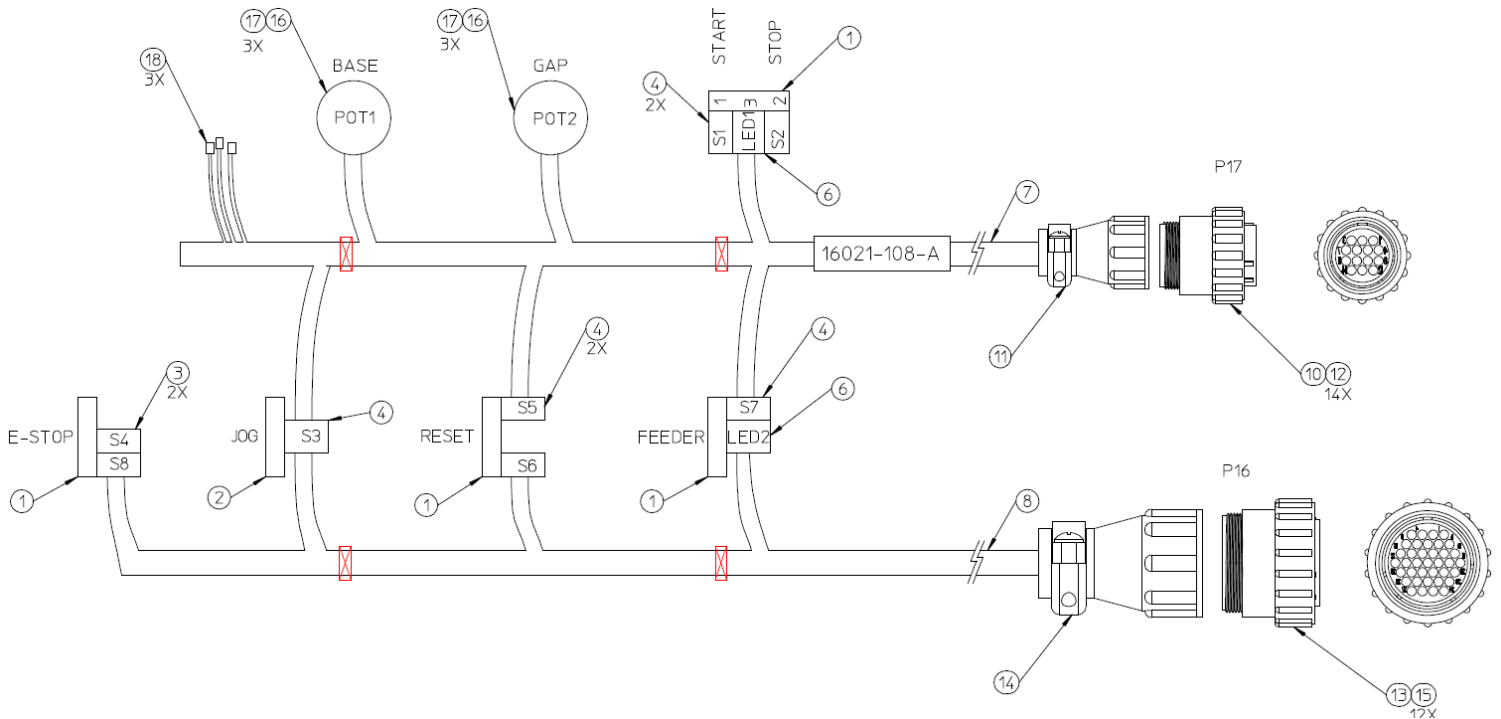
**CONTROL PANEL ASSEMBLY (16021-104rA) (Fig. 7A)**

ITEM	PART NO.	QTY.	DESCRIPTION
1	16013-339	1	ENCLOSURE, CONTROL CONSOLE
2	16015-034	1	LABEL, CONSOLE
3	98000-100	1	PUSHBUTTON, ILLUMINATED, GREEN
4	98000-118	1	JOG, PUSHBUTTON, TEXT AND SYMBOL
5	98000-099	1	PUSHBUTTON, ILLUMINATED, FLUSH
6	98000-097	1	RESET, PUSHBUTTON, RED
7	98000-113	1	E-STOP, MUSHROOM HD, NON-ILLUMINATED
9	98000-111	1	E-STOP PLATE
10	98000-041	1	SWITCH, ROCKER-WHITE
11	98006-035	2	KNOB LOCK
15	98006-021	2	KNOB, POTENTIOMETER



**CONTROL PANEL HARNESS ASS'Y (16021-108rA) (Fig. 7B)**

ITEM	PART NO.	QTY.	DESCRIPTION
1	98000-103	4	CLIP, THREE POSITION
2	98000-102	1	CLIP, ONE POSITION
3	98000-108	2	CONTACT BLOCK, NC, GOLD PLATED
4	98000-105	6	CONTACT BLOCK, 1XNO, PROTECTED
5	98019-027	13	CABLE TIE
6	98000-110	2	LED BLOCK, WHITE
7	98010-183	8.5 FT	CABLE, 18/15 SHIELDED
8	98010-018	8.5 FT	CABLE, 24/15 SHIELDED
10	98016-092	1	PLUG, 17-14 REVERSING
11	98016-008	1	BACKSHELL, PLASTIC, SIZE 13
12	98016-059	14	CONTACT, PIN, 18-14 AWG
13	98016-097	1	PLUG, 37 POSITION
14	98016-014	1	BACKSHELL, PLASTIC, SIZE 23
15	98016-025	12	CONTACT, PIN, 24-20 AWG
16	98006-036	2	SPEED POT, 10KΩ





**Main Electrical Enclosure 16021-105 rD2**

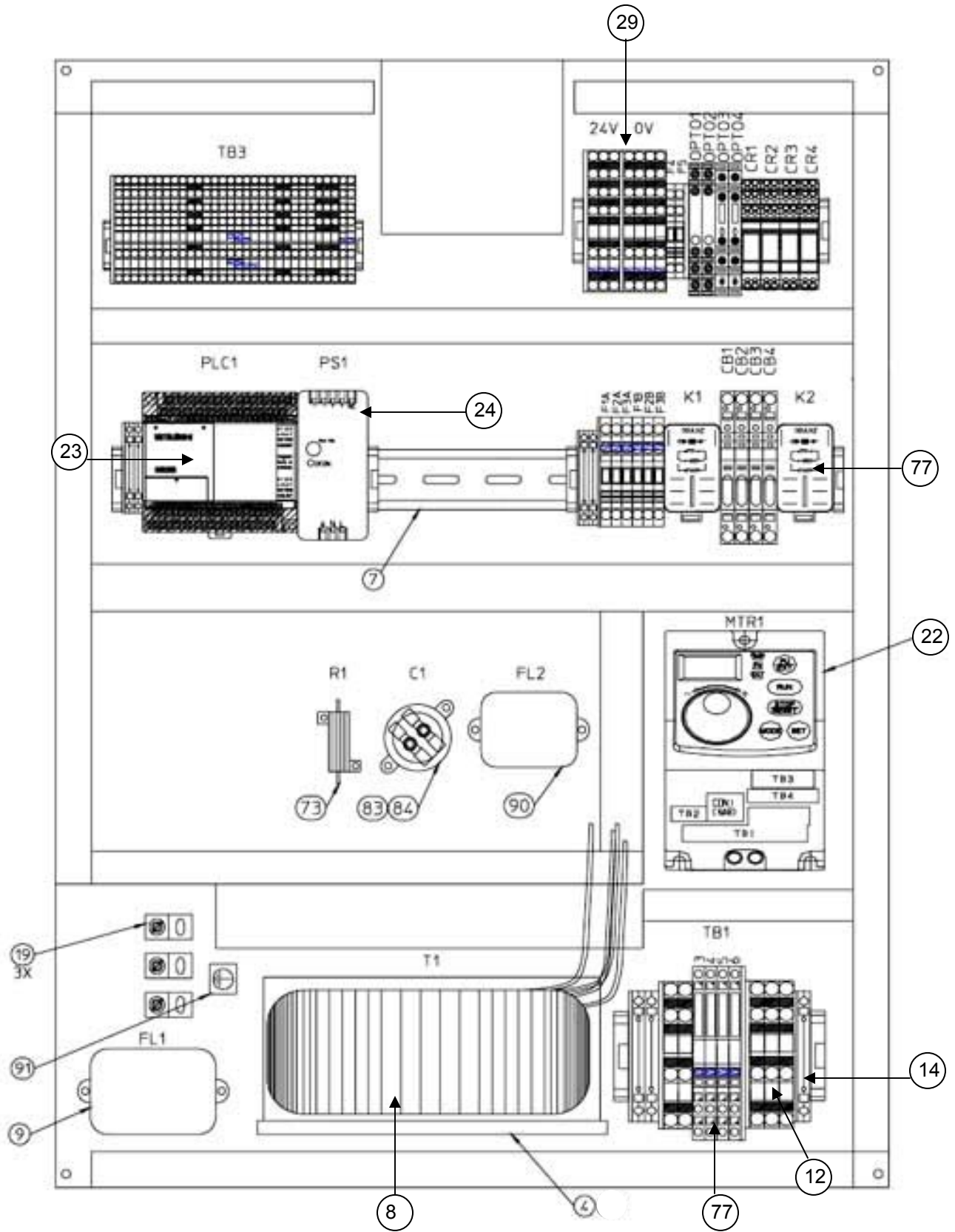
ITEM	PART NUMBER	DESCRIPTION	QTY
1	16013-288	FIT Main Control Enclosure	1
2	16013-290	FIT Main Control Enclosure, cover	1
3	12013-050	Back Panel, Fit Control Enclosure	1
4	16009-180	Transformer Bracket, FIT Control Enclosure	1
5	98016-222	Terminal ring, 1/4, 14-16 AWG (blue)	1
6	98012-008	Duct. Wire with cover 1" X3" high density	10.2"
7	98001-022	Din rail	3.5'
8	98008-026	Transformer234 / 117 V	1
9	98020-104	Line Filter, 16 A	1
10	98003-072	Panel mounting base, w/single locking latch	1
11	98003-070	Female insert, 3-pos., screw connection	1
12	98001-134	Terminal, dbl layer shorted (4 way)	5
13	98001-131	Terminal, 3 wire, fuse disconnect	8
14	98001-138	Spring Ground Terminal	7
15	98001-123	End Stop Terminal	9
16	98001-132	End Cover, 3 wire, fuse disconnect	2
17	98001-136	End Cover, dbl layer shorted (4 way)	2
18	98001-140	End cover ground terminal	4
19	98019-068	Straight pressure tongue, ground lug	3
20	98002-060	Relay, DPDT, 30A, 24 VDC	2
21	98001-114	Terminal block, circuit breaker	4
22	98013-133	Inverter, 1HP, motor controller	1
23	98013-054	Mitsubishi, PLC FX1N-24MR	1
24	98011-018	Power Supply 24 V 1.25 A DC	1
25	98020-070	Output Module, 4-28VDC coil, 3A@60 VDC	2
26	98013-015	Opto Isolator, (OFF)	2
27	98002-058	Relay, DPDT, 24 VDC w/ din rail base	4
28	98001-139	Terminal, dbl layer (6 way)	23
29	98001-135	Terminal, dbl layer shorted (6 way)	14
30	98001-137	End cover, dbl layer (6 way)	3
31	98001-130	Bridge 2 position terminal	4
32	98001-145	Jumper, 3 pole, fuse terminal	2
33	98001-129	Bridge 3 position terminal	1
34	98001-126	Fuse holder, pop off	8
35	98004-089	Circuit breaker, 4A	2
36	16021-142	<b>ASSY, GROUND STRAP, 40"</b>	1
37	98016-219	Quick disconnect, 0.250 female, 14-16 AWG (blue)	16
38	98016-221	Terminal Ring, #8, 14-16 AWG (blue)	2
39	98010-206	Wire, #18 AWG, 600 V violet	4'
40	98010-197	Wire, #18 AWG, 600 V green w/ yellow	7'
41	98010-158	Wire, #14 AWG, 600 V black	9

**Main Electrical Enclosure 16021-105 rD2**

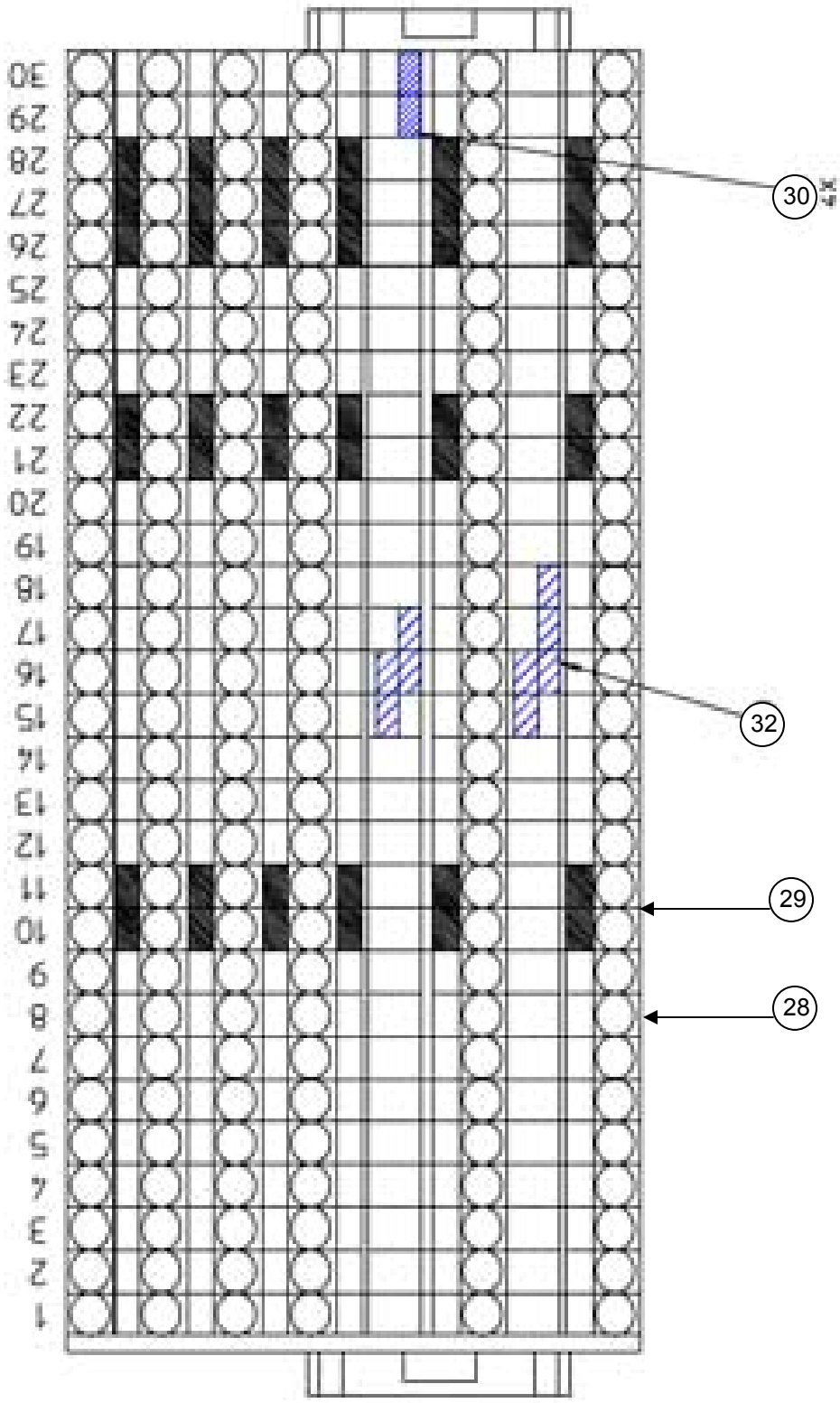
ITEM	PART NUMBER	DESCRIPTION	QTY
42	98010-121	Wire, #18 AWG, 600 V blue	7'
43	98010-132	Wire, #16 AWG, 600 V black	7'
44	98010-208	Wire, #18 AWG, 600 V white w/ blue	16'
45	98010-104	Wire, #22 AWG, 600 V blue	20'
46	98010-209	Wire, #22 AWG, 600 V white w/ blue	20'
47	98010-108	Wire, #22 AWG, 600 V white w/ black	30'
48	98010-033	Wire, #14 AWG, 600 V green w/ yellow	5.5'
49	98010-226	Cord set, 4 socket EURO, with leads, 5m	2
50	98015-027	Cord grip, 1/2 gray	2
51	98010-254	18-3C flex cord euro cc w/g type slow	15'
52	98020-045	Resistor, 1K	1
53	98010-253	14-3 flex cord euro cc w/g type slow	15'
54	98016-103	Receptacle, sq. ft. 37 pos	3
55	98016-091	Receptacle, sq. flange, 17-14 pos	1
56	98016-011	Receptacle sq. flange, 11-4 STD	5
57	98015-003	Metal locknut, 1/2"	2
58	98015-001	Strain releife, 1/2"	2
59	98016-093	Receptacle, sq. flange, 17-9 pos	5
60	16015-038	Label 120 VAC 3.15 A	1
61	98016-217	Quick disconnect, 0.187 female, 18-22 AWG (red)	5
62	98016-216	Quick disconnect, 0.250 female, 18-22 AWG (red)	4
63	98001-143	Bridge 4 position, terminal	1
64	98004-098	Circuit Breaker, 15AMP, 2 pole	1
65	98003-010	Plug, 3 pin, 2 pole, 15A	1
66	98004-019	Fuse, 500mA, 250 V 5X20MM GMC time delay	1
67	98004-070	Fuse , 5 X 20, time delay 1.25A	5
68	18021-165	<b>ASSY, GROUND STRAP, F.T.</b>	1
69	98004-096	Fuse, 5X20, 3.15 A-slow-blow	2
70	98015-023	Finishing Plug, 7/8" hole	3
71	98016-028	Contact, Socket, 16-12 AWG	2
72	98016-027	Contact, Socket, 24-20 AWG	129
73	98020-038	Resistor, Power, 15 OHM, 50w	1
74	98016-060	Contact, socket, 18-14-AWG	4
75	98016-002	Receptacle, sq. flange, series 3, 17-3	1
76	98001-073	Bridge, 2 position	2
77	98001-107	Terminal block, dual, spring cage disconnect	4
78	98001-108	Side cover, dual terminal block	1
79	98003-018	Receptacle, Twist Lock	1
80	98016-223	Terminal ring, #10, 14-16 AWG (blue)	1

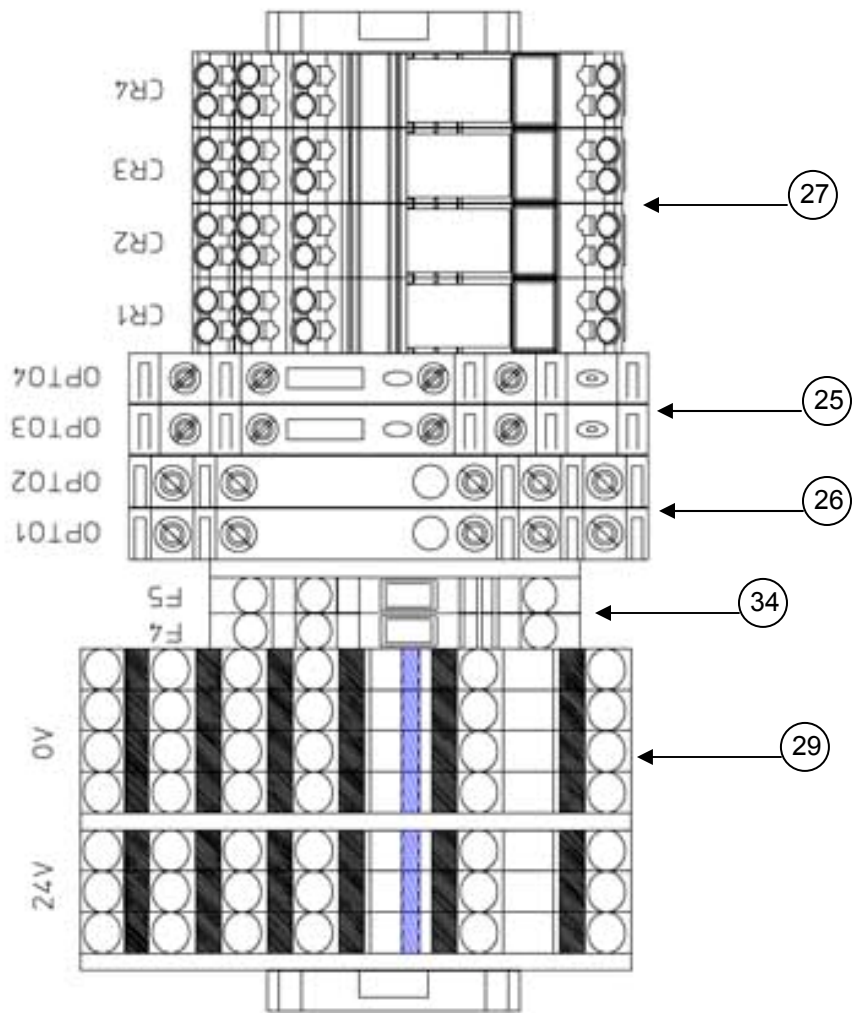
**Main Electrical Enclosure 16021-105 rD2**

<b>ITEM</b>	<b>PART NUMBER</b>	<b>DESCRIPTION</b>	<b>QTY</b>
81	98019-045	Heat shrink, 1/4", pvc black	6"
82	98019-067	Heat shrink, 5/16", pvc black	6"
83	98020-036	Capacitor, 2200uF	1
84	98020-037	Cap, Mounting hardware	1
85	98016-224	Terminal ring, #10, 18-22 AWG	3
86	98000-121	Switch, DPDT, On-On	1
87	16011-373	IEC-320, Cover Plate	1
88	16008-218	Bar, Board blank, FIT Base	1
89	98003-049	Receptacle, AC, IEC-320	OPT
90	98020-107	Filter - RFI, 115 / 250, 3A	1
91	99039-069	High Voltage decals	1
92	16008-214	BAR, ENCLOSURE MTG.	1
93	98003-008	Plug, 230 V, 10 A, NEMA 6-15P	OPT
94	98003-060	Plug, 230 V, 10 A, EUROPE	OPT
95	98003-061	Plug, 230, 13 A UK	OPT
96	98003-062	Plug, 230 V, 10 A, CHINA	OPT
97	98004-090	Circuit breaker, 6 A	2
98	98013-151	DYANAMIC BRAKE RESISTOR	OPT

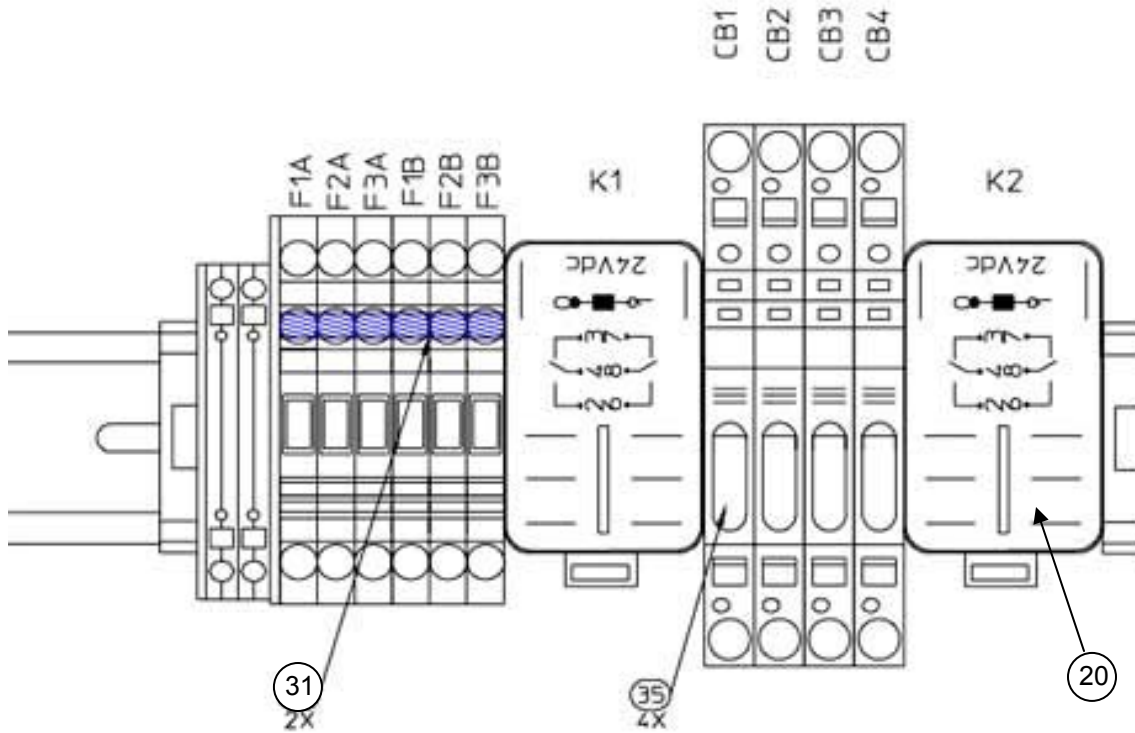
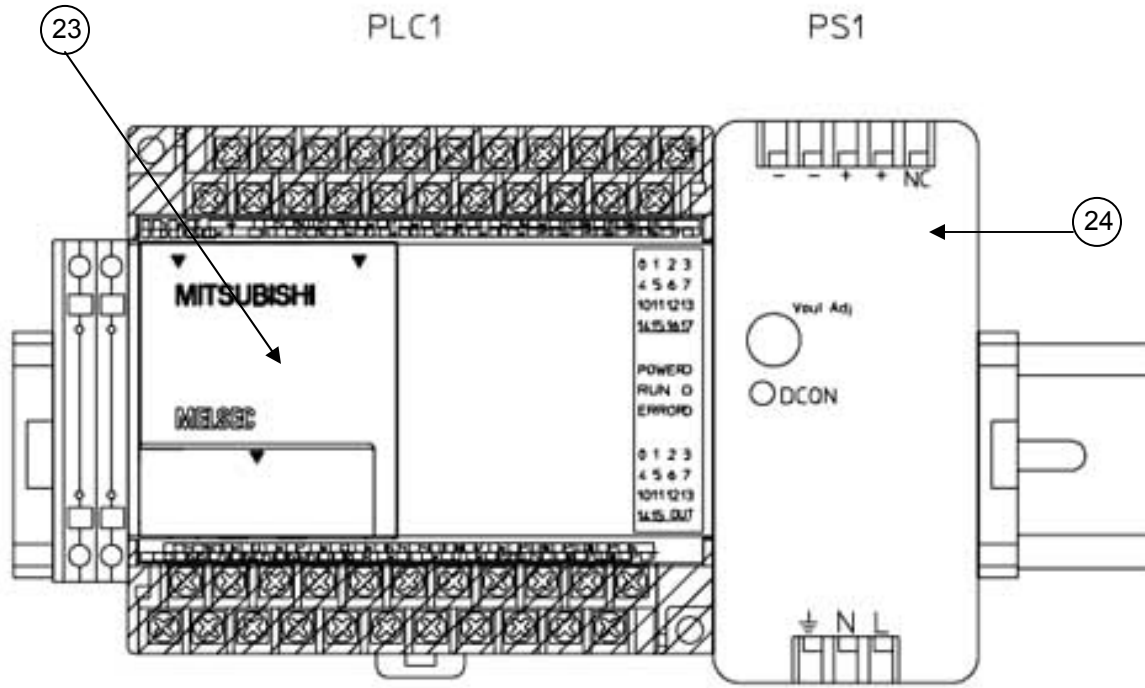


TB3

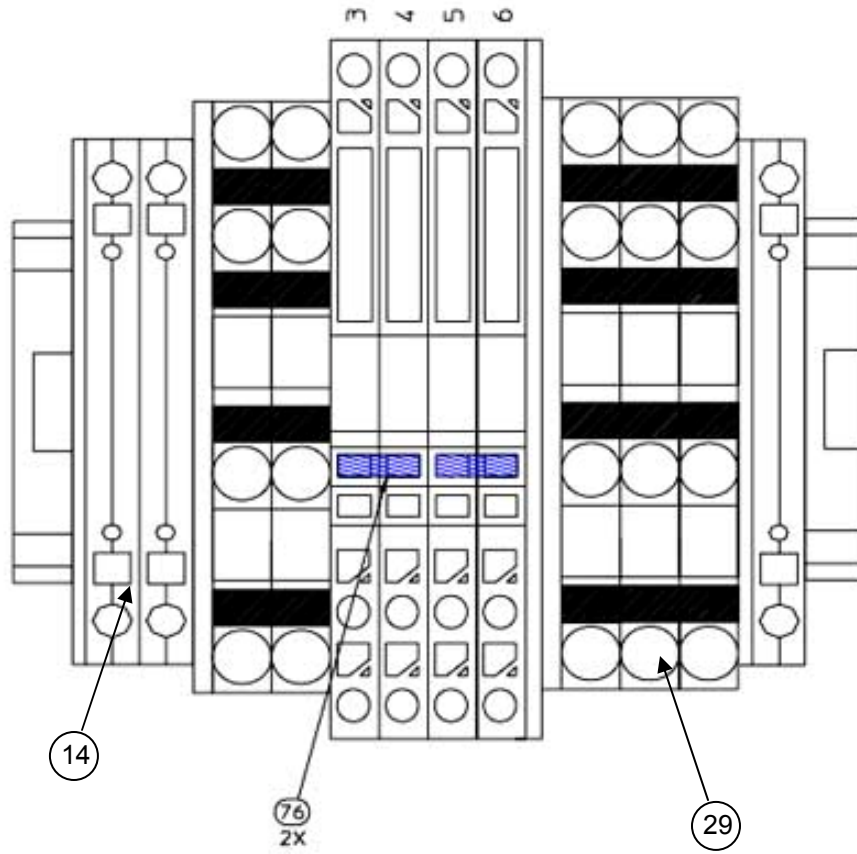




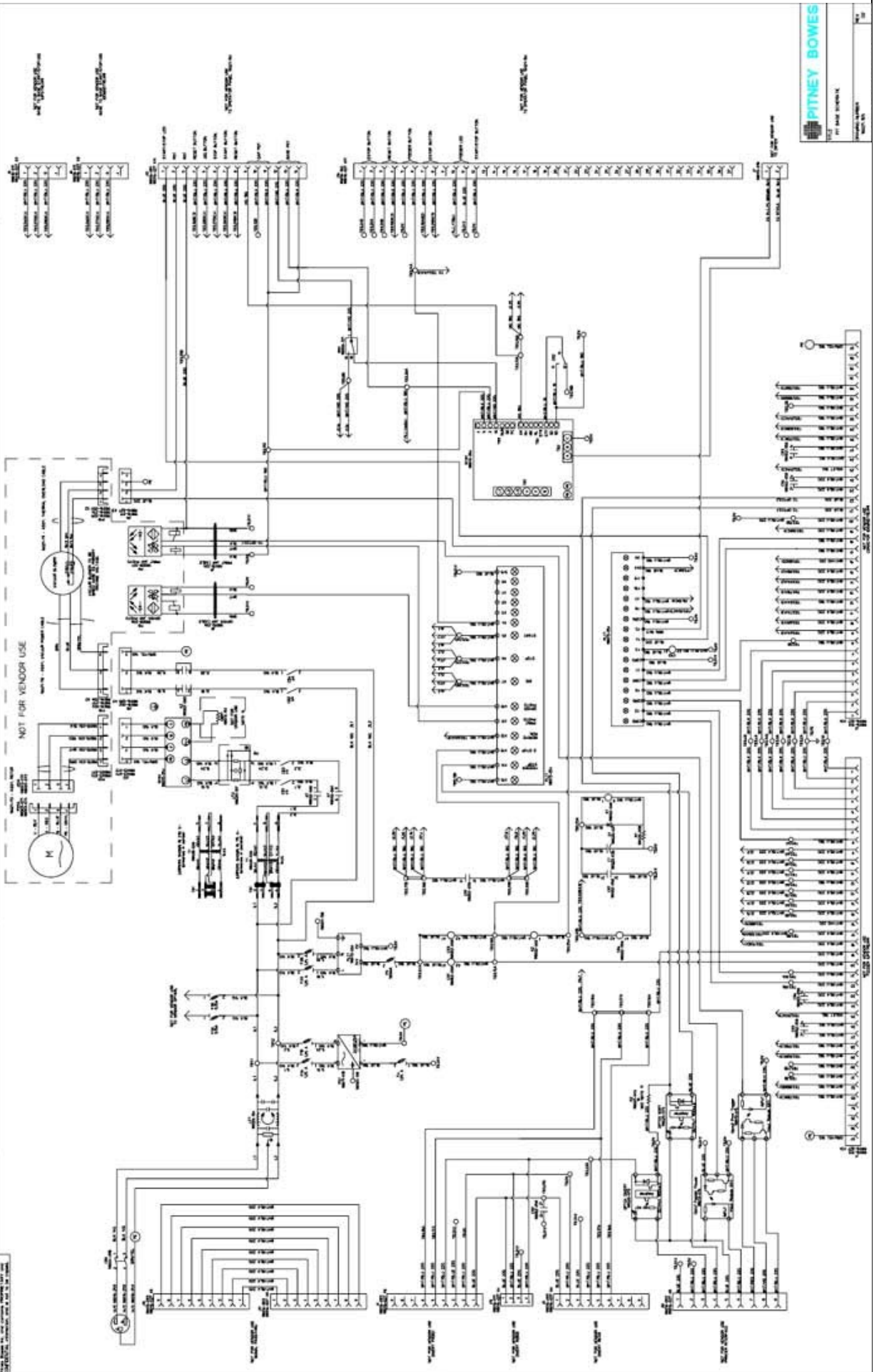
**PITNEY BOWES**



TB1

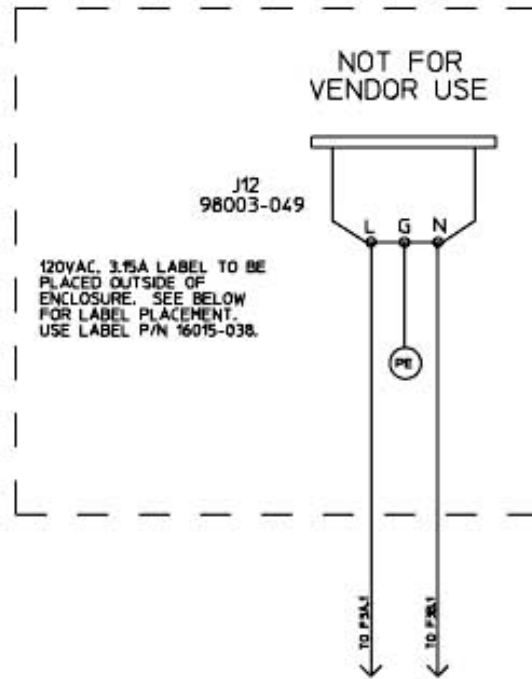
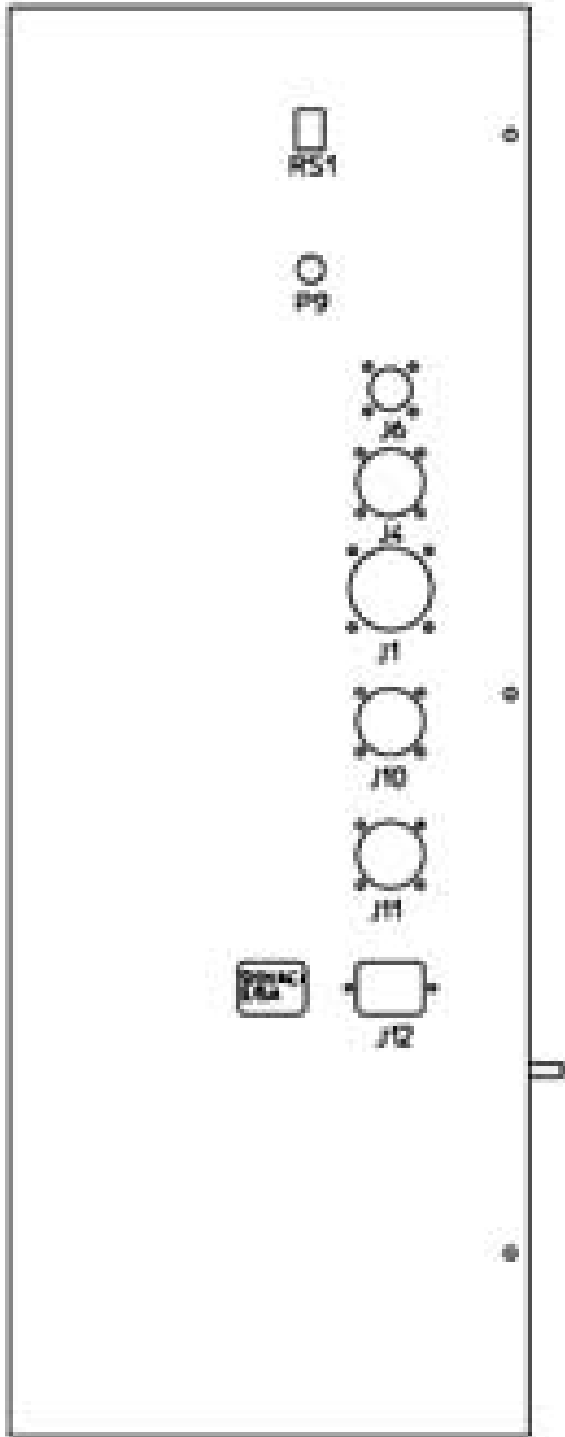


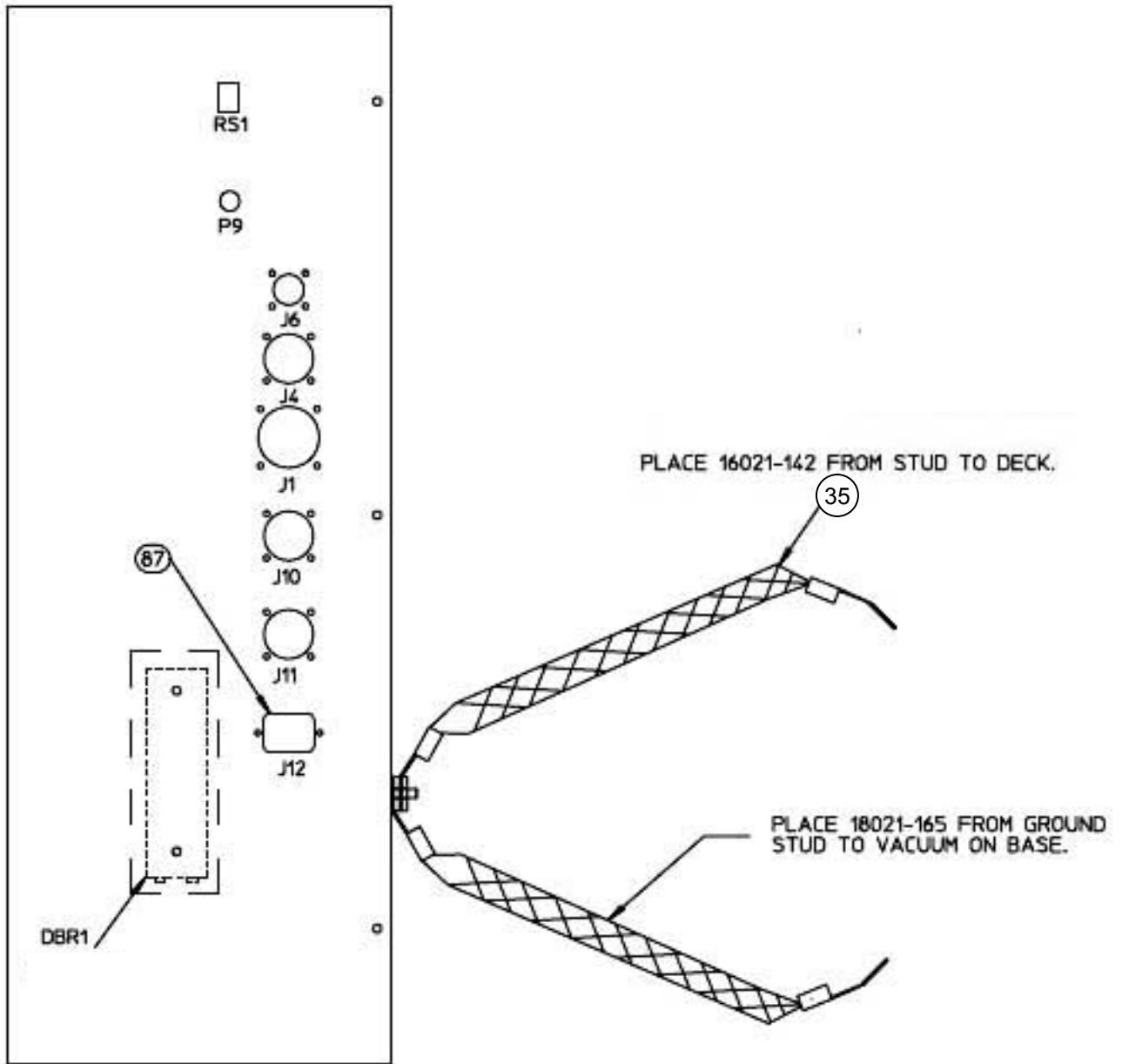




PI

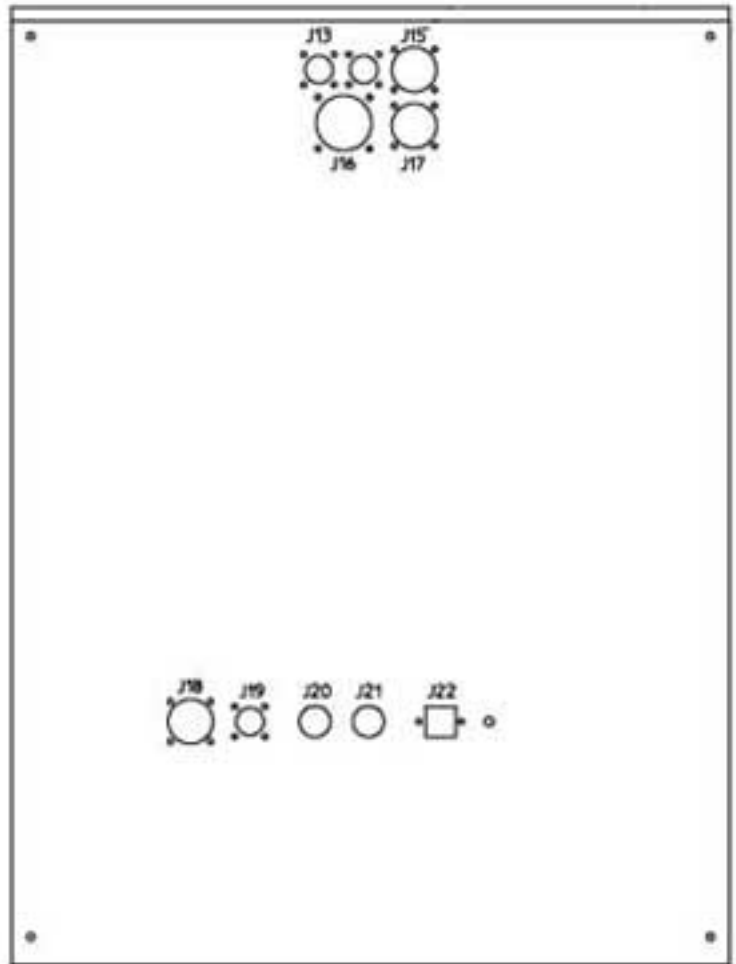
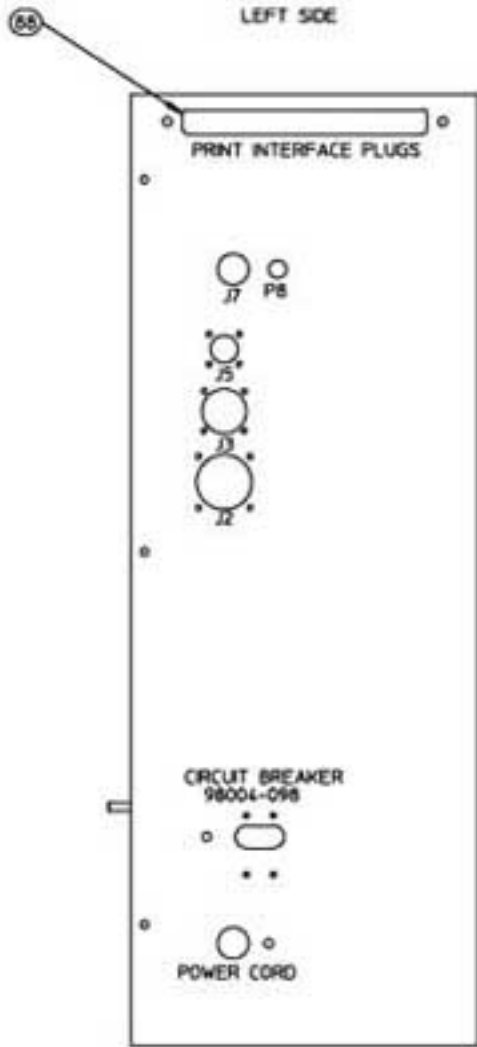
FI





# PITNEY BOWES

ENCLOSURE  
FRONT VIEW  
(INSIDE)



**ASSEMBLY, PRODUCT GUIDE, RH & LH (Fig. 9 OPTIONAL)**

ITEM	PART NO.	QTY.	DESCRIPTION
	<b>16020-623r1</b>	<b>1</b>	<b>ASSY, PRODUCT GUIDE, RH (FIG 9A)</b>
1	16007-238	1	BLOCK, SIDE GUIDE MTG (LONG)
2	12005-009	1	GUIDE, RH SIDE
3	-	2	SCREW, FLAT HD, #8-32 X 1/2
	<b>16020-624r0</b>	<b>1</b>	<b>ASSY, PRODUCT GUIDE, LH (FIG 9B)</b>
1	16007-238	1	BLOCK, SIDE GUIDE MTG (LONG)
2	12005-010	1	GUIDE, LH SIDE
3	-	2	SCREW, FLAT HD, #8-32 X 1/2
N/S	99004-019	2	KNOB, #10-24 MALE

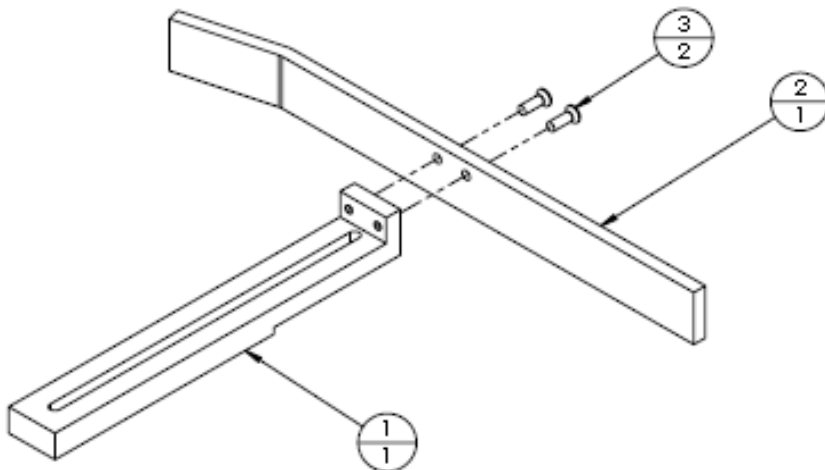


FIG 9A

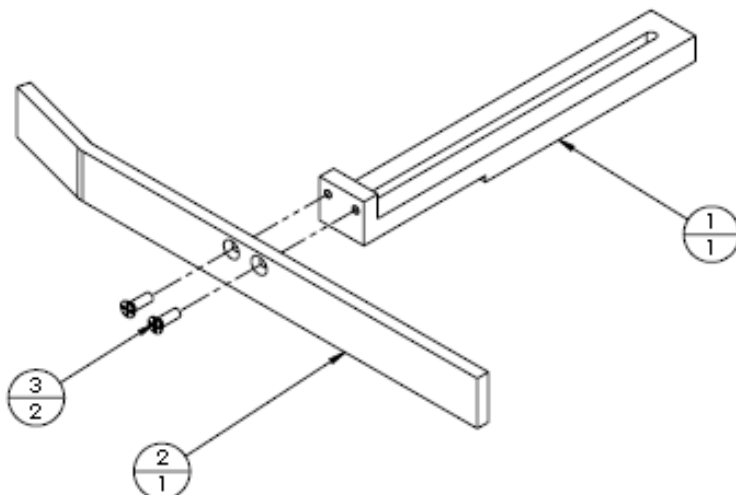
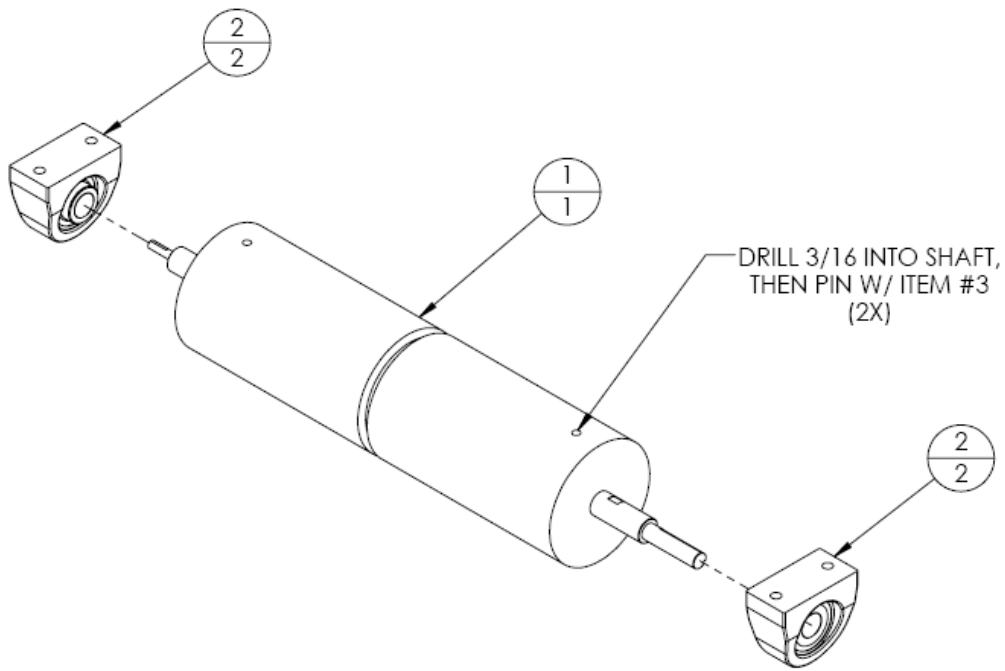


FIG 9B

**DRIVE ROLLER ASSY-14.5" BELT OPTION (Fig. 11)**

ITEM NO.	PART NUMBER	DESCRIPTION	QTY
3	99006-021	ROLL PIN, 3/16 X 1-1/4	2
2	99003-132	BEARING, PILLOW BLOCK, 3/4 BORE	2
1	16020-717	ASSY, DRIVE PULLEY	1

Special Note: Item # 3 is Not Shown





*End of Publication*