

**FLEXIBLE INK JET
TRANSPORT
72" FIT BASE: FIT-72**

Parts Manual

(BOM: FIT-72revA)



DIRECT MAIL SOLUTIONS

12050 49th STREET NORTH - CLEARWATER, FL. 33762-4301
PHONE: 727.571.3330 - FAX: 727.571.3443 - TOLL FREE: 1.800.INSERTER
web: sure-feed.com

VERSION HISTORY

The table below summarizes the history of this document as it is published onto the company website(s). It identifies the version, date of issue and revisions and changes.

| VERSION | DATE | CHANGES |
|------------------|---------|------------------|
| FIT-72parts_REV0 | 4-20-09 | ORIGINAL RELEASE |
| | | |
| | | |
| | | |
| | | |
| | | |

REVISION CONVENTIONS-DOCUMENT

VERSION: name of document with revision_level of entire document- level designates minor changes that do not require revision change

DATE: date of issue for copying and publication of document.

CHANGES: details of document revision_level.

72"FIT INKJET TRANSPORT BASE

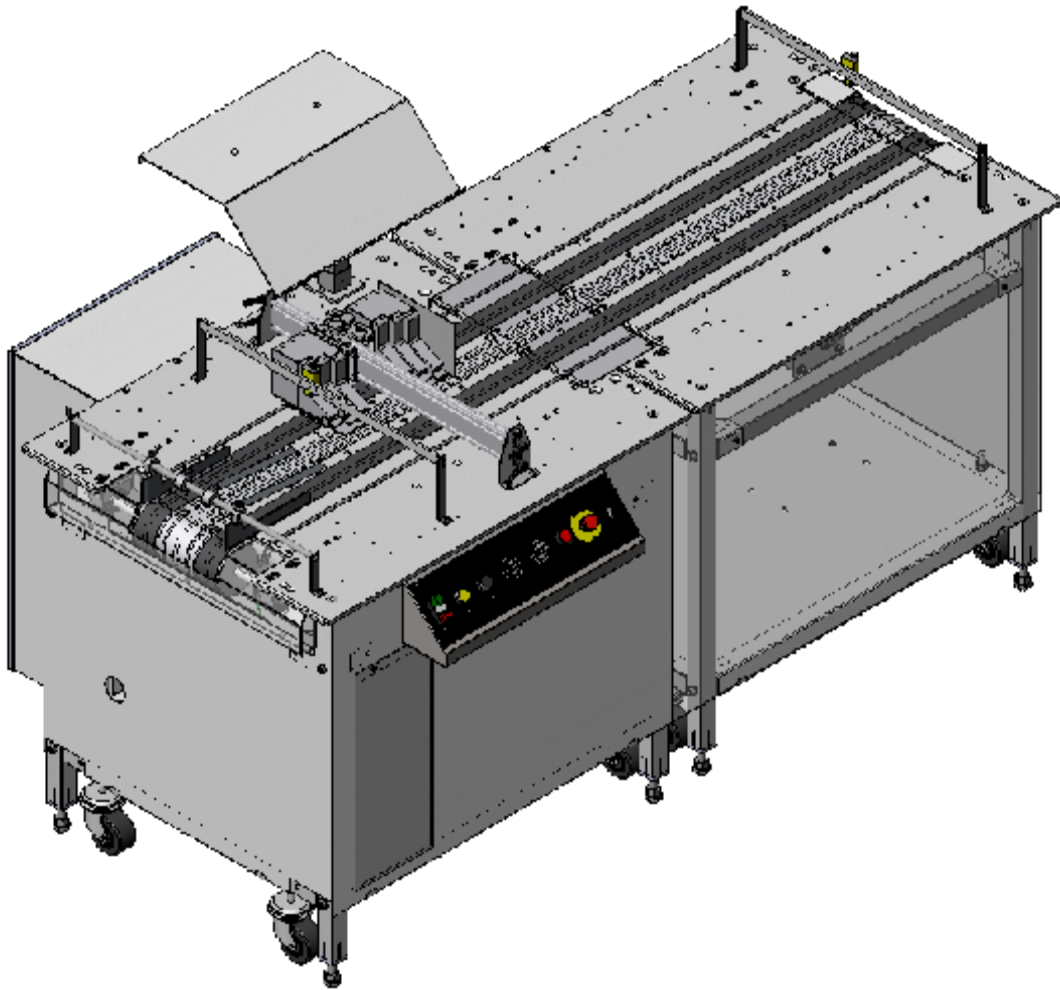


TABLE OF CONTENTS

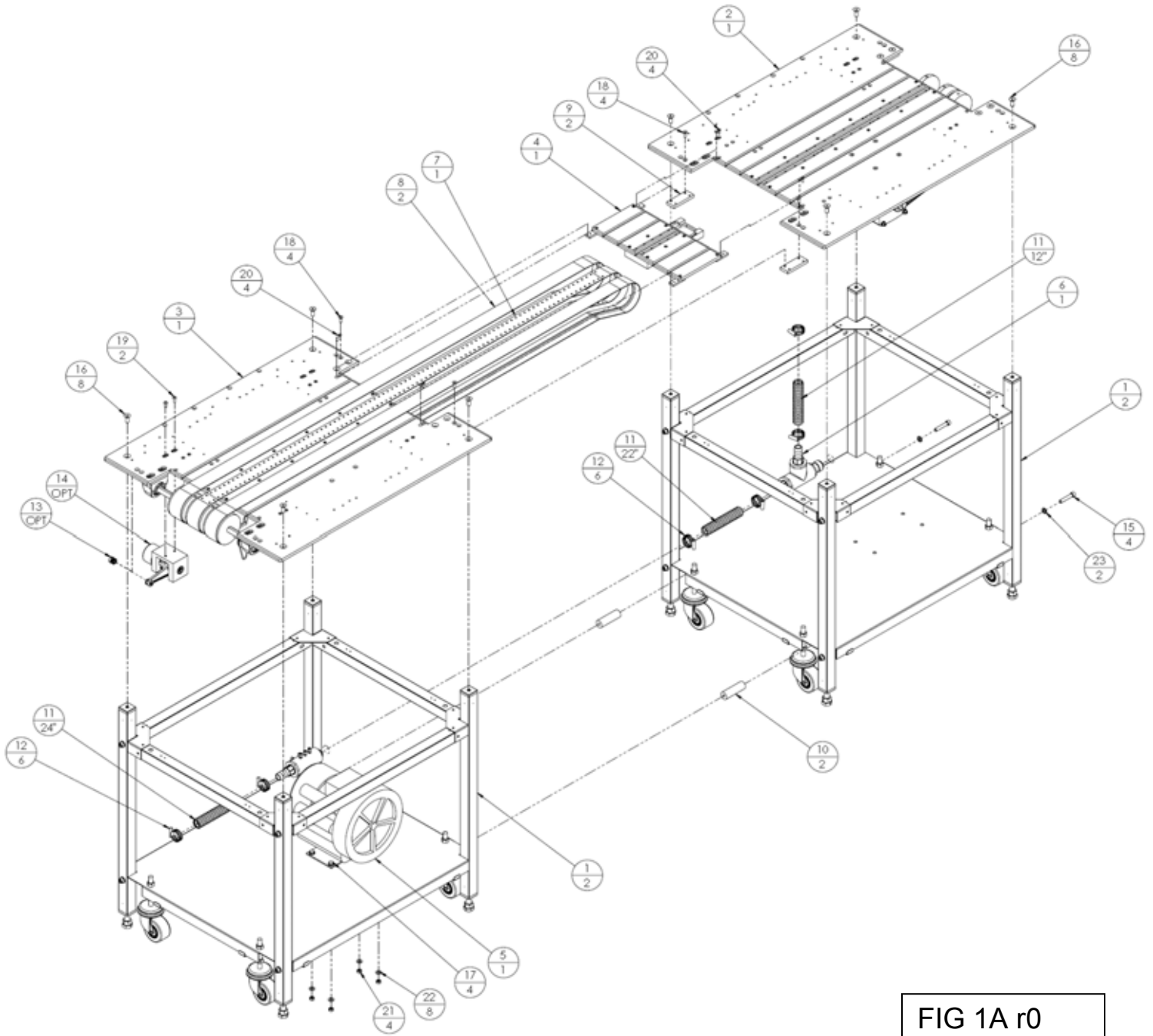
72" FLEXIBLE INK JET TRANSPORT

| | |
|---|--------------|
| FIT-72 BASE ASSEMBLY (FIG. 1A &1B) | 4-7 |
| FRAME ASSY (FIG. 2):FIT-36 | 8 |
| VACUUM CONVEYOR (FIG. 3A):FIT-36 SLAVE | 9-10 |
| VACUUM CONVEYOR (FIG. 3B):FIT-36 DRIVE | 11-12 |
| VACUUM CONVEYOR (FIG. 3C):TRANSITION | 13 |
| VACUUM PUMP (FIG. 4) | 14 |
| BLOWER (FIG. 4A) | 15 |
| INTAKE (FIG. 4B) | 16 |
| INTAKE PVC(FIG. 4C) | 17 |
| PVC TEE (FIG. 4D) | 17 |
| DRIVE ROLLERS (FIG. 5A) | 18 |
| TENSIONER (FIG. 5B) | 19 |
| MANIFOLD PVC (FIG. 5C) | 20 |
| DRIVE MOTOR (FIG. 5D) | 21 |
| MOTOR DRIVE CABLE (FIG. 5E) | 22 |
| SENSOR BAR (FIG. 6A & 6B) | 23 |
| INFEED GUIDE (FIG. 7) | 24 |
| CONTROL PANEL (FIG. 8A) | 25 |
| CONTROL PANEL HARNESS (FIG. 8B) | 26 |
| ELECTRICAL (FIG. 9) | 27-29 |
| PRODUCT GUIDES (FIG. 10 OPTIONAL) | 30 |
| 5 BELT OPTION (FIG 11) | 31 |
| 14.5" BELT OPTION (FIG 12) | 32 |

**FIT-72 BASE ASSEMBLY (Fig. 1A)
(16022-027r1)**

| ITEM | PART NO. | QTY. | DESCRIPTION |
|------|------------------|------------|---|
| 1 | SEE FIG. 2 | 2 | ASSY, FRAME, (16020-621): FIT-36 |
| 2 | SEE FIG. 3B | 1 | ASSEMBLY, VACUUM CONVEYOR (16020-664): FIT-36 |
| 3 | SEE FIG. 3A | 1 | ASSEMBLY, VACUUM CONVEYOR (16020-661): FIT-36 |
| 4 | SEE FIG. 3C | 1 | ASSEMBLY, VACUUM TRANSITION (16020-665) |
| 5 | SEE FIG 4A-C | 1 | ASSY, VACUUM PUMP (16020-630) |
| 6 | SEE FIG 4D | 1 | ASSY, PVC TEE (16020-669) |
| 7 | 16014-054 | 1 | BELT SET, VACUUM, 148.56"L X 2"W |
| 8 | 16014-055 | * | INCLUDED IN ITEM #7 |
| 9 | 16009-192 | 2 | BRACKET, BASE SPLICE |
| 10 | 16012-092 | 2 | STANDOFF, BASE MTG |
| 11 | 99031-016 | 58" | HOSE, 1" ID |
| 12 | 99017-030 | 6 | HOSE CLAMP, SS, 11/16-1-1/2 |
| 13 | 99002-172 | OPT | PULLEY, TIMING, 22MXL025, 1/4B |
| 14 | 16020-659 | OPT | ASSY, ENCODER, 300 PPI |
| 15 | - | 4 | SHCS, 3/8-16 X 2 |
| 16 | - | 8 | FHCS, 3/8-16 X 1 |
| 17 | - | 4 | HEX BOLT, 5/16-18 X 3/4 |
| 18 | - | 4 | FHCS, 1/4-20 X 3/4 |
| 19 | - | 2 | BHCS, 1/4-20 X 5/8 |
| 20 | - | 4 | FHCS, #10-24 X 5/8 |
| 21 | - | 4 | HEX NUT, 5/16-18 |
| 22 | - | 8 | FW, 5/16 |
| 23 | - | 2 | LOCK WASHER, 3/8 |
| | | | |
| | | | |
| | 16020-639 | OPT | ASSY, MONITOR STAND |
| | 16020-565 | OPT | ASSY, PRINT HEAD BRIDGE |
| | | | |
| | | | |

See next page for details

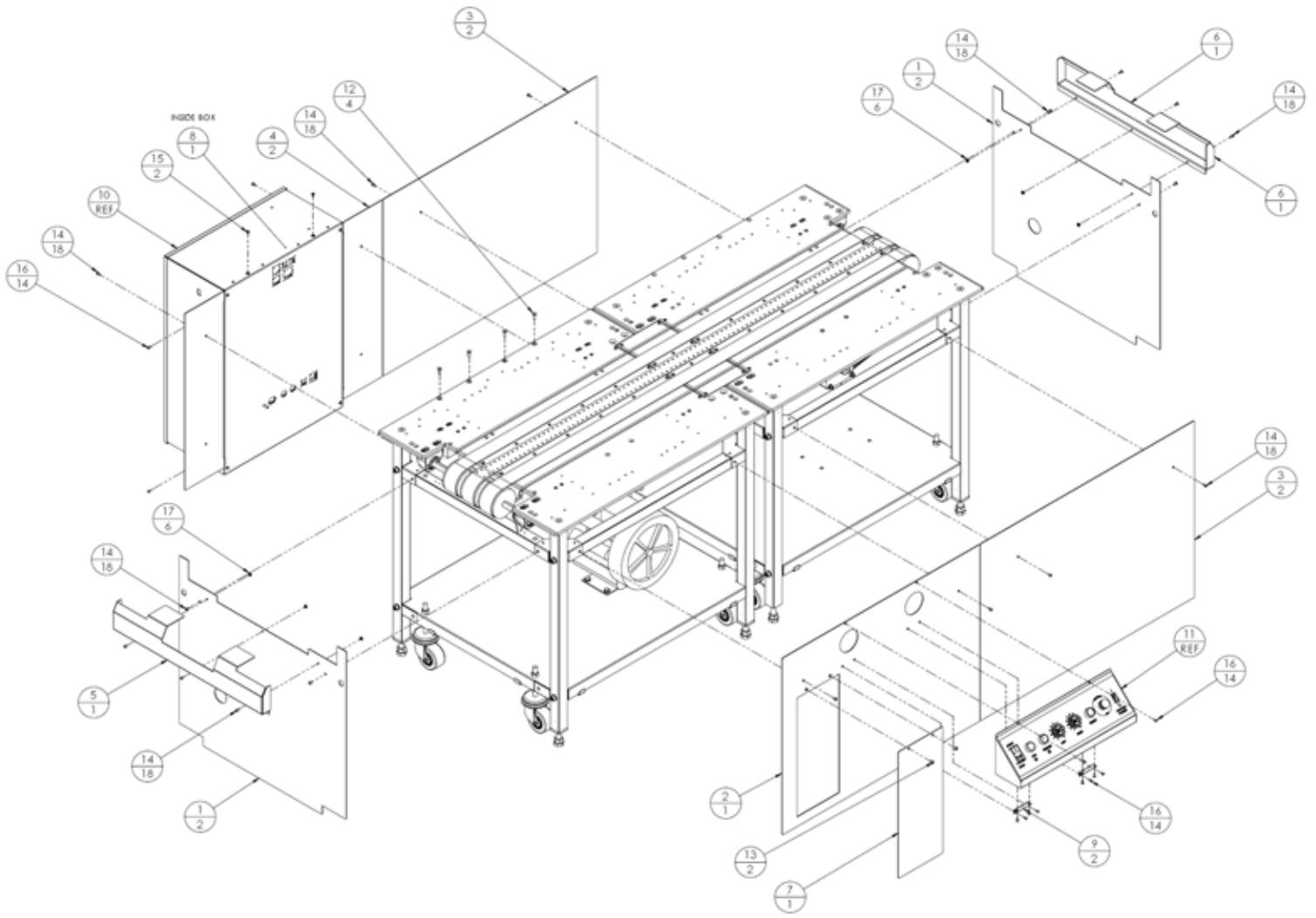


**FIT-72 BASE ASSEMBLY (Fig. 1B)
(16022-027r1)**

| ITEM | PART NO. | QTY. | DESCRIPTION |
|-------------|------------------|-------------|--------------------------------|
| 1 | 16013-327 | 2 | COVER, END W/ HOLE (FIT-36) |
| 2 | 16013-293 | 1 | COVER, FRONT (FIT 36) |
| 3 | 16013-311 | 2 | COVER, FRONT (FIT 36) |
| 4 | 16013-302 | 2 | COVER, REAR |
| 5 | 16013-299 | 1 | COVER, DRIVE DISCHARGE |
| | 16013-337 | OPT | FOR 5 BELT CONFIGURATION |
| | 16013-295 | OPT | FOR 14.5" W BELT CONFIGURATION |
| 6 | 16013-308 | 1 | COVER, DRIVE INFEED |
| | 16013-346 | OPT | FOR 5 BELT CONFIGURATION |
| | 16013-295 | OPT | FOR 14.5" W BELT CONFIGURATION |
| 7 | 16013-343 | 1 | COVER, CPU |
| 8 | 16008-214 | 1 | BAR, ENCLOSURE MTG |
| 9 | 16013-013 | 2 | HINGE, ELECTRICAL COVER |
| 10 | 16021-105 | REF | ASSY, ELECTRICAL, MAIN |
| 11 | 16021-104 | REF | ASSY, CONTROL CONSOLE |
| 12 | - | 4 | FHCS, 1/4-20 X 1 |
| 13 | - | 2 | BHCS, 1/4-20 X 3/8 |
| 14 | - | 18 | BHCS, #10-24 X 3/8 |
| 15 | - | 2 | FHCS, #10-24 X 3/8 |
| 16 | - | 14 | BHCS, #8-32 X 3/8 |
| 17 | - | 6 | HEX NUT, NYLOC, #10-24 |
| | | | |

See next page for details

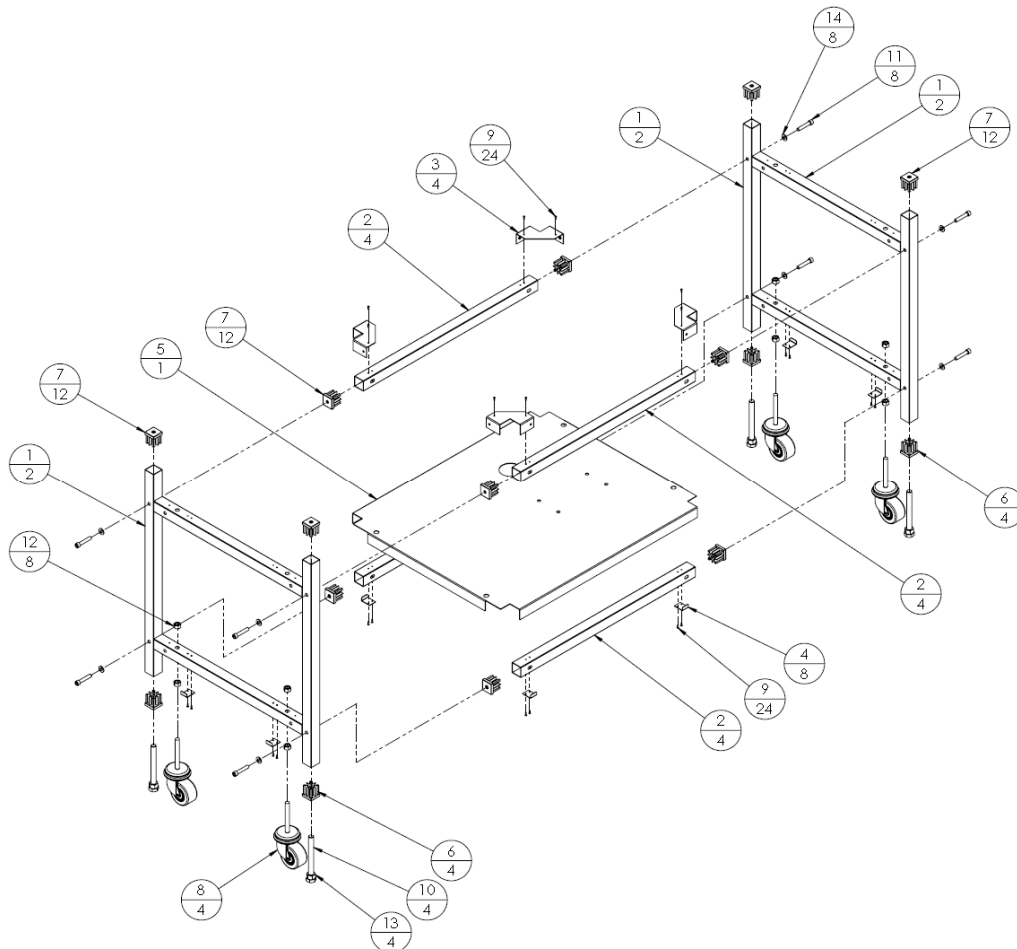
FIG 1B r0



**36" FRAME ASSEMBLY (Fig. 2)
(16020-621)**

| ITEM | PART NO. | QTY. | DESCRIPTION |
|------|-----------|------|--|
| 1 | 16000-087 | 2 | FRAME, SIDE |
| 2 | 16003-011 | 4 | CROSSBAR, FRONT |
| 3 | 16009-188 | 4 | BRACKET, FRAME SUPPORT |
| 4 | 16009-189 | 8 | BRACKET, COVER SUPPORT |
| 5 | 16013-292 | 1 | COVER, FLOOR |
| 6 | 99038-005 | 4 | TUBE END, THREADED, 5/8 -11 (FEET) |
| 7 | 99038-004 | 12 | TUBE END, THREADED, 3/8 -16 (CROSSBAR & TOP) |
| 8 | 99010-017 | 4 | CASTER, 3" |
| 9 | 99039-091 | 24 | POP RIVET |
| 10 | - | 4 | HHCS, 5/8-11 X 6 |
| 11 | - | 8 | SHCS, 3/8-16 X 2 |
| 12 | - | 8 | HEX NUT, 1/2-13 |
| 13 | - | 4 | HEX NUT, 5/8-11 |
| 14 | - | 8 | FW, 3/8 |

NOTE: (2) FRAME BASES NEEDED



PITNEY BOWES

36" VACUUM CONVEYOR ASSY-SLAVE 16020-661r1 (Fig. 3A)

| ITEM | PART NO. | QTY. | DESCRIPTION |
|------|------------|------|---|
| 1 | SEE FIG 5A | 1 | ASSY, DRIVE ROLLER W/ ENCODER (16020-625) |
| 2 | SEE FIG 5B | 2 | ASSY, TENSIONER (16020-637) |
| 3 | SEE FIG 5C | 1 | ASSY, MANIFOLD PVC (16020-644) |
| 4 | 16011-357 | 1 | PLATE, TOP |
| 5 | 16013-291 | 1 | VACUUM MANIFOLD CHAMBER |
| 6 | 16007-193 | 1 | BLOCK, VACUUM CHAMBER CONNECTOR |
| 7 | 16012-091 | 4 | SPACER, BEARING BLOCK VIBRATION |
| 8 | 98028-055 | 1 | ADAPTER, MALE, 3/4NPT X 3/4 |
| 9 | 98015-042 | 1 | FINISH PLUG, BLACK, 13/16 |
| 10 | - | 4 | BHCS, 3/8-16 X 1 |
| 11 | - | 4 | BHCS, 1/4-20 X 1/2 |
| 12 | - | 8 | FHCS, #10-24 X 3/4 |
| 13 | - | 12 | FHCS, #8-32 X 5/8 |

See next page for details

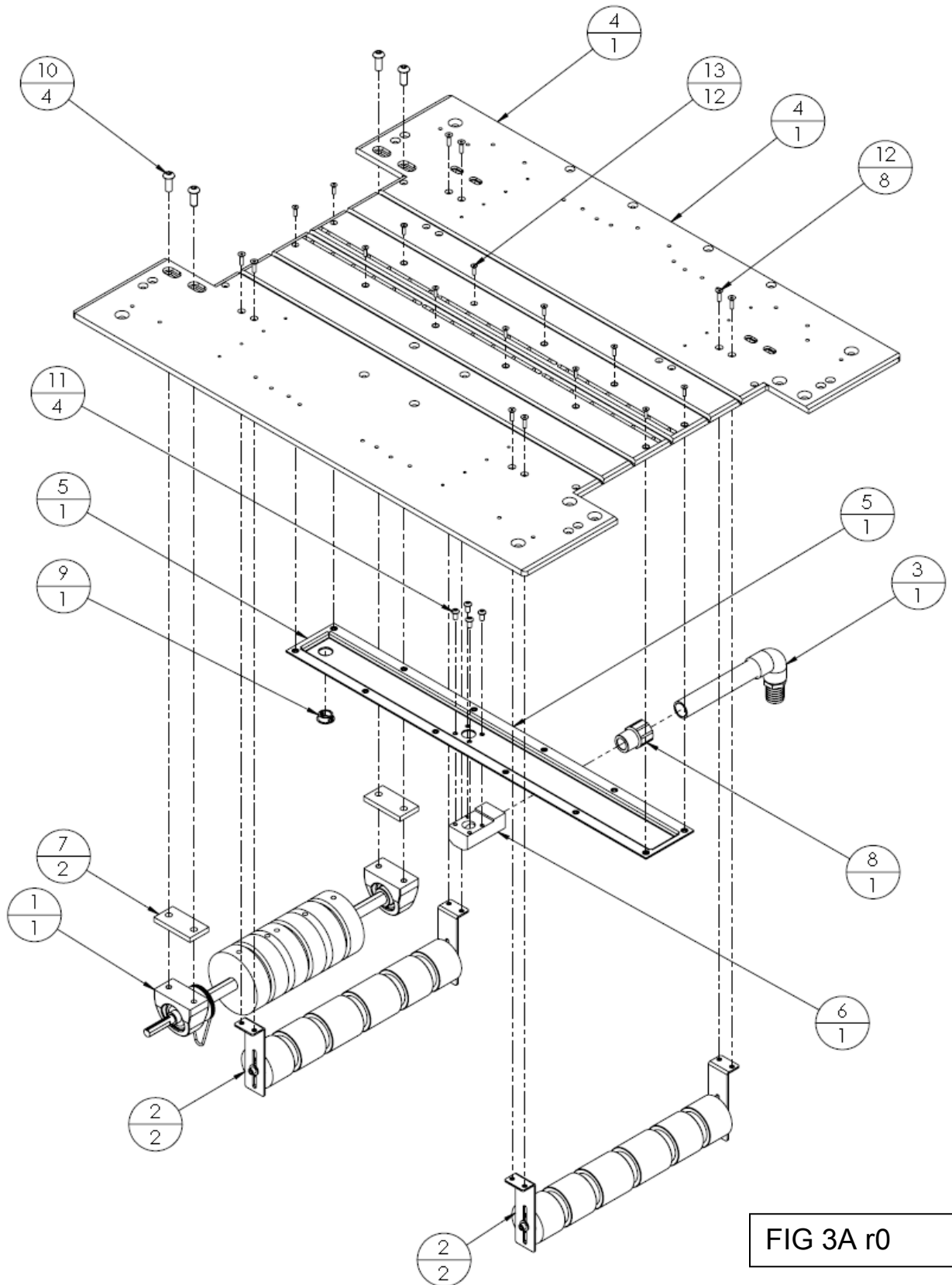


FIG 3A r0

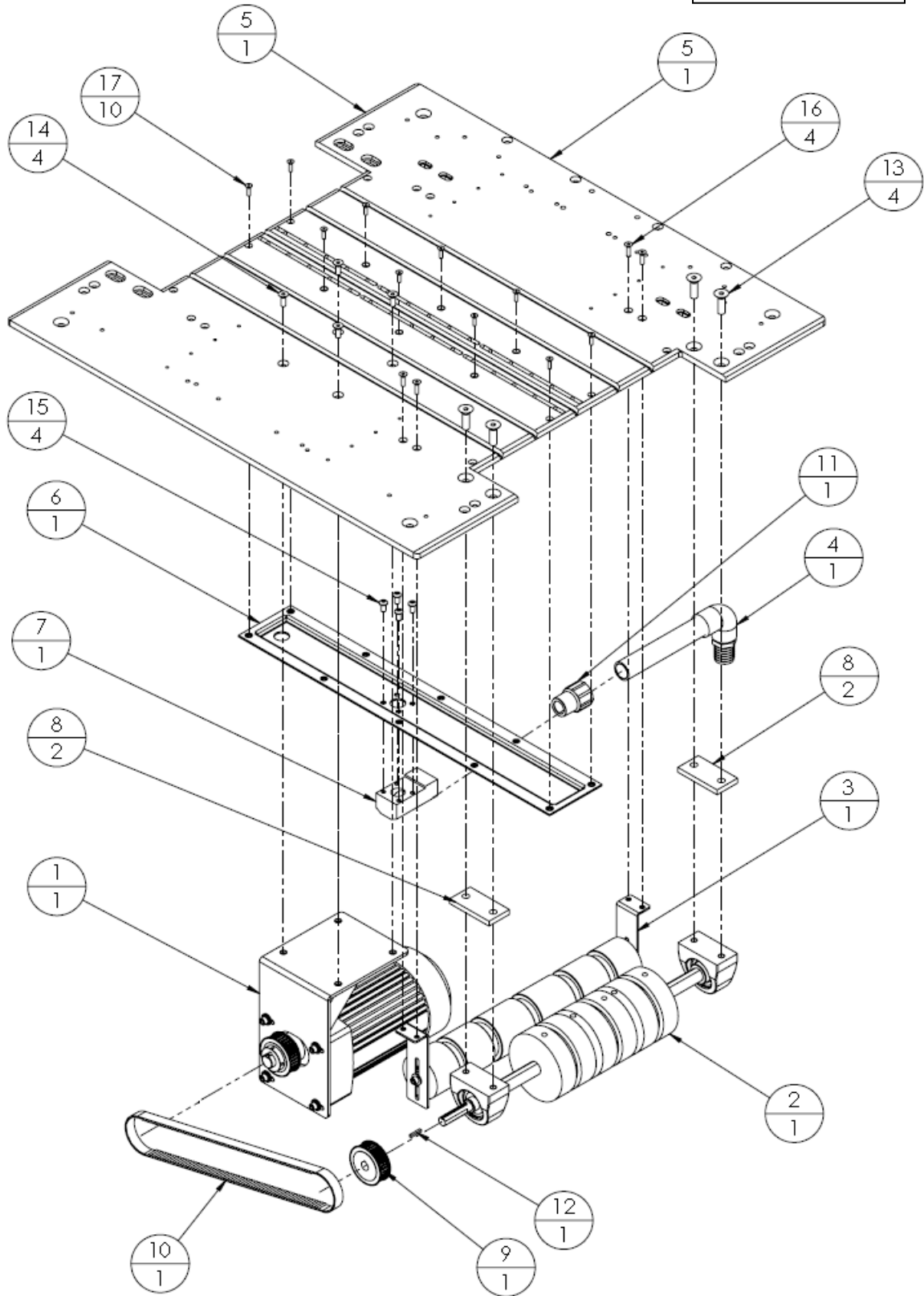
PITNEY BOWES

36" VACUUM CONVEYOR ASSY-DRIVE 16020-664r1 (Fig. 3B)

| ITEM | PART NO. | QTY. | DESCRIPTION |
|------|------------|------|---------------------------------|
| 1 | SEE FIG 5D | 1 | ASSY, DRIVE MOTOR (16020-636) |
| 2 | SEE FIG 5A | 1 | ASSY, DRIVE ROLLER (16020-626) |
| 3 | SEE FIG 5B | 1 | ASSY, TENSIONER (16020-637) |
| 4 | SEE FIG 5C | 1 | ASSY, MANIFOLD PVC (16020-644) |
| 5 | 16011-357 | 1 | PLATE, TOP |
| 6 | 16013-291 | 1 | VACUUM MANIFOLD CHAMBER |
| 7 | 16007-193 | 1 | BLOCK, VACUUM CHAMBER CONNECTOR |
| 8 | 16012-091 | 2 | SPACER, BEARING BLOCK VIBRATION |
| 9 | 99002-168 | 1 | PULLEY, TIMING 34-5M-15 |
| 10 | 99000-363 | 1 | BELT, TIMING, HTD, 1000-5M-15 |
| 11 | 98028-055 | 1 | ADAPTER, MALE, 3/4NPT X 3/4 |
| 12 | 99034-003 | 1 | KEY, SQUARE, 1/8 X 3/4 |
| 13 | - | 4 | BHCS, 3/8-16 X 1-1/4 (ITEM #2) |
| 14 | - | 4 | FHCS, 1/4-20 X 3/4 (ITEM #1) |
| 15 | - | 4 | SBHCS, 1/4-20 X 1/2 (ITEM #7) |
| 16 | - | 4 | FHCS, #10-24 X 3/4 (ITEM #3) |
| 17 | - | 10 | FHCS, #8-32 X 5/8 (ITEM #6) |

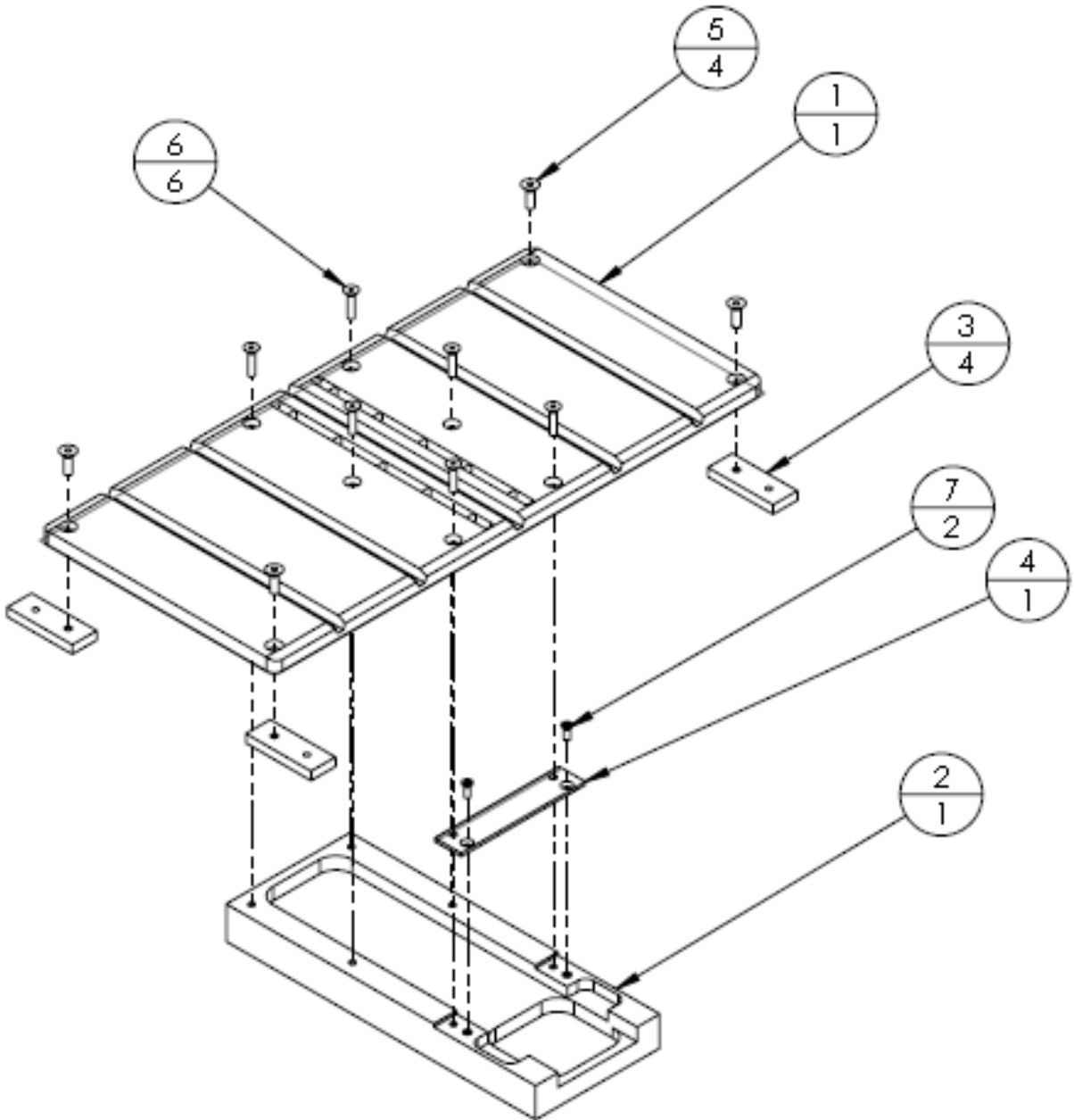
See next page for details

FIG 3B r0



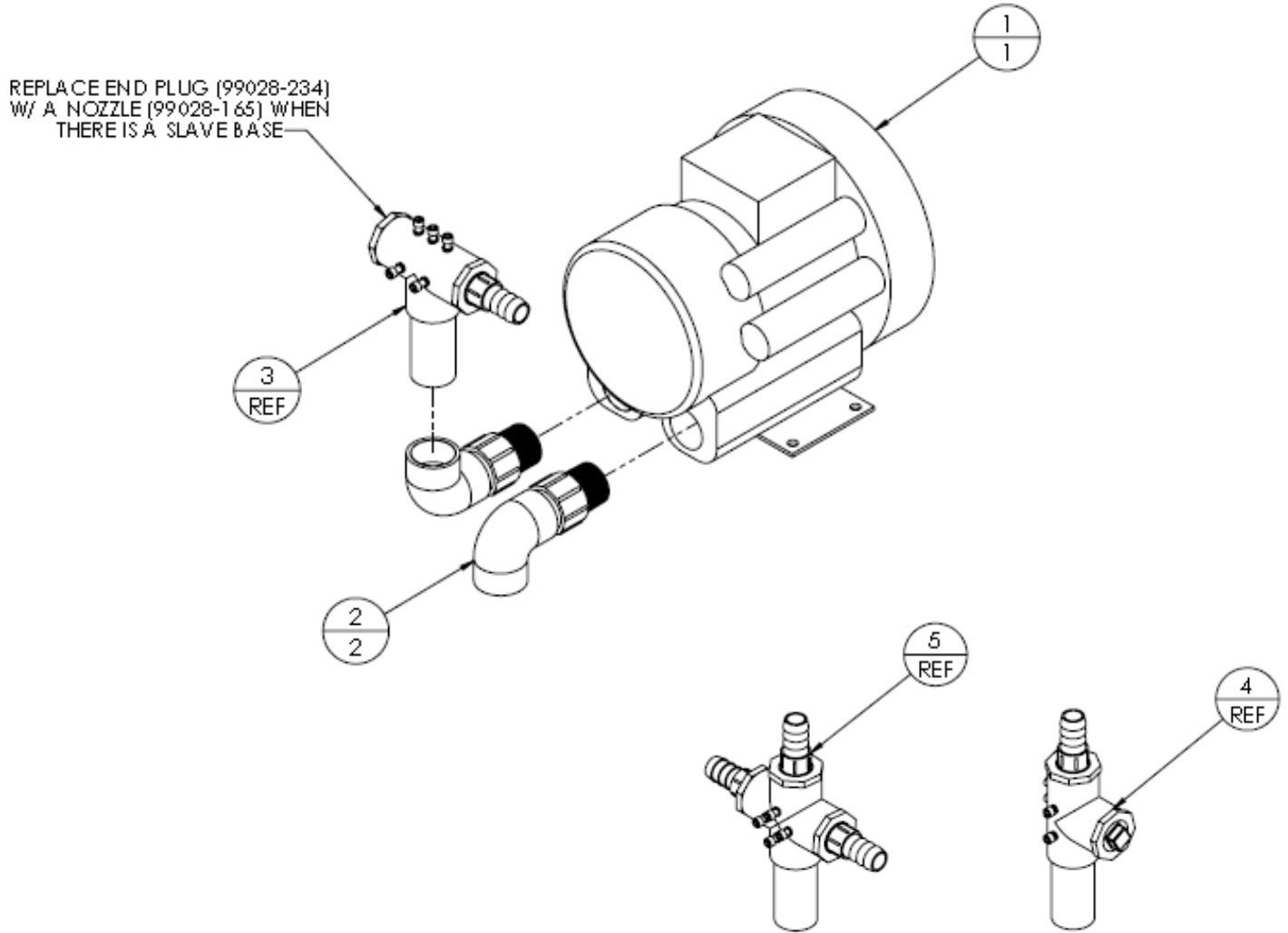
VACUUM CONVEYOR ASSEMBLY (16020-665r1 (Fig. 3C)

| ITEM | PART NO. | QTY. | DESCRIPTION |
|------|-----------|------|----------------------------|
| 1 | 16011-371 | 1 | PLATE, VACUUM TRANSITION |
| 2 | 16013-344 | 1 | VACUUM CHAMBER, TRANSITION |
| 3 | 16007-250 | 4 | BLOCK, SPLICE |
| 4 | 16013-345 | 1 | SPACER, VACUUM CHAMBER |
| 5 | - | 4 | FHCS, #10-24 X 5/8 |
| 6 | - | 6 | FHCS, #8-32 X 3/4 |
| 7 | - | 2 | FHMS, #6-32 X 3/8 |



VACUUM PUMP ASSY 16020-630r1 (FIG 4)

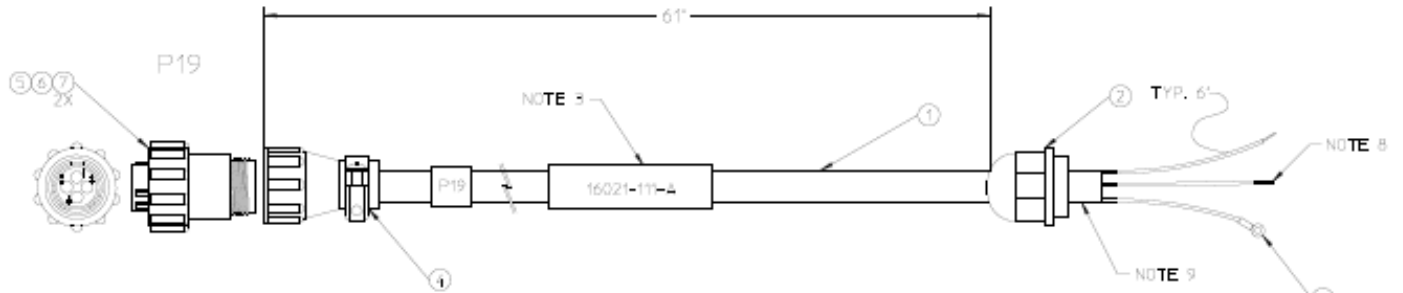
| ITEM | PART NO | QTY | DESCRIPTION |
|------|-----------|-----|--|
| 1 | 16021-099 | 1 | ASSY, BLOWER, 80 CFM |
| 2 | 16020-494 | 2 | ASSY, INTAKE PVC |
| 3 | 16020-650 | REF | ASSY, VACUUM PUMP INTAKE (STANDARD) |
| 4 | 16020-683 | REF | ASSY, VACUUM PUMP INTAKE (R TO L CONFIG) |
| 5 | 16020-694 | REF | ASSY, VACUUM PUMP INTAKE (DUAL SLAVE) |



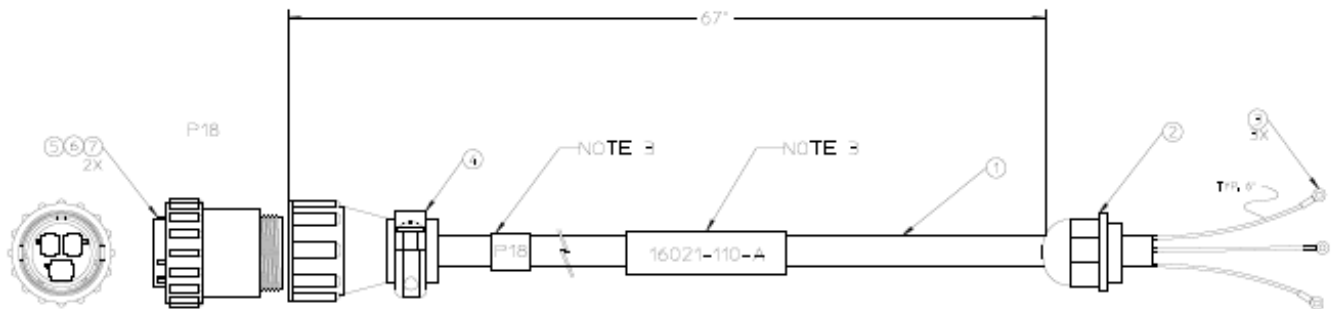
- NOTES:
1. REPLACE ITEM#3 WITH ITEM#4 WHEN THE BASE IS A RIGHT TO LEFT
 2. REPLACE ITEM#3 WITH ITEM#5 WHEN BASE HAS DUAL SLAVES

BLOWER ASSEMBLY (16021-099r0) (Fig. 4A)

| ITEM | PART NO. | QTY. | DESCRIPTION |
|------|------------------|--------|----------------------------------|
| 1 | 99029-007 | 1 | BLOWER, BUSCH #SB0080, DOHT. UBX |
| 2 | 16021-111 | 1 | THERMAL OVERLOAD CABLE |
| -1 | 98010-250 | 2 FT | CABLE, 18-3C, HAR 600V |
| -2 | 98015-060 | 1 | STRAIN RELIEF, M16X1.5 |
| -3 | 98016-221 | 3 | TERMINAL RING, #8, 14-16 AWG |
| -4 | 98016-015 | 1 | BACKSHELL, PLASTIC SIZE 11 |
| -5 | 98016-029 | 1 | PLUG, SERIES 1, 11-4 REVERSE |
| -6 | 98016-234 | 1 | PIN, EXTENDED, 16-18 AWG |
| -7 | 98016-059 | 2 | CONTACT, PIN, 18-14 AWG |
| 3 | 16021-110 | 1 | ASSY, VACUUM POWER CABLE |
| -1 | 98010-182 | 5.7 FT | CABLE, 16/3 HAR EXPORT BLACK |
| -2 | 98015-059 | 1 | STRAIN RELIEF, M25X1.5 |
| -3 | 98016-221 | 3 | TERMINAL RING, #8, 14-16 AWG |
| -4 | 98016-005 | 1 | BACKSHELL, PLASTIC SIZE 17 |
| -5 | 98016-004 | 1 | PLUG REVERSE, SERIES 3, 17-3 |
| -6 | 98016-237 | 1 | PIN, EXTENDED, 16-12 AWG |
| -7 | 98016-026 | 2 | CONTACT, PIN, 16-12 AWG |



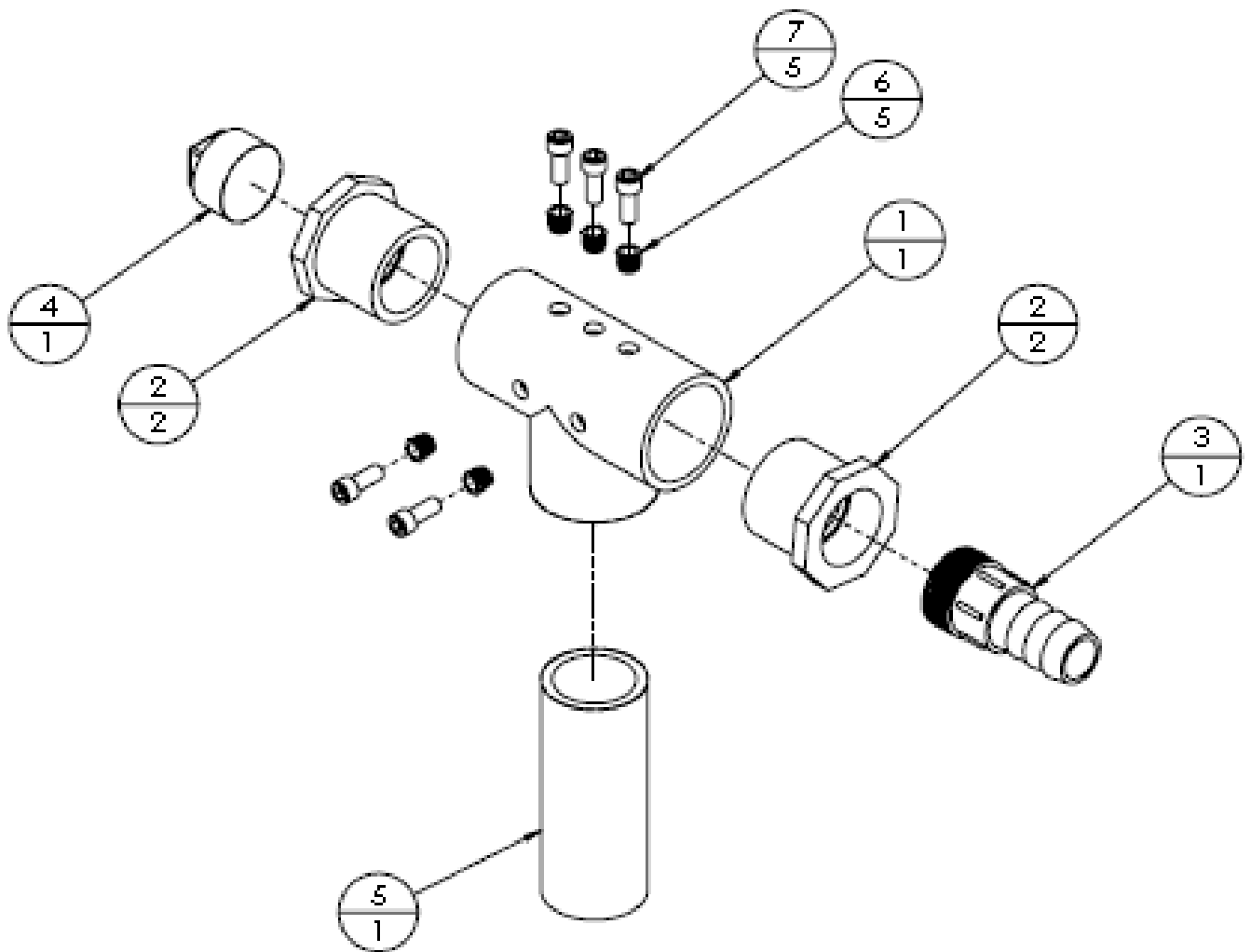
16021-111



16021-110

VACUUM PUMP INTAKE ASSEMBLY 16020-650r1 (FIG 4B)

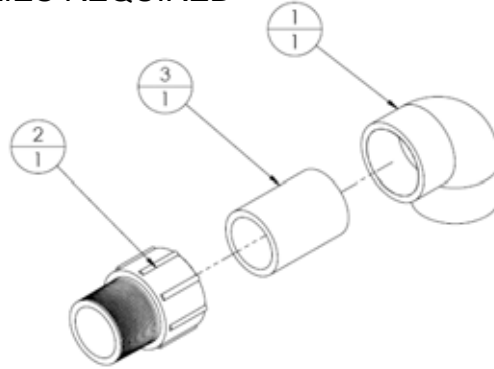
| ITEM | PART NO. | QTY. | DESCRIPTION |
|------|-----------|------|--|
| 1 | 16018-058 | 1 | TEE, PVC, 1-1/4 SLIP W/ THREADED INSERT (ITEM 9) |
| 2 | 99028-164 | 2 | BUSHING, REDUCER, PVC, 1"NPT X 1-1/4 PVC |
| 3 | 99028-165 | 1 | HOSE BARB, NYLON, 1" HOSE X 1" NPT |
| 4 | 99028-234 | 1 | PLUG, PVC, 1" |
| 5 | 16018-026 | 1 | PIPE, PVC SECTION, 1-1/4 X 4" L |
| 6 | 99028-229 | 5 | THREADED INSERT, 1/4-20 |
| 7 | - | 5 | SHCS, 1/4-20 X 5/8 |



INTAKE PVC ASSEMBLY 16020-494 (FIG 4C)

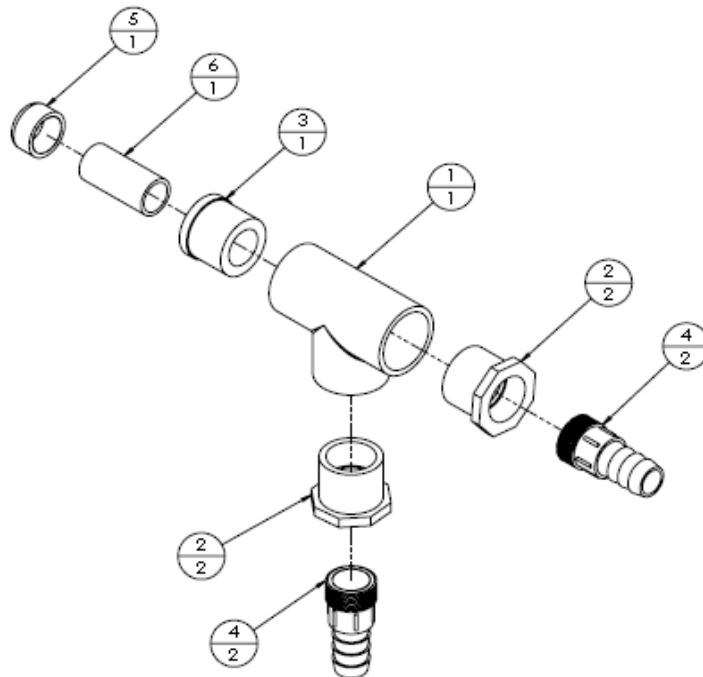
| ITEM | PART NO. | QTY. | DESCRIPTION |
|------|-----------|------|-------------------------------------|
| 1 | 99028-106 | 1 | ELBOW, 90 DEG PVC, 1-1/4 SLIP |
| 2 | 99028-105 | 1 | ADAPTER, MALE, 1-1/4NPT X 1-1/4 PVC |
| 3 | 16018-024 | 1 | PIPE, PVC SECTION, 1-1/4 X 2.25 L |

NOTE: QTY (2) ASSEMBLIES REQUIRED



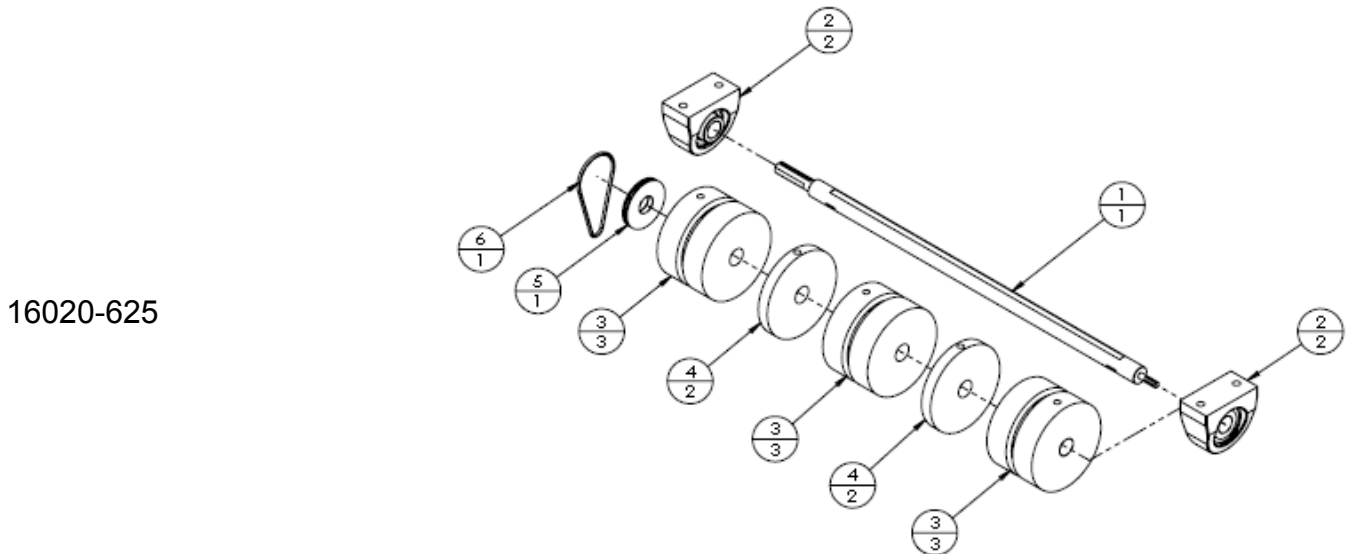
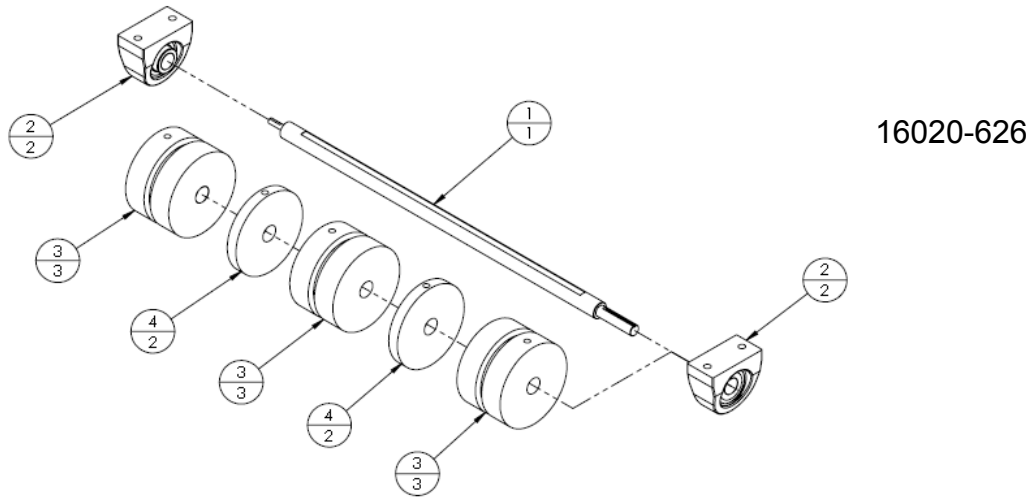
PVC TEE ASSEMBLY 16020-669 (FIG 4D)

| ITEM | PART NO. | QTY. | DESCRIPTION |
|------|-----------|------|---|
| 1 | 99028-146 | 1 | TEE PVC, 1-1/4 SLIP |
| 2 | 99028-164 | 2 | ADAPTER, MALE, 1"NPT X 1-1/4 PVC |
| 3 | 99028-212 | 1 | FITTING, REDUCER, 1-1/4 X 3/4" PVC SLIP |
| 4 | 99028-165 | 2 | HOSE BARB, 1"NPT-1"HOSE |
| 5 | 99028-113 | 1 | CAP, PIPE 3/4" SLIP PVC |
| 6 | 16018-016 | 1 | PIPE, PVC SECTION, 3/4 X 2.25" L |



DRIVE ROLLER ASSEMBLIES (Fig. 5A)

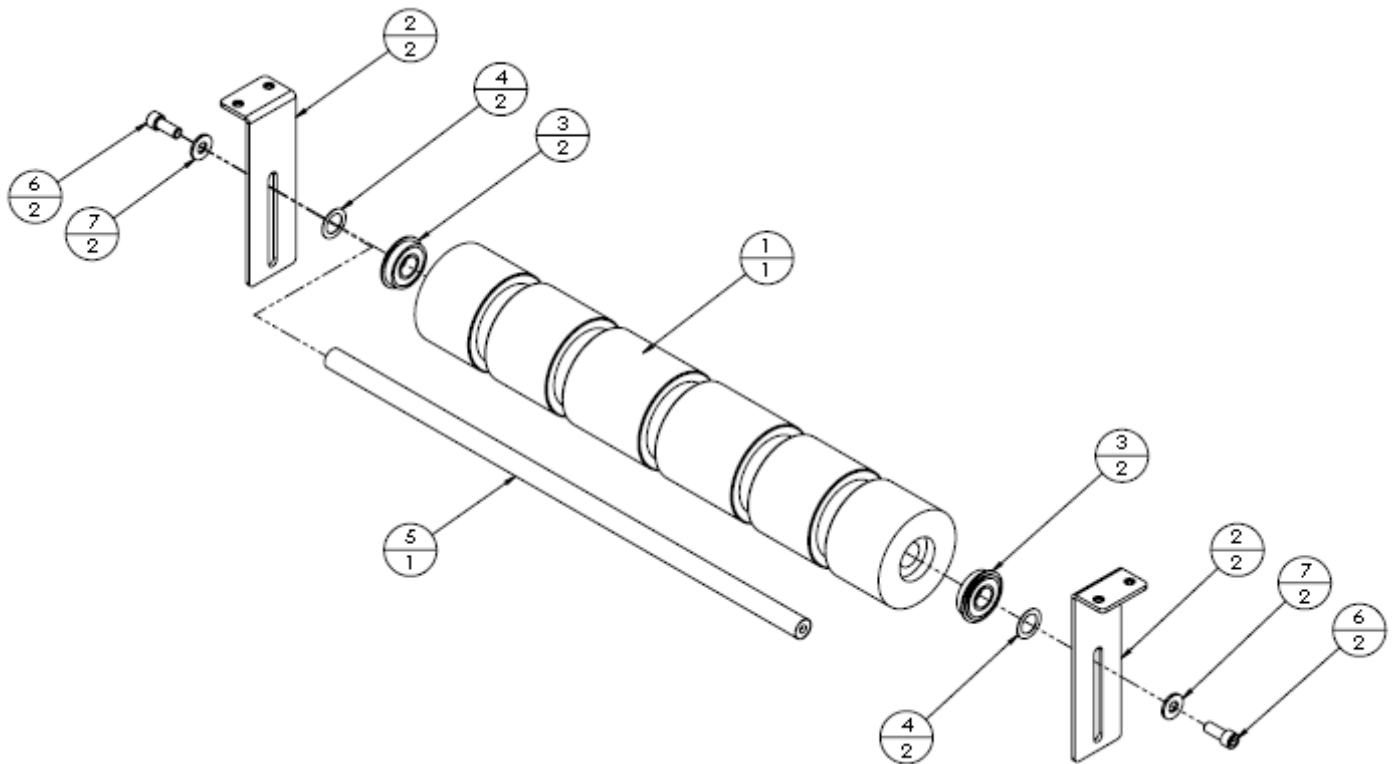
| ITEM | PART NO. | QTY. | DESCRIPTION |
|------|------------------|----------|---|
| | 16020-626 | 1 | ASSY, DRIVE ROLLER |
| 1 | 16004-230 | 1 | SHAFT, DRIVE, ENCODER |
| 2 | 99003-132 | 2 | BEARING, PILLOW BLOCK, 3/4B |
| 3 | 16006-175 | 3 | PULLEY, DRIVE |
| 4 | 16006-179 | 2 | PULLEY, SPACER |
| 5 | - | 5 | SET SCREW, CUP, 1/4-20 X 1/4 (ITEMS 3 &4) |
| | 16020-625 | 1 | ASSY, DRIVE ROLLER W/ O-RING |
| 1 | 16004-230 | 1 | SHAFT, DRIVE, ENCODER |
| 2 | 99003-132 | 2 | BEARING, PILLOW BLOCK, 3/4B |
| 3 | 16006-175 | 3 | PULLEY, DRIVE |
| 4 | 16006-179 | 2 | PULLEY, SPACER |
| 5 | 16006-178 | 1 | PULLEY, O-RING DRIVE |
| 6 | 16014-048 | 1 | BELT, O-RING, TRANSITION |
| 7 | - | 5 | SET SCREW, CUP, 1/4-20 X 1/4 (ITEMS 3 &4) |
| 8 | - | 1 | SET SCREW, CUP, #6-32 X 1/4 (ITEM 5) |



TENSIONER ASSEMBLY 16020-637r1 (Fig. 5B)

| ITEM | PART NO. | QTY. | DESCRIPTION |
|------|-----------|------|--------------------------|
| 1 | 16006-173 | 1 | ROLLER TENSIONER |
| 2 | 16009-183 | 2 | BRACKET, TENSIONER MTG |
| 3 | 99003-047 | 2 | BEARING, 1/2 X 1-1/8 |
| 4 | 99036-004 | 2 | SHIM, BEARING, 1/2 X 3/4 |
| 5 | 16004-231 | 1 | SHAFT, IDLER ROLLER |
| 6 | - | 2 | SHCS, 1/4-20 X 5/8 |
| 7 | - | 2 | FW, 1/4 |

NOTE: QTY (3) ASSEMBLIES REQUIRED

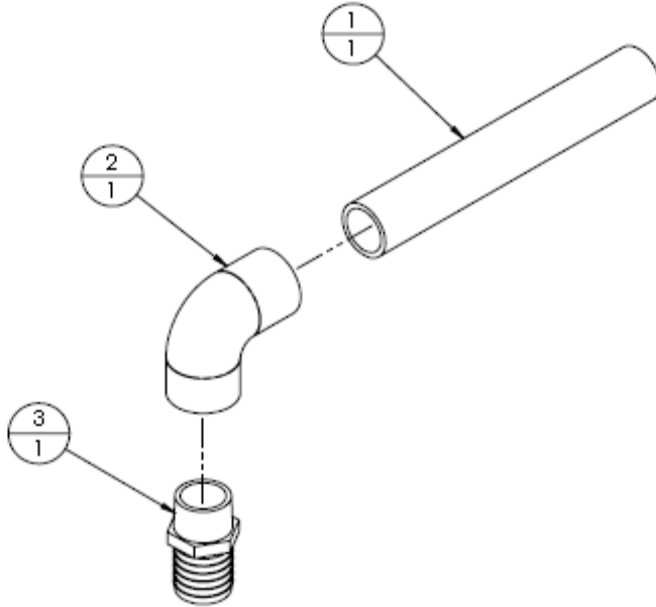


PITNEY BOWES

MANIFOLD PVC ASSEMBLY 16020-644 (FIG 5C)

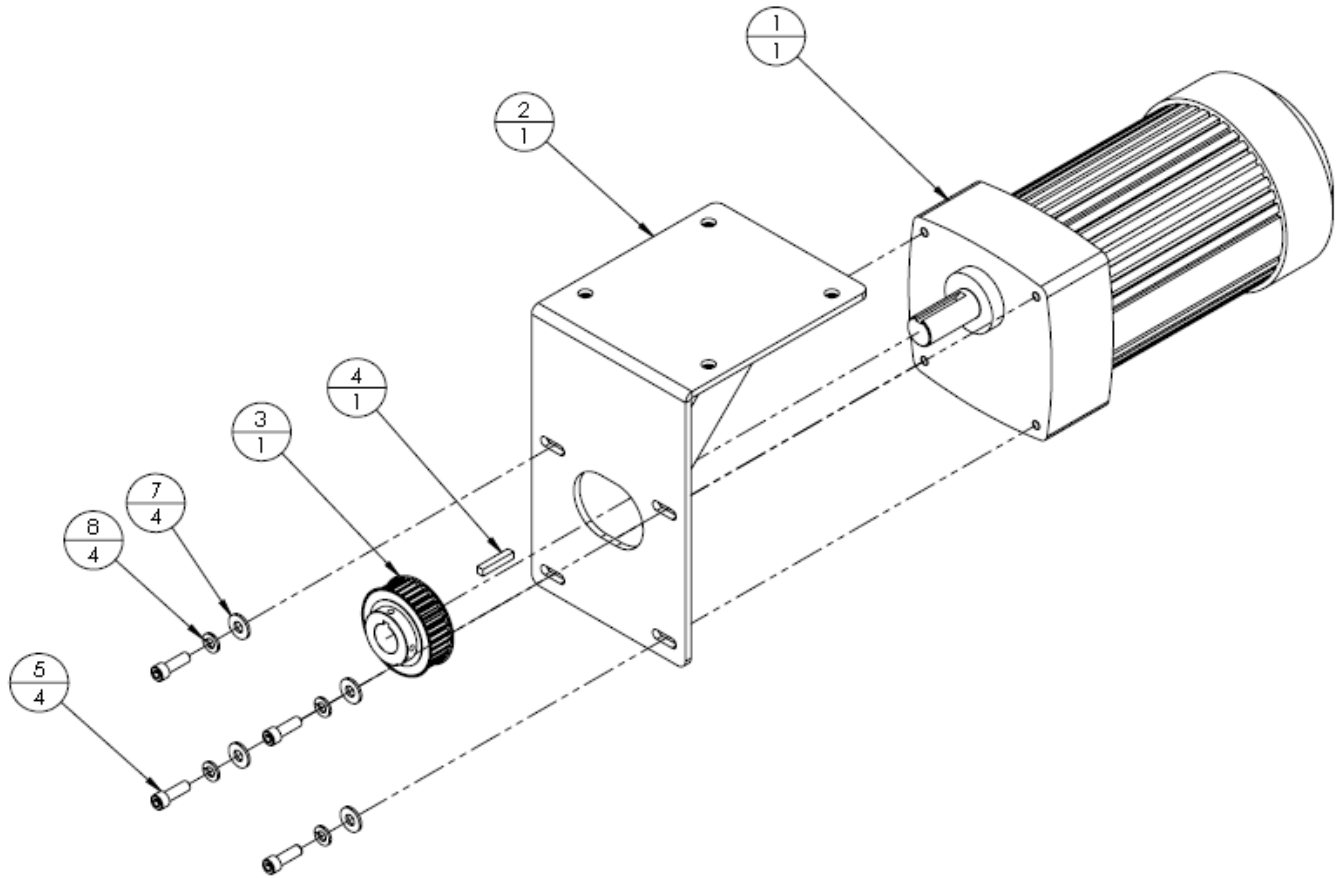
| ITEM | PART NO. | QTY. | DESCRIPTION |
|------|-----------|------|--------------------------------------|
| 1 | 16018-057 | 1 | PIPE, PVC SECTION, 3/4 X 6.75 L |
| 2 | 99028-227 | 1 | ELBOW, 90 DEG PVC, 3/4 SLIP X 3/4NPT |
| 3 | 99028-228 | 1 | HOSE BARB, NYLON, 1" HOSE X 3/4 FPT |

NOTE: QTY (2) ASSEMBLIES REQUIRED



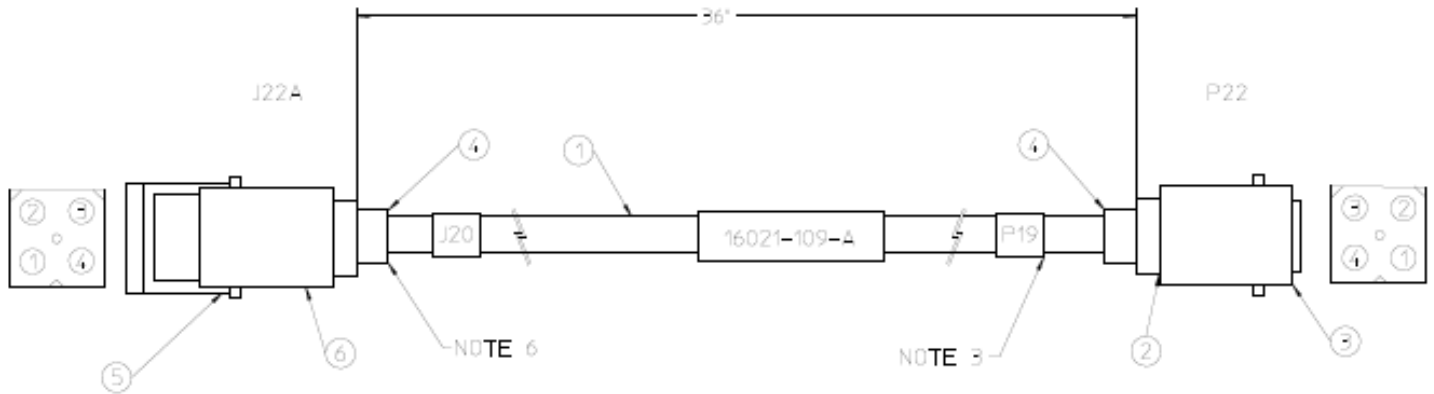
DRIVE MOTOR ASSY 16020-636r1 (Fig. 5D)

| ITEM | PART NO. | QTY. | DESCRIPTION |
|------|------------------|----------|--|
| | 16021-113 | 1 | ASSY, MOTOR |
| 1 | 99001-066 | 1 | MOTOR, 3/8 HP, 340 RPM, 5:1 |
| 2 | 16009-181 | 1 | BRACKET, MOTOR MTG |
| 3 | 99002-169 | 1 | PULLEY, TIMING, HTD, 34-5M-15, 3/4B |
| 4 | 99034-002 | 1 | KEY, SQ, 3/16 X 1 |
| 5 | - | 4 | SHCS, 1/4-28 X 3/4 |
| 6 | - | 1 | SET SCREW, FLAT, #10-24 X 1/4 (ITEM 3) |
| 7 | - | 4 | WASHER, FLAT, 1/4 |
| 8 | - | 4 | LOCKWASHER, 1/4 |
| N/S | 98003-074 | 1 | SLEEVE HOUSING |
| N/S | 98003-071 | 1 | PLUG, 3 POSITION MALE, |



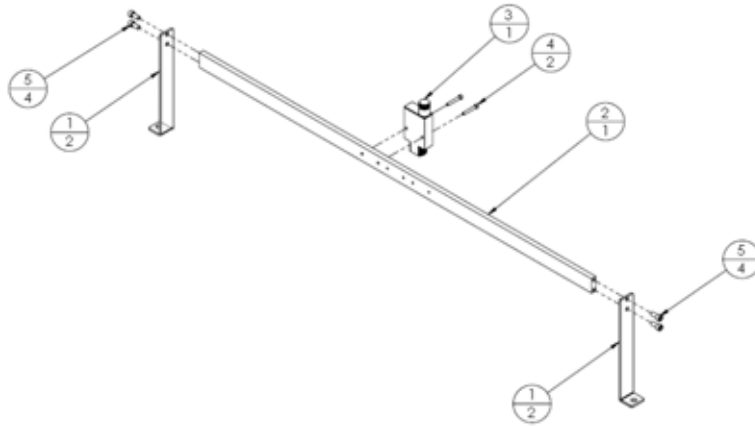
MOTOR DRIVE CABLE ASSY 16021-109rA (Fig. 5E)

| ITEM | PART NO. | QTY. | DESCRIPTION |
|------|-----------|------|--------------------------------|
| 1 | 99010-034 | 3 FT | CABLE, 14/4 |
| 2 | 98003-074 | 1 | SLEEVE HOUSING |
| 3 | 98003-071 | 1 | PLUG, 3 POSITION MALE, |
| 4 | 98019-040 | 2 " | HEAT SHRINK, 1/2" |
| 5 | 98003-070 | 1 | PLUG, 3 POSITION FEMALE, |
| 6 | 98003-073 | 1 | COUPLING HOUSING W/ LOCK LATCH |



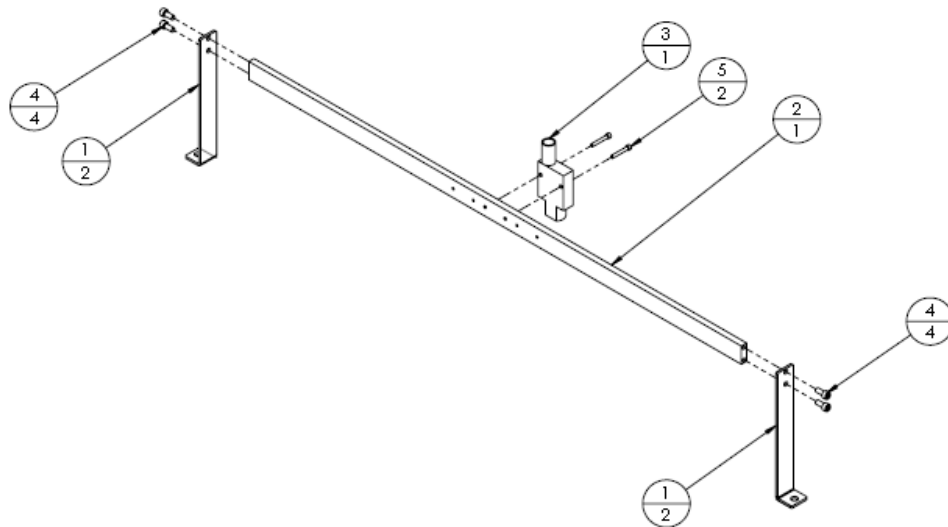
SENSOR BAR ASSY 16020-622 (FIG 6A)

| ITEM | PART NO | QTY | DESCRIPTION |
|------|-----------|-----|--------------------------------|
| 1 | 16009-185 | 2 | BRACKET, SENSOR SUPPORT, FRONT |
| 2 | 16008-196 | 1 | BAR, DRAG STRAP MTG |
| 3 | 98009-021 | 1 | BANNER, MINI BEAM |
| 4 | - | 2 | SHCS, #4-40 X 3/4 |
| 5 | - | 4 | SHCS, #8-32 X 3/8 |



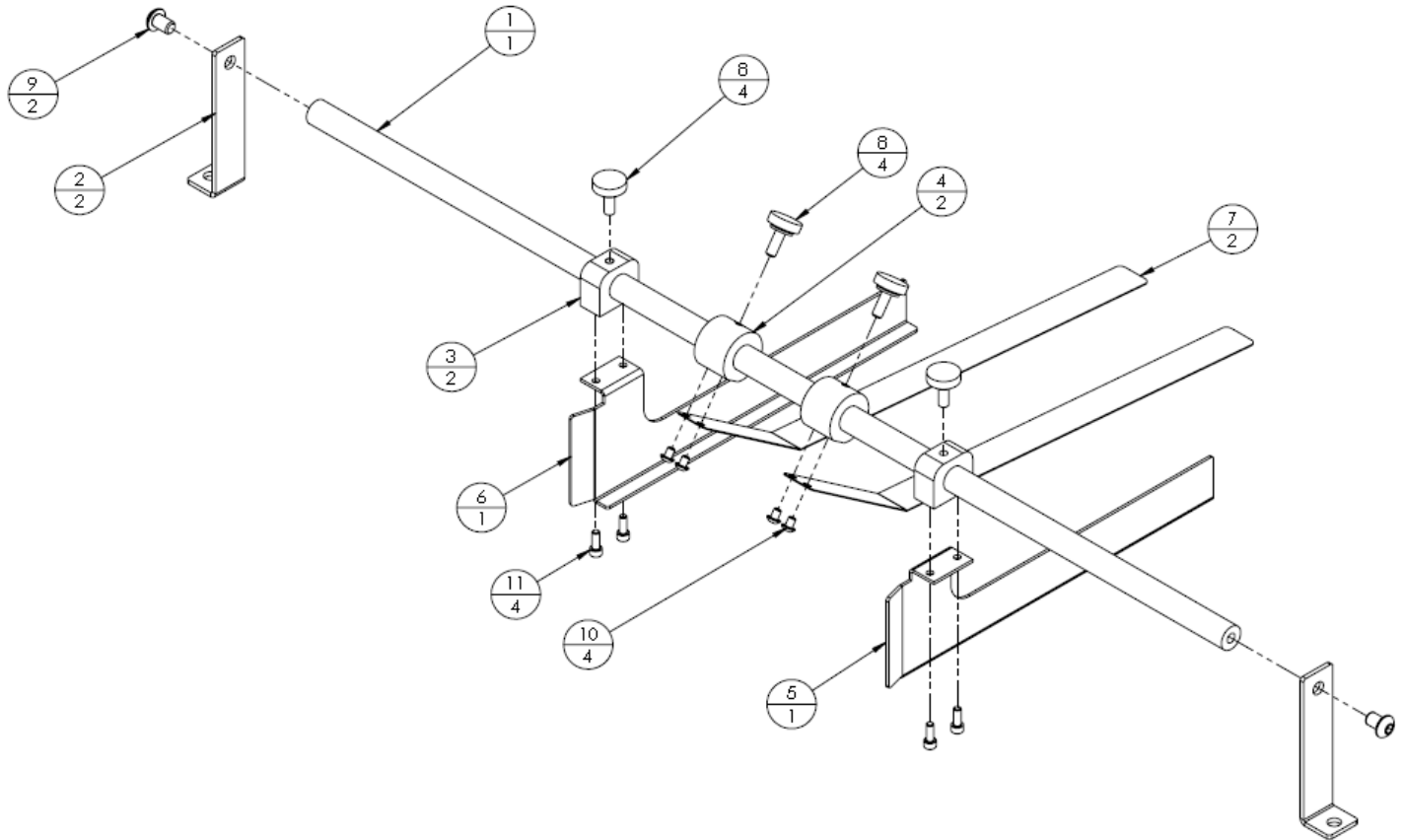
SENSOR BAR ASSY 16020-691 (FIG 6B)

| ITEM | PART NO | QTY | DESCRIPTION |
|------|-----------|-----|--------------------------------|
| 1 | 16009-185 | 2 | BRACKET, SENSOR SUPPORT, FRONT |
| 2 | 16008-196 | 1 | BAR, DRAG STRAP MTG |
| 3 | 98009-036 | 1 | BANNER, MINI BEAM |
| 4 | - | 2 | SHCS, #4-40 X 3/4 |
| 5 | - | 4 | SHCS, #8-32 X 3/8 |



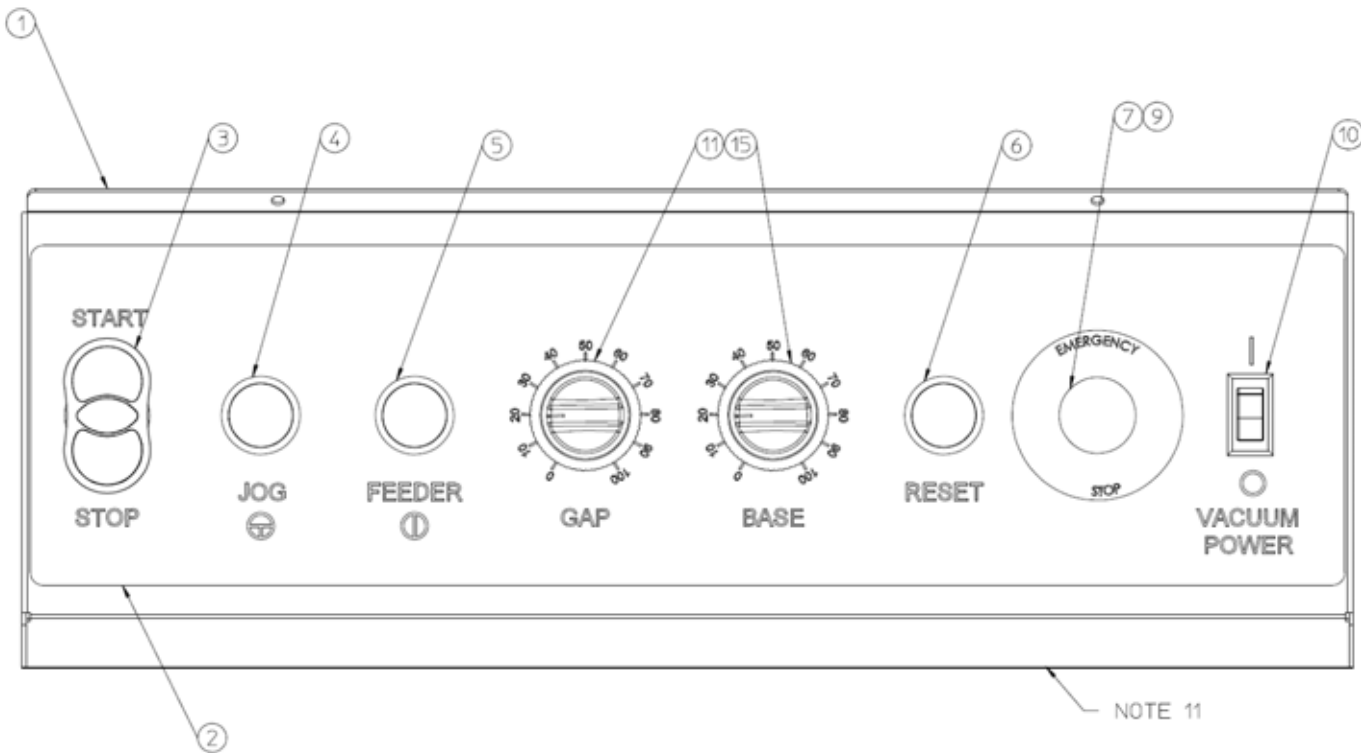
INFEED GUIDE ASSY 16020-666 (FIG 7)

| ITEM | PART NO | QTY | DESCRIPTION |
|------|-----------|-----|-----------------------------|
| 1 | 16004-238 | 1 | SHAFT, DRAG STRAP MTG |
| 2 | 16009-206 | 2 | BRACKET, SIDE GUIDE SUPPORT |
| 3 | 16007-253 | 2 | BLOCK, SIDE GUIDE MTG |
| 4 | 16007-251 | 2 | BLOCK, DRAG STRAP MTG |
| 5 | 16005-089 | 1 | GUIDE, RH SIDE |
| 6 | 16005-090 | 1 | GUIDE, LH SIDE |
| 7 | 18005-105 | 2 | GUIDE, SPRING STEEL, 12" L |
| 8 | 10020-317 | 4 | ASSY, KNOB #10-24 X 1/2 |
| 9 | - | 2 | BHCS, 1/4-20 X 3/8 |
| 10 | - | 4 | PHMS, #6-32 X 3/16 |
| 11 | - | 4 | SHCS, #6-32 X 3/8 |



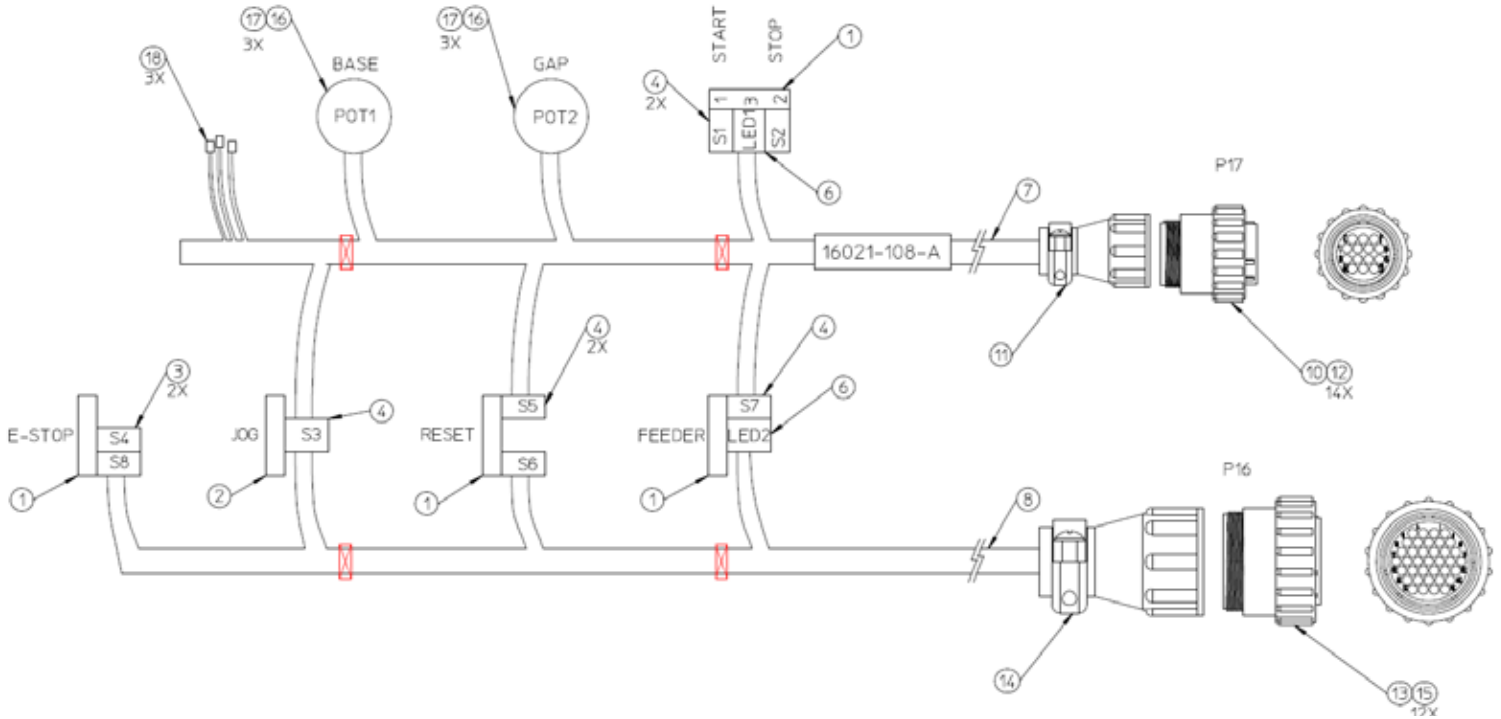
CONTROL PANEL ASSEMBLY (16021-104rA) (Fig. 8A)

| ITEM | PART NO. | QTY. | DESCRIPTION |
|------|-----------|------|--------------------------------------|
| 1 | 16013-339 | 1 | ENCLOSURE, CONTROL CONSOLE |
| 2 | 16015-034 | 1 | LABEL, CONSOLE |
| 3 | 98000-100 | 1 | PUSHBUTTON, ILLUMINATED, GREEN |
| 4 | 98000-118 | 1 | JOG, PUSHBUTTON, TEXT AND SYMBOL |
| 5 | 98000-099 | 1 | PUSHBUTTON, ILLUMINATED, FLUSH |
| 6 | 98000-097 | 1 | RESET, PUSHBUTTON, RED |
| 7 | 98000-113 | 1 | E-STOP, MUSHROOM HD, NON-ILLUMINATED |
| 9 | 98000-111 | 1 | E-STOP PLATE |
| 10 | 98000-041 | 1 | SWITCH, ROCKER-WHITE |
| 11 | 98006-035 | 2 | KNOB LOCK |
| 15 | 98006-021 | 2 | KNOB, POTENTIOMETER |



CONTROL PANEL HARNESS ASS'Y (16021-108rA) (Fig. 8B)

| ITEM | PART NO. | QTY. | DESCRIPTION |
|------|-----------|--------|--------------------------------|
| 1 | 98000-103 | 4 | CLIP, THREE POSITION |
| 2 | 98000-102 | 1 | CLIP, ONE POSITION |
| 3 | 98000-108 | 2 | CONTACT BLOCK, NC, GOLD PLATED |
| 4 | 98000-105 | 6 | CONTACT BLOCK, 1XNO, PROTECTED |
| 5 | 98019-027 | 13 | CABLE TIE |
| 6 | 98000-110 | 2 | LED BLOCK, WHITE |
| 7 | 98010-183 | 8.5 FT | CABLE, 18/15 SHIELDED |
| 8 | 98010-018 | 8.5 FT | CABLE, 24/15 SHIELDED |
| 10 | 98016-092 | 1 | PLUG, 17-14 REVERSING |
| 11 | 98016-008 | 1 | BACKSHELL, PLASTIC, SIZE 13 |
| 12 | 98016-059 | 14 | CONTACT, PIN, 18-14 AWG |
| 13 | 98016-097 | 1 | PLUG, 37 POSITION |
| 14 | 98016-014 | 1 | BACKSHELL, PLASTIC, SIZE 23 |
| 15 | 98016-025 | 12 | CONTACT, PIN, 24-20 AWG |
| 16 | 98006-036 | 2 | SPEED POT, 10KΩ |



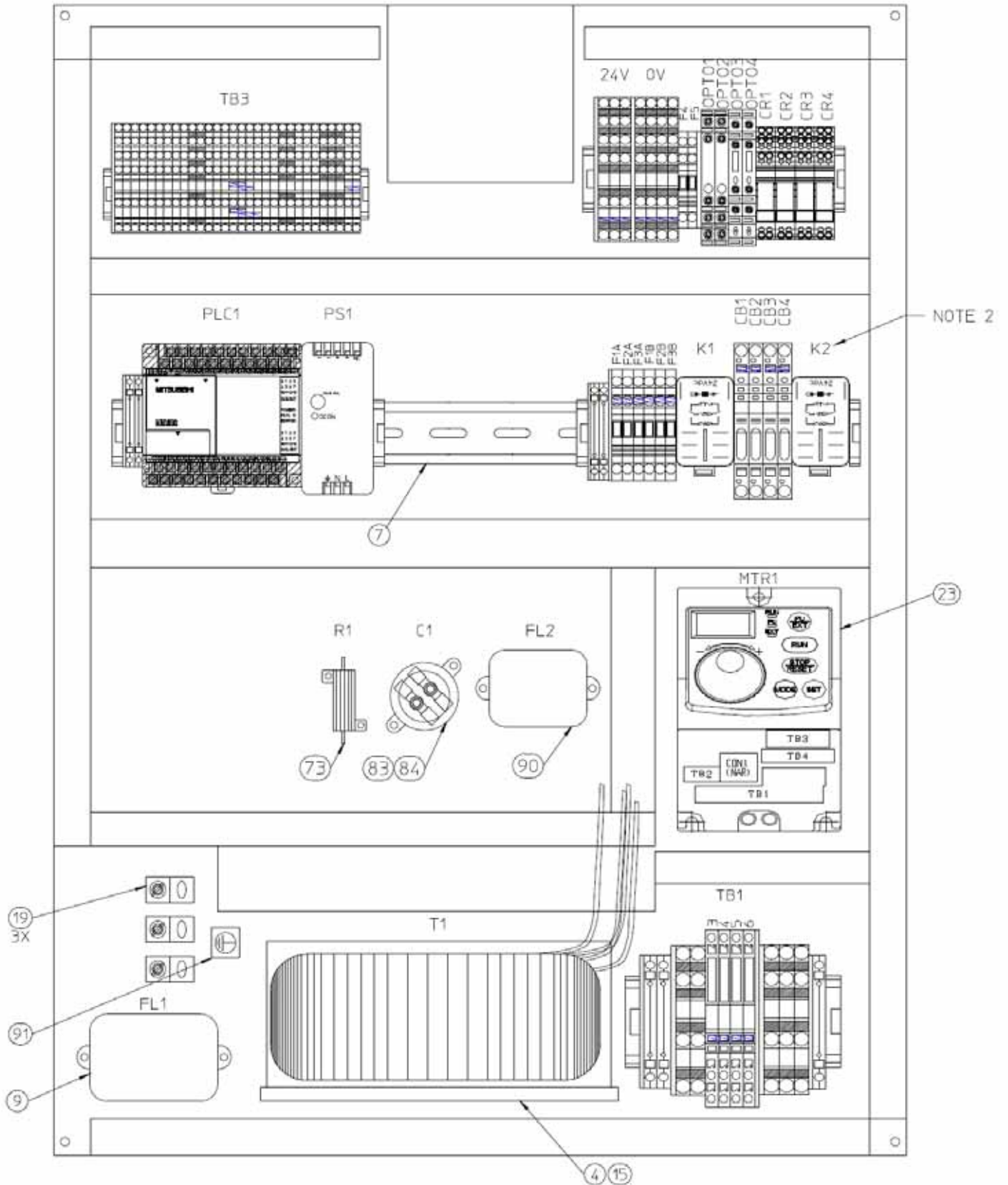
MAIN ELECTRICAL ENCLOSURE (16021-105rB2) (Fig. 9)

| ITEM | PART NO. | QTY. | DESCRIPTION |
|------|-----------|---------|--|
| 1 | 16013-288 | 1 | MAIN CONTROL ENCLOSURE |
| 2 | 16013-290 | 1 | ENCLOSURE COVER |
| 3 | 12013-050 | 1 | BACK PANEL |
| 4 | 16009-180 | 1 | TRANSFORMER BRACKET |
| 5 | 98016-222 | 1 | RING TERMINAL, 1/4, 14-16 AWG |
| 6 | 98012-003 | 10.2 FT | DUCT, WIREWAY W/ COVER, 1 X 3 |
| 7 | 98001-022 | 3.5 FT | DIN RAIL |
| 8 | 98008-026 | 1 | TRANSFORMER, 234/117, 220VA |
| 9 | 98020-104 | 1 | FILTER-RFI, 115/250V, 16A |
| 12 | 98001-134 | 5 | TERMINAL, QUAD |
| 13 | 98001-131 | 8 | TERMINAL, 3 WIRE |
| 14 | 98001-138 | 7 | GROUND TERMINAL |
| 15 | 98001-123 | 9 | ENDSTOP |
| 16 | 98001-132 | 2 | COVER |
| 17 | 98001-136 | 2 | COVER, DUAL/QUAD TERMINAL |
| 18 | 98001-140 | 4 | END COVER, GROUND |
| 19 | 98019-068 | 1 | STRAIGHT PRESSURE TONGUE |
| 20 | 98002-060 | 2 | RELAY, DPDT, 30A, 24VDC, |
| 21 | 98001-114 | 4 | TERMINAL BLOCK FOR CIRCUIT BREAKER |
| 22 | 98013-133 | 1 | VFD, FR-D720S-042-NA, 1 PH |
| 23 | 98013-054 | 1 | PLC, FX1N-24 MR-ES/UL |
| 24 | 98011-018 | 1 | POWER SUPPLY, 24V, 1.25A |
| 25 | 98020-070 | 2 | OUTPUT MODULE, |
| 26 | 98013-015 | 2 | OPTP ISOLATOR |
| 27 | 98002-058 | 4 | RELAY, DPDT, 24V AC/DC |
| 28 | 98001-139 | 23 | TERMINAL, DUAL (ALT: 98001-147)* |
| 29 | 98001-135 | 14 | TERMINAL, SHORTED (ALT: 98001-148)* |
| 30 | 98001-137 | 3 | END COVER, DOUBLE LAYER (ALT: 98001-149) |
| 31 | 98001-130 | 4 | BRIDGE, 2 POSITION |
| 32 | 98001-145 | 2 | JUMPER, 3-WAY, FUSE BLOCK |
| 33 | 98001-129 | 1 | BRIDGE, 3 POSITION |
| 34 | 98001-126 | 8 | FUSE HOLDER, POP-OFF |
| 35 | 98004-089 | 2 | CIRCUIT BREAKER, 4A |
| 36 | 98004-088 | 2 | CIRCUIT BREAKER, 3 A |
| 49 | 98010-226 | 2 | CORDSET, 4 SOCKET EURO |
| 50 | 98015-027 | 2 | CORD GRIP, 1/2 GRAY |
| 51 | 98010-250 | 15 FT | HAR CABLE, 18/3 |
| 52 | 98010-182 | 2 FT | HAR CABLE, 16/3 |
| 53 | 98010-237 | 15 FT | HAR CABLE, 14/3 |
| 54 | 98016-103 | 3 | RECEPTACLE, SQ FL, 37 POSITION |
| 55 | 98016-091 | 1 | RECEPTACLE, SQ FL, 17-14 POSITION |
| 56 | 98016-011 | 5 | RECEPTACLE, SQ FL, 11-4 POSITION |
| 57 | 98015-003 | 2 | LOCKNUT, 1/2 |

PITNEY BOWES

| | | | |
|----|-----------|-----|----------------------------------|
| 58 | 98015-001 | 2 | STRAIN RELIEF, 1/2 |
| 59 | 98016-093 | 5 | RECEPTACLE, SQ FL, 17-9 |
| 60 | 98001-144 | 2 | JUMPER, 2-WAY |
| 63 | 98001-143 | 1 | BRIDGE, 4 POSITION |
| 64 | 98004-098 | 1 | CIRCUIT BREAKER, 15A |
| 65 | 98003-010 | 1 | PLUG, 3 PIN, 15A |
| 66 | 98004-019 | 1 | FUSE, 0.5 A, 250V |
| 67 | 98004-070 | 5 | FUSE, 1.25A |
| 68 | 18021-165 | 1 | GROUND STRAP ASSY |
| 69 | 98004-096 | 2 | FUSE, 3.15A |
| 70 | 98015-023 | 3 | FINISHING PLUG, 7/8 |
| 71 | 98016-028 | 3 | CONTACT, SOCKET, 16-12 AWG |
| 72 | 98016-027 | 129 | CONTACT, SOCKET, 24-20 AWG |
| 73 | 98020-038 | 1 | POWER RESISTER, 15Ω, 50W |
| 74 | 98016-060 | 4 | CONTACT, SOCKET, 18-14 AWG |
| 75 | 98016-002 | 1 | RECEPTACLE, SQ FL, 17-3 |
| 76 | 98001-073 | 2 | BRIDGE, 2 POSITION |
| 77 | 98001-107 | 4 | TERMINAL BLOCK, DUAL |
| 78 | 98001-108 | 1 | SIDE COVER, TERMINAL BLOCK, DUAL |
| 79 | 98003-024 | 1 | PLUG, MIDGET |
| 83 | 98020-036 | 1 | CAPACITOR, 2200 μF |
| 84 | 98020-037 | 1 | CAP MTG HARDWARE |
| 86 | 98000-121 | 1 | SWITCH, DPDT, ON-ON |
| 87 | 16011-373 | 1 | IEC-320, COVER PLATE |
| 88 | 16008-218 | 1 | BAR, BOARD BLANK, |
| 89 | 98003-049 | OPT | RECEPTACLE, AC, IEC-320 |
| 90 | 98020-107 | 1 | FILTER-RFI, 115/250V, 3A |
| 91 | 99039-069 | 1 | HIGH VOLTAGE DECALS |
| | | | |
| | | | |

NOTE: ITEMS MARKED WITH * ARE ALTERNATE COMPONENTS THAT CANNOT BE USED WITH EXISTING COMPONENTS-NO MIXING PERMITTED.



ASSEMBLY, PRODUCT GUIDE, RH & LH (Fig. 10 OPTIONAL)

| ITEM | PART NO. | QTY. | DESCRIPTION |
|------|--------------------|----------|--|
| | 16020-623r1 | 1 | ASSY, PRODUCT GUIDE, RH (FIG 10A) |
| 1 | 16007-238 | 1 | BLOCK, SIDE GUIDE MTG (LONG) |
| 2 | 12005-009 | 1 | GUIDE, RH SIDE |
| 3 | - | 2 | SCREW, FLAT HD, #8-32 X 1/2 |
| | 16020-624r0 | 1 | ASSY, PRODUCT GUIDE, LH (FIG 10B) |
| 1 | 16007-238 | 1 | BLOCK, SIDE GUIDE MTG (LONG) |
| 2 | 12005-010 | 1 | GUIDE, LH SIDE |
| 3 | - | 2 | SCREW, FLAT HD, #8-32 X 1/2 |
| N/S | 99004-019 | 2 | KNOB, #10-24 MALE |

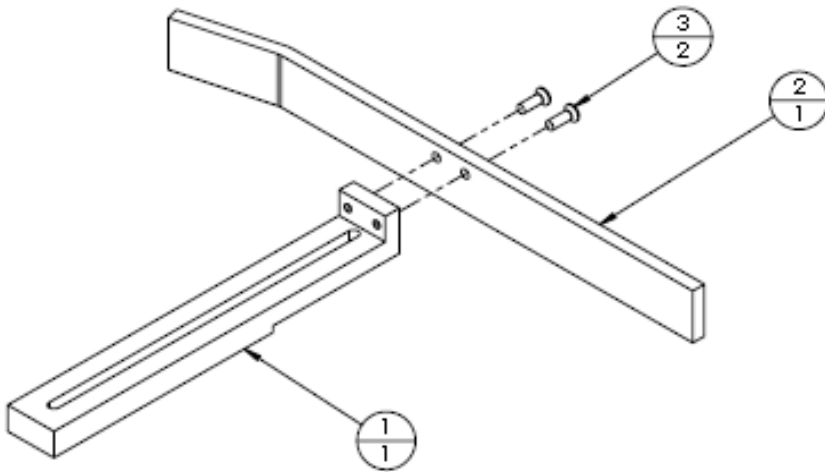


FIG 10A

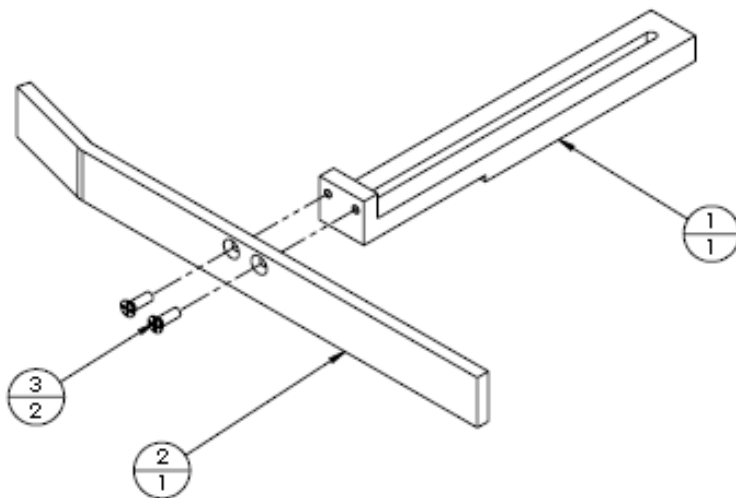
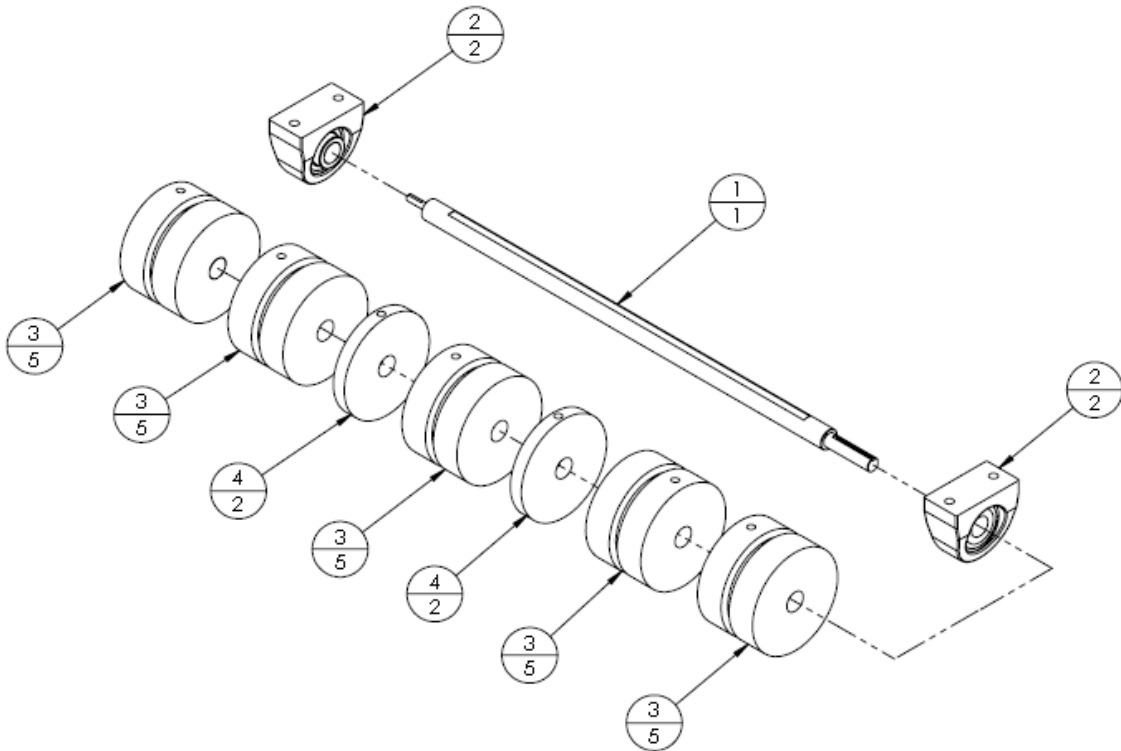


FIG 10B

DRIVE ROLLER ASSY-5 BELT OPTION (Fig. 11)

| ITEM | PART NO. | QTY. | DESCRIPTION |
|------|------------------|----------|---|
| | | | ADD TO FIT BASE |
| | 16020-685 | 2 | ASSY, DRIVE ROLLER-5 BELTS |
| 1 | 16004-230 | 1 EA | SHAFT, DRIVE, ENCODER |
| 2 | 99003-132 | 2 EA | BEARING, PILLOW BLOCK, 3/4B |
| 3 | 16006-175 | 5 EA | PULLEY, DRIVE |
| 4 | 16006-179 | 2 EA | PULLEY, SPACER |
| 5 | - | 5 EA | SET SCREW, CUP, 1/4-20 X 1/4 (ITEMS 3 &4) |
| | 16014-055 | 2 | BELT, TRANSPORT, 2" W X 148.56"L |
| | 16013-337 | 1 | COVER, DISCHARGE, WIDE |
| | 16013-346 | 1 | COVER, INFEED, WIDE |
| | | | DELETE FROM FIT BASE |
| | 16020-625 | 1 | ASSY, DRIVE ROLLER W/ O-RING |
| | 16020-626 | 1 | ASSY, DRIVE ROLLER |
| | 16013-299 | 1 | COVER, DRIVE, DISCHARGE |
| | 16013-308 | 1 | COVER, DRIVE, INFEED |



DRIVE ROLLER ASSY-14.5" BELT OPTION (Fig. 12)

| ITEM | PART NO. | QTY. | DESCRIPTION |
|------|------------------|----------|---|
| | | | ADD TO FIT BASE |
| | 16020-684 | 2 | ASSY, DRIVE ROLLER-14.5" BELT |
| 1 | 16004-230 | 1 EA | SHAFT, DRIVE, ENCODER |
| 2 | 99003-132 | 2 EA | BEARING, PILLOW BLOCK, 3/4B |
| 3 | 16006-175 | 1 EA | PULLEY, DRIVE |
| 4 | 16006-183 | 2 EA | PULLEY, FLAT, 3-7/8" OD |
| 5 | - | 5 EA | SET SCREW, CUP, 1/4-20 X 1/4 (ITEMS 3 &4) |
| | 16014-056 | 1 | BELT, VACUUM, 14.50" W X 148.56"L |
| | 16013-295 | 2 | COVER, DRIVE PULLEY |
| | | | DELETE FROM FIT BASE |
| | 16020-625 | 1 | ASSY, DRIVE ROLLER W/ O-RING |
| | 16020-626 | 1 | ASSY, DRIVE ROLLER |
| | 16014-054 | 1 | BELT SET, TRANSPORT, 2" W X 148.56"L |
| | 16013-299 | 1 | COVER, DRIVE, DISCHARGE |
| | 16013-308 | 1 | COVER, DRIVE, INFEED |

