

PITNEY BOWES
Sure-Feed Engineering

SURE JET

MODEL SJVB - TUV

Parts Manual



SURE-FEED ENGINEERING

12050 49th STREET NORTH - CLEARWATER, FL. 33762-4301
PHONE: 727.571.3330 - FAX: 727.571.3443 - TOLL FREE: 1.800.INSERTER
web: sure-feed.com

TABLE OF CONTENTS

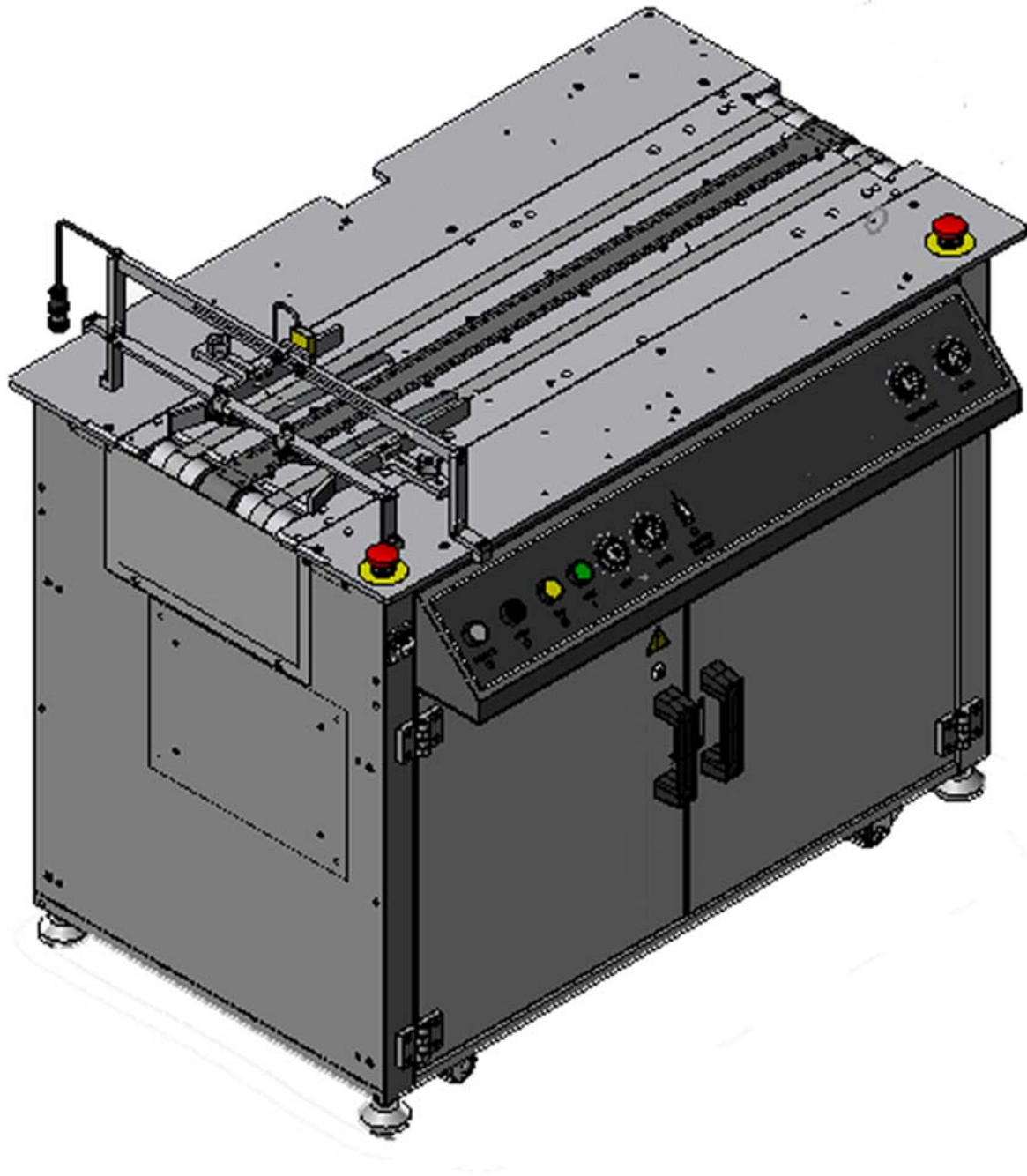
SURE JET- SJVB-TUV

<u>SURE JET VACUUM BASE ASSEMBLY</u> (FIG. 1).....	5
FRAME ASSEMBLY (FIG. 2).....	7
CONVEYOR DRIVE ASSEMBLY (FIG. 3).....	9
IDLER PULLEY TENSIONER ASSEMBLY (FIG. 4)	11
DRIVE MOTOR ASSEMBLY (FIG. 5)	13
BELT GUIDE ASSEMBLY (FIG. 6).....	15
DRAG STRIP ASSY (FIG. 7).....	16
VACUUM ASSEMBLY (FIG. 8).....	18
ELECTRICAL ENCLOSURE ASSEMBLY (FIG. 9).....	20
CONTROL CONSOLE ASSEMBLY (FIG. 10).....	23
ELECTRICAL BASE ASSEMBLY (FIG. 11A &B).....	25
J BOX ASSEMBLY (FIG. 12)	28
PLUG RECEPTACLE (FIG. 13)	30
CABLE ASSEMBLY (FIG. 14)	31

<u>PRINT BRIDGE ASSEMBLY</u>	
---	--

SURE JET VACUUM BASE

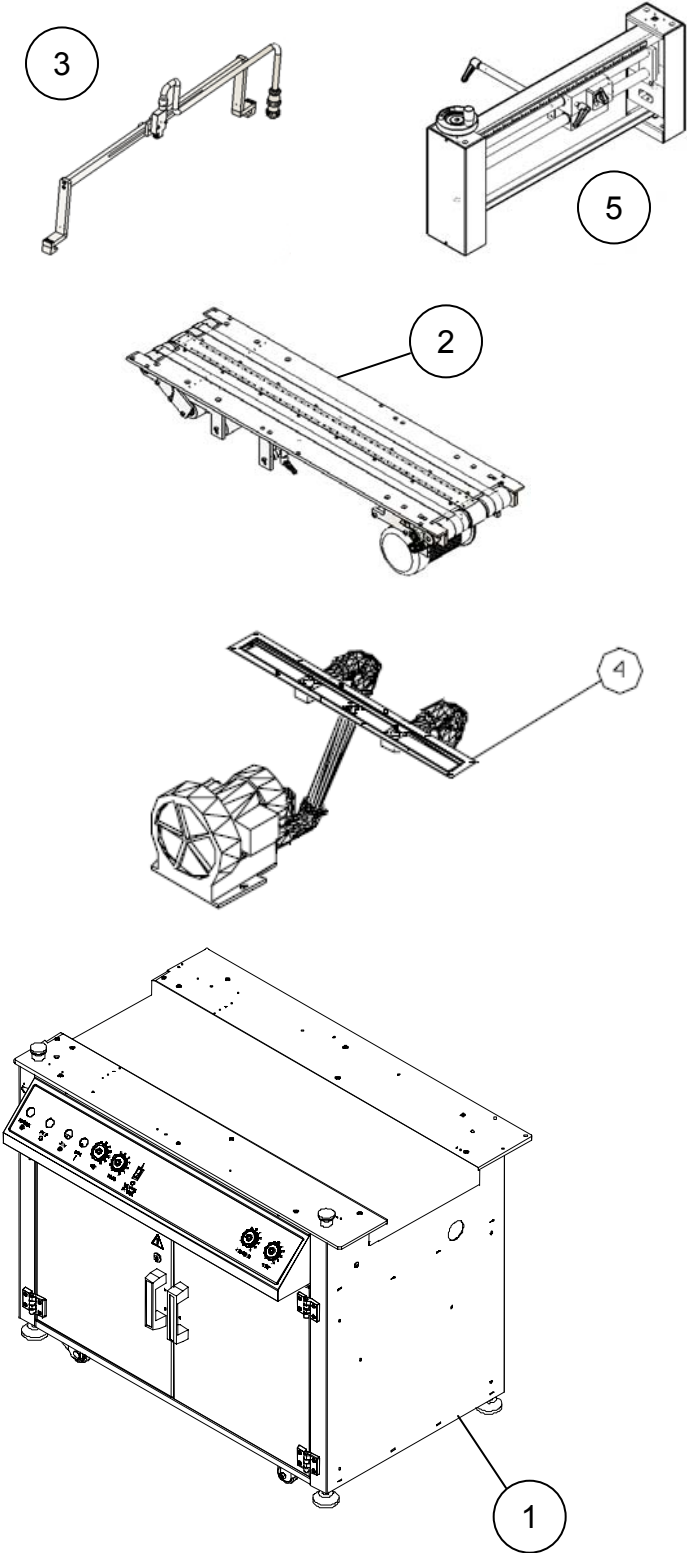
MODEL SJVB



PITNEY BOWES*Sure-Feed Engineering***SURE JET VACUUM BASE ASSEMBLY (Fig. 1)**

ITEM	PART NO.	QTY.	DESCRIPTION
1	16020-292	1	FRAME ASSEMBLY (SEE FIG. 2)
2	16020-178	1	CONVEYOR ASSEMBLY (SEE FIG. 3 TO 6)
3	16020-293	1	ADJUSTABLE SENS'R ASSEMBLY (SEE FIG 3)
4	16020-179	1	VACUUM ASSEMBLY (SEE FIG. 8)
5	16020-091	1	PRINT BRIDGE ASSEMBLY (SEE FIG.)

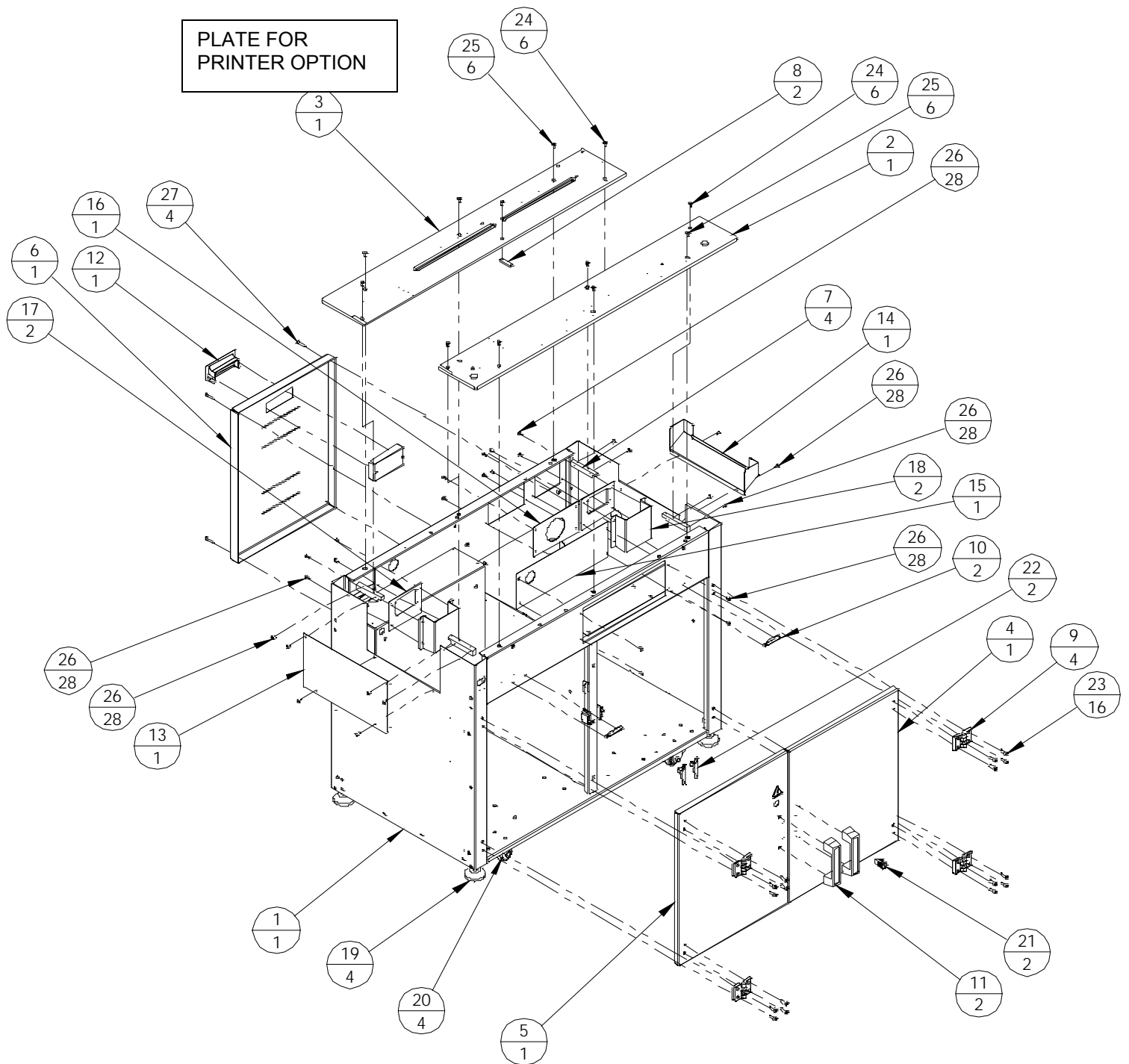
FIG. 1



**SURE JET VACUUM BASE (Fig. 2)
 FRAME ASSEMBLY 16020-292**

ITEM	PART NO.	QTY	DESCRIPTION
REF	16020-605	1	ASSEMBLY, FRAME INKJET BASE
1	16000-035	1	MAIN FRAME, INKJET BASE
2	16011-023	1	PLATE, INKJET TOP (RH)
3	16011-127	1	PLATE, TOP, BACK
OPT	16011-061	1	PLATE, INKJET TOP (FOR PRINT BRIDGE) <i>SHOWN</i>
4	16013-005	1	DOOR, FRONT, RH (INKJET)
5	16013-006	1	DOOR, FRONT, LH (INKJET)
6	16013-080	1	DOOR, REAR
7	16007-003	4	BLOCK, TOP PLATE SUPPORT
8	16007-082	2	BLOCK, SPLICE STRAP
9	99011-002	4	HINGE, DOOR
10	16013-013	2	HINGE, ELECTRICAL CONTROL CONSOLE
11	99012-001	2	DOOR HANDLE
12	99012-004	1	HANDLE, POCKET PULL
13	16013-009	1	COVER, END
14	16013-062	1	COVER, DRIVE
15	16013-046	1	COVER, INSIDE, INKJET PANEL
16	16011-256	1	PLATE, COVER
17	16011-142	2	PLATE, PLUG MTG
18	16013-036	2	COVER, WIRE
19	99010-001	4	FOOT, ADJUSTABLE, 5/8-11
20	99010-002	4	CASTER, 2"
21	99039-123	2	LATCH, CABINET
22	99013-001	2	LATCH, DOOR
23	-	16	BOLT, SKT HD, 1/4-20 X 3/4
24	-	6	SCREW, FLAT HD, #10-24 X 5/8
25	-	6	SCREW, FLAT HD, #10-32 X 1/2
26	-	28	SCREW, BUTTON HD, #10-24 X 3/8
27	-	4	SCREW, BUTTON HD, #10-24 X 1-1/4
	-	4	BOLT, SKT HD, 1/4-20 x 1/2

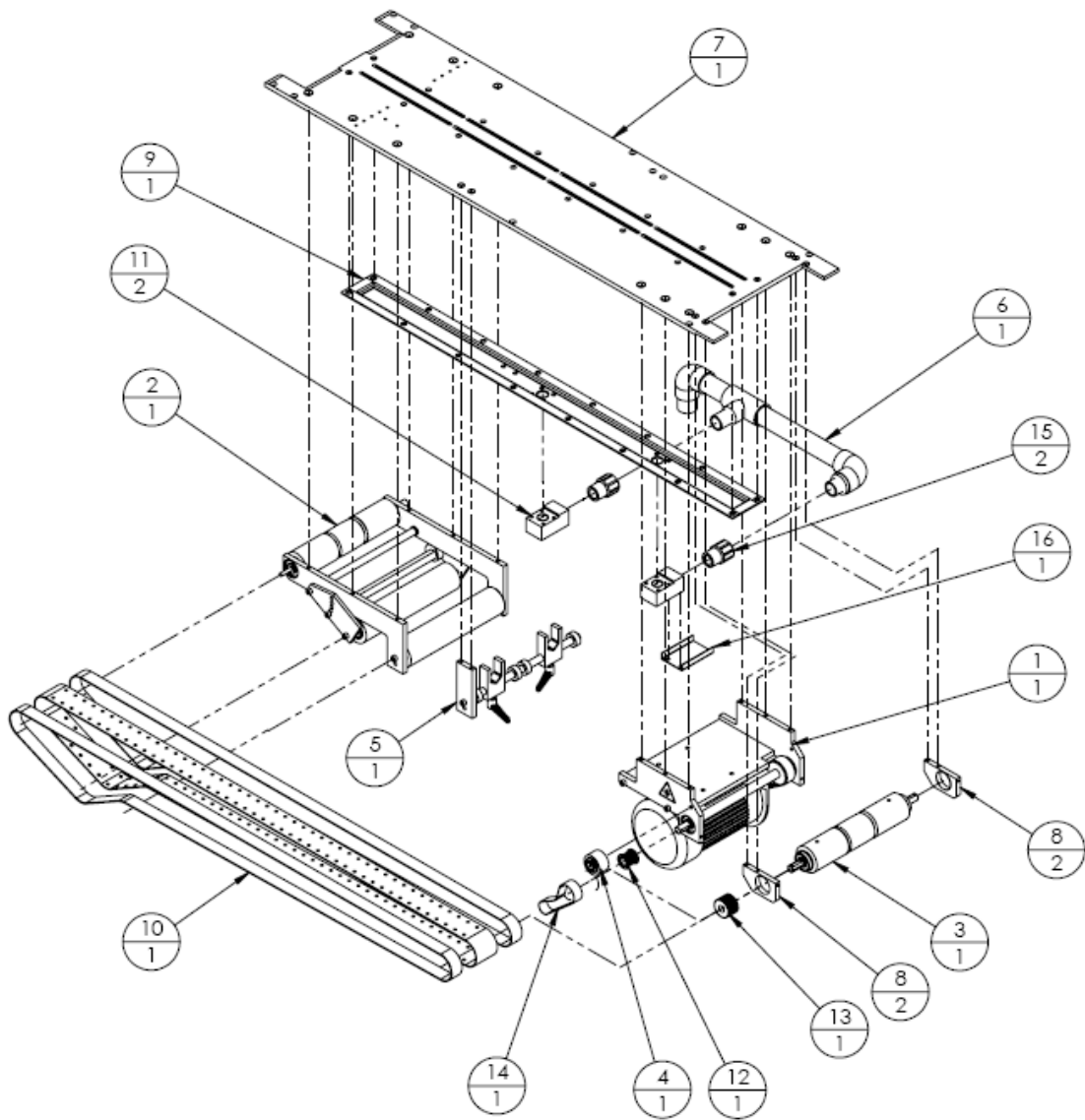
FIG. 2



**SURE JET VACUUM BASE (Fig. 3)
 CONVEYOR DRIVE ASSEMBLY 16020-178rA**

ITEM	PART NO.	QTY	DESCRIPTION
1	16020-063	1	ASSEMBLY, MOTOR DRIVE (REF FIG. 4)
2	16020-449	1	ASSEMBLY, IDLER PULLEY TENSIONER (REF FIG. 5)
3	16020-054	1	ASSY, DRIVE PULLEY
4	16020-092	1	ASSY, BELT TENSIONER
5	16020-062	1	ASSY, BELT GUIDE (REF FIG.)
6	16020-475	1	ASSY, PVC, MANIFOLD
7	16011-062	1	PLATE, INKJET TOP, CENTER
8	16007-056	2	BLOCK, BEARING, 5/8
9	16013-055	1	VACUUM CHAMBER
10	16014-005	1 SET	BELT, SEAMLESS INKJET
11	16007-053	2	BLOCK, ADAPTER, VACUUM CHAMBER
12	16006-005	1	PULLEY, 14XL075 1/2 B W/FLANGE
13	16006-006	1	PULLEY, 22XL075 1/2 B
14	99000-060	1	BELT, TIMING, 100XL075
15	99028-055	2	ADAPTER, MALE, 3/4" NPT X 3/4"
16	16009-147	1	BRACKET, FERRITE GUIDE

FIG. 3



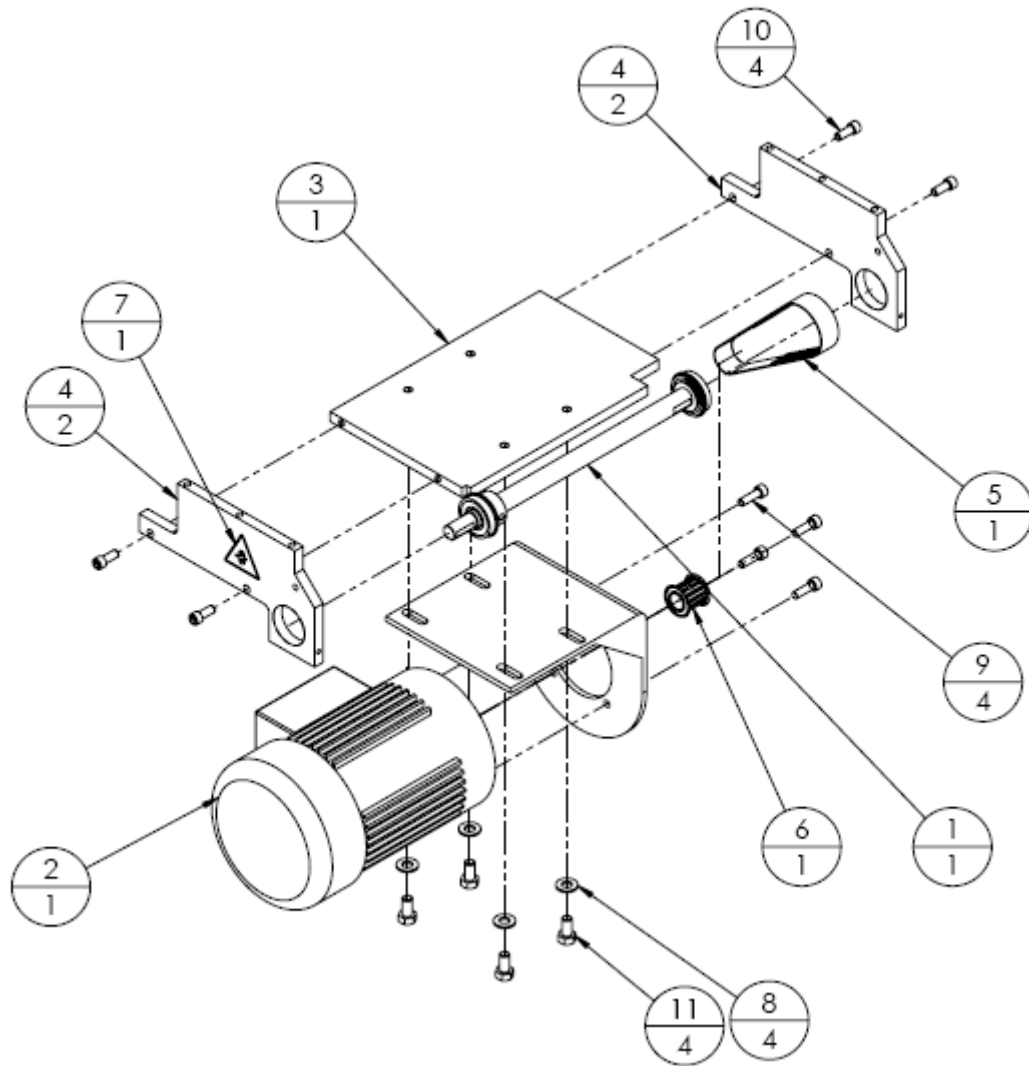
SURE JET VACUUM BASE – CONVEYOR DRIVE (Fig. 4)

REF: 16020-178

MOTOR DRIVE ASSEMBLY 16020-063

ITEM	PART NO	QTY	DESCRIPTION
1	16020-055	1	ASSY, INTERMEDIATE DRIVE SHAFT
1a	16004-010	1	SHAFT, INTERMEDIATE
1b	99003-051	2	BEARING, 5/8" ID
1c	99036-021	2	SHIM, STEEL, 5/8 X 1/16
1d	16006-007	1	PULLEY, 28XL075 5/8 B
1e	99017-005	1	COLLAR, SHAFT, 5/8
2	16021-004	1	ASSY, MOTOR
2a	99001-042	1	MOTOR, 1/2 HP, 1700 RPM, 230/460 3-PHASE
2b	16021-036	1	CABLE ASSEMBLY (NOT SHOWN)
-	98010-034	3 ft	CABLE, MOTOR, 14/4 (NOT SHOWN)
-	98016-013	1	PLUG, AMP, SERIES 3, 23-7 (NOT SHOWN)
-	98016-014	1	BACKSHELL, PLASTIC, SIZE 23 (NOT SHOWN)
-	98016-026	4	CONTACT, PIN, 16-12 AWG (NOT SHOWN)
-	98016-221	4	TERMINAL RING, #8, 14-16 AWG
3	16011-008	1	PLATE, MOTOR MTG.
4	16011-071	2	PLATE, MOTOR MTG SUPPORT
5	99000-059	1	BELT, TIMING, 130XL075
6	16006-109	1	PULLEY, TIMING, 14XL075, 14 MM BORE
7	99039-071	1	LABEL, PINCH POINT

FIG. 4



**SURE JET VACUUM BASE – CONVEYOR DRIVE (Fig. 5)
 REF:16020-178**

IDLER PULLEY TENSIONER ASSEMBLY 16020-449

ITEM	PART NO	QTY	DESCRIPTION
1	16020-059	2	ASSY, IDLER PULLEY, FIXED
1a	16006-002	1ea	PULLEY, IDLER 10" FLAT
1b	99003-007	2ea	BEARING, 1/2" ID X 1-1/8" OD
2	16020-065	1	ASSY, IDLER PULLEY (W / ENCODER) SEE FIG 5A
2-1	16006-020	1	PULLEY, DRIVE
2-2	16004-027	1	SHAFT, STUB IDLE
2-3	99036-021	2	SHIM, STEEL, 5/8 X .062
2-4	99003-051	2	BEARING, 5/8" OD
2-5	16004-029	1	SHAFT, STUB IDLE W/ STEP
3	16004-044	1	SHAFT, ECCENTRIC MOUNTING
4	16004-045	2	SHAFT, IDLER
5	16004-046	1	SHAFT, IDLER
6	16007-052	2	BLOCK, BEARING MOUNTING
7	16008-021	2	BAR, IDLER TENSIONER
8	16006-028	2	ROLLER, ECCENTRIC
9	99022-004	4	SNAP RING, 1/2"
10	99003-043	2	BUSHING, FL, 1/2 X 5/8 X 1/2
11	99036-004	3	SHIM, BEARING, 1/2 X 3/4 X 0.02
12	-	8	BOLT, SKT HD, 1/4-20 X 5/8

FIG. 5

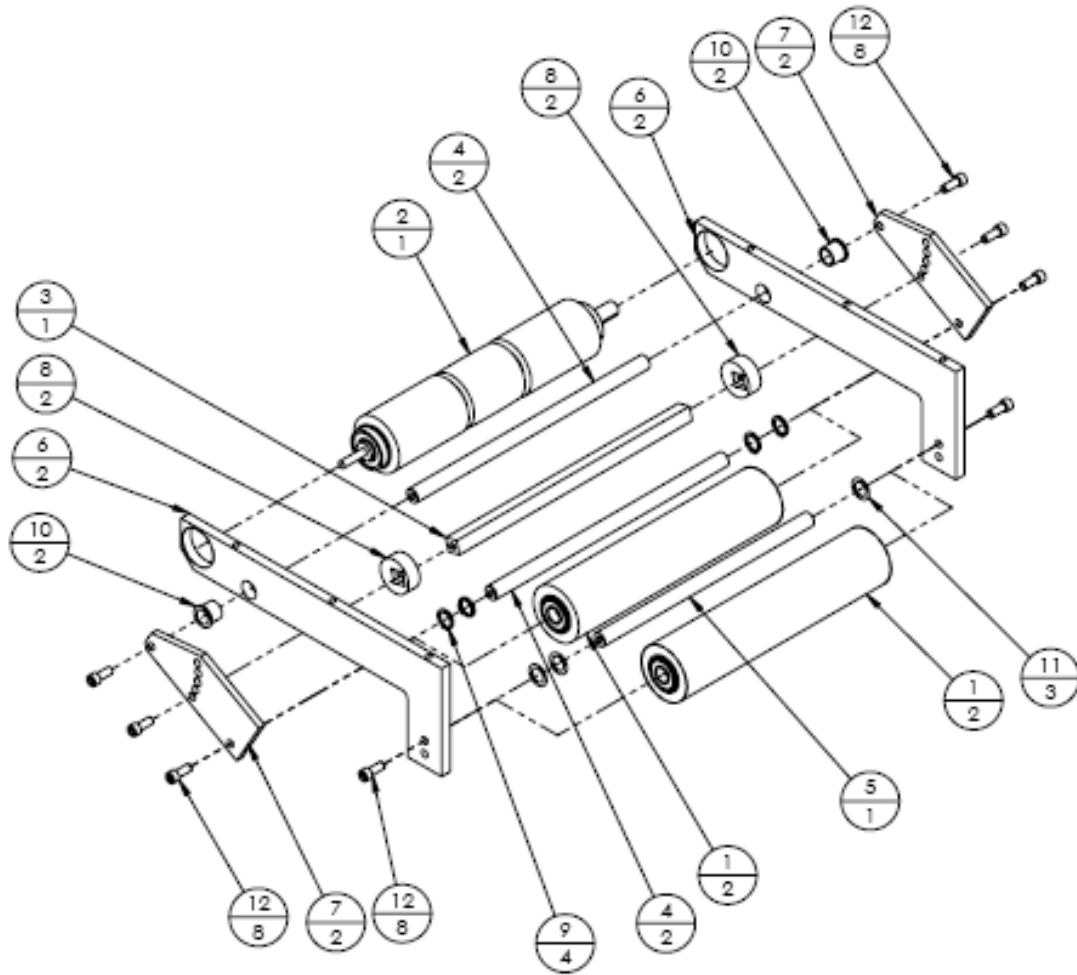
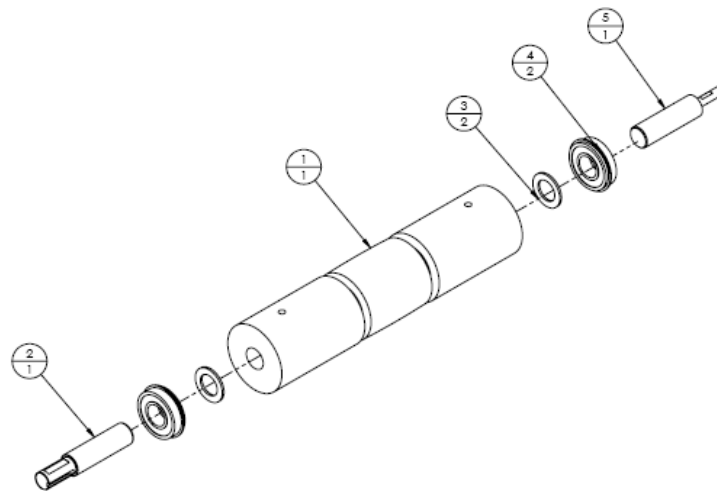


FIG. 5A



SURE JET VACUUM BASE – CONVEYOR DRIVE (Fig. 6)
REF: 16020-178
ASSEMBLIES 16020- 054 / - 092

ITEM	PART NO	QTY	DESCRIPTION
A	16020-054	1	ASSY, DRIVE PULLEY (INK JET BASE)
1	16006-020	1	PULLEY, DRIVE
2	16004-027	2	SHAFT, STUB DRIVE
3	99036-021	2	SHIM, STEEL, 5/8 X 1/16
4	99003-051	2	BEARING, 5/8" ID
B	16020-092	1	ASSY, TENSIONER INKJET
1	16004-037	1	SHAFT, TENSIONER
2	16006-026	1	PULLEY, IDLER 1" W
3	99003-018	1	WASHER, NYLON, 1/2" X 1/16
4	99003-032	1	WASHER, NYLON, 1/2" X 1/32
5	99022-004	1	SNAP RING, 1/2"
6	99003-003	2	BEARING, 1/2" ID X 1-1/8" OD

FIG 6A

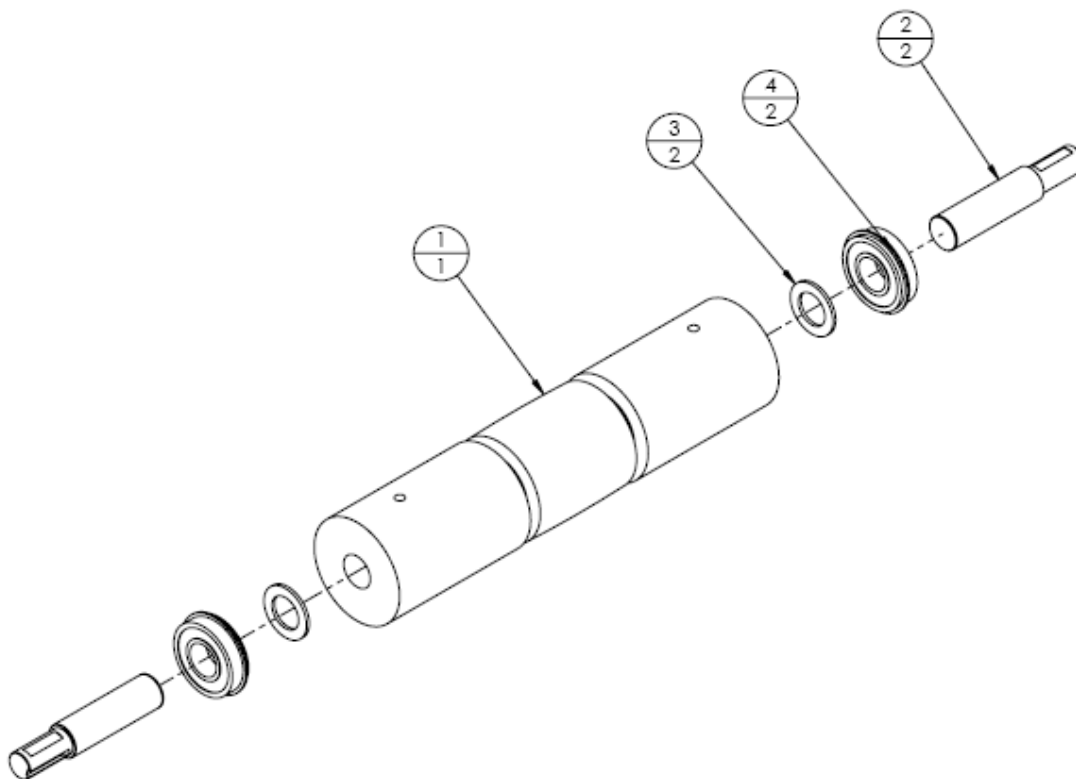
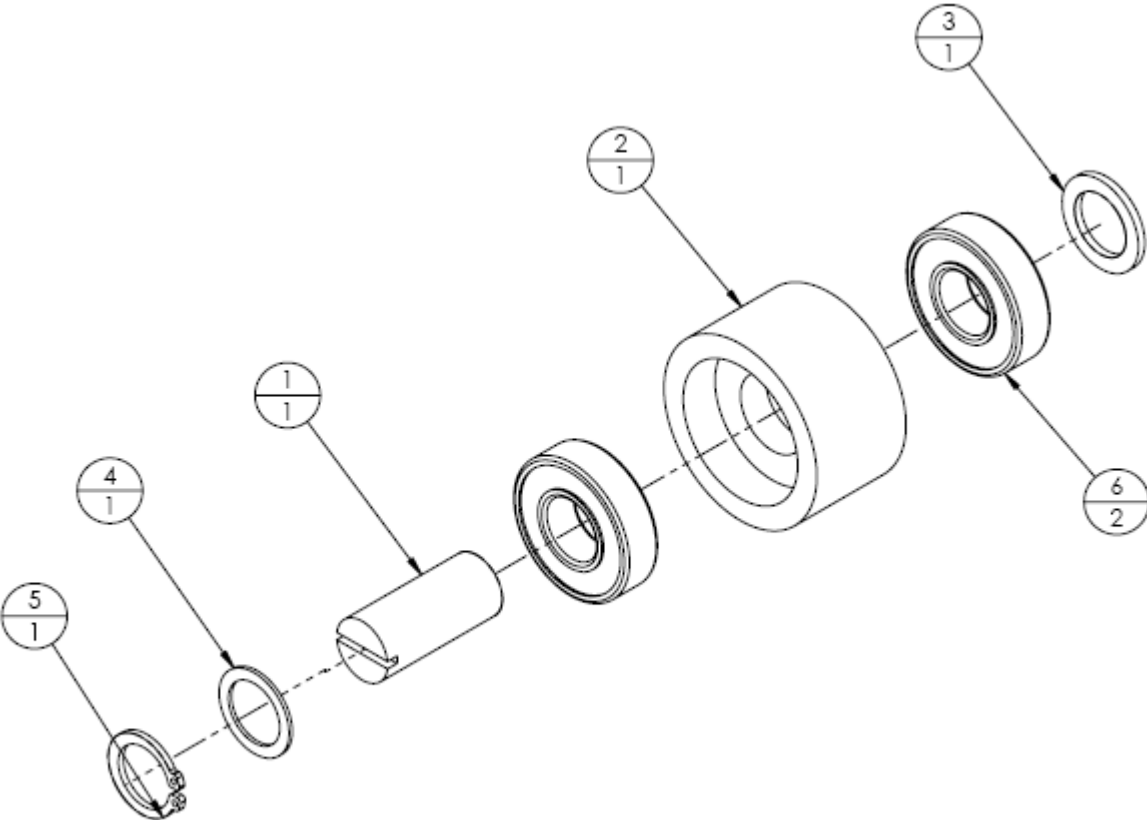


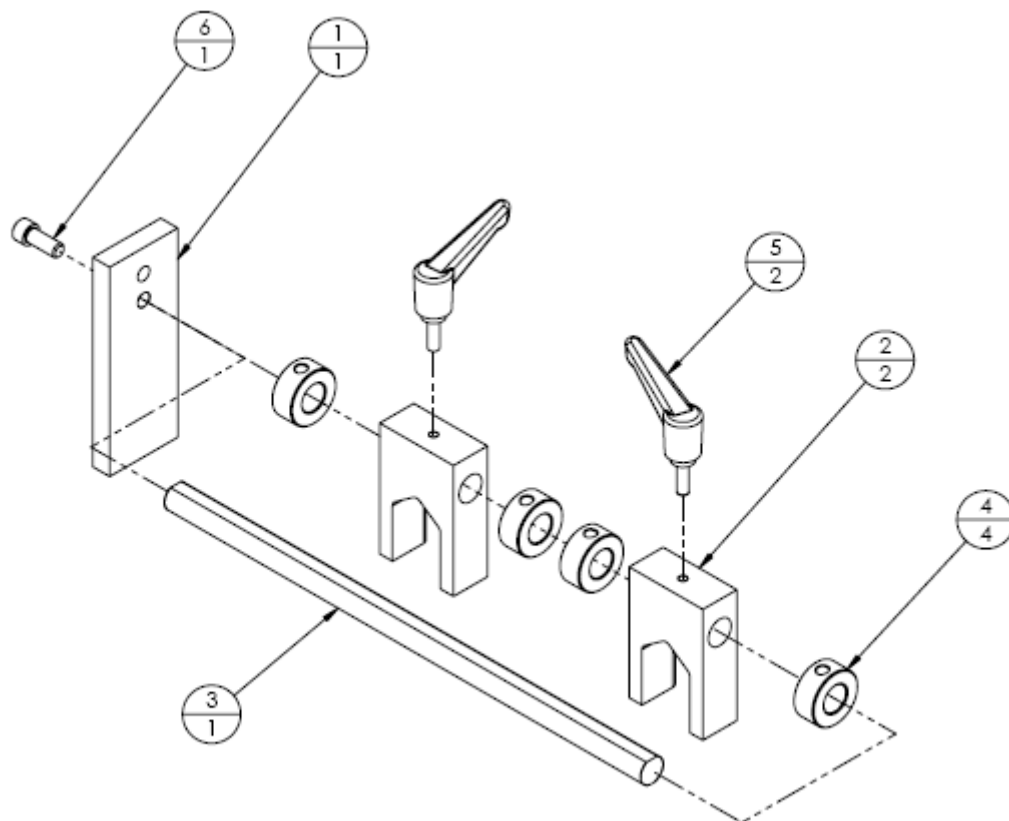
FIG. 6B



SURE JET VACUUM BASE – CONVEYOR DRIVE (Fig 7)
REF: 16020-178
BELT GUIDE ASSEMBLY 16020-062

ITEM	PART NO	QTY	DESCRIPTION
1	16009-002	1	BRACKET, BELT GUIDE SUPPORT
2	16005-003	2	GUIDE, BELT , 1"
3	16004-011	1	SHAFT, BELT GUIDE SUPPORT
4	99017-004	4	COLLAR, SHAFT, 1/2"
5	99004-003	2	HANDLE, RATCHET
6	-	1	BOLT, SKT HD, 1/4-20 X 5/8

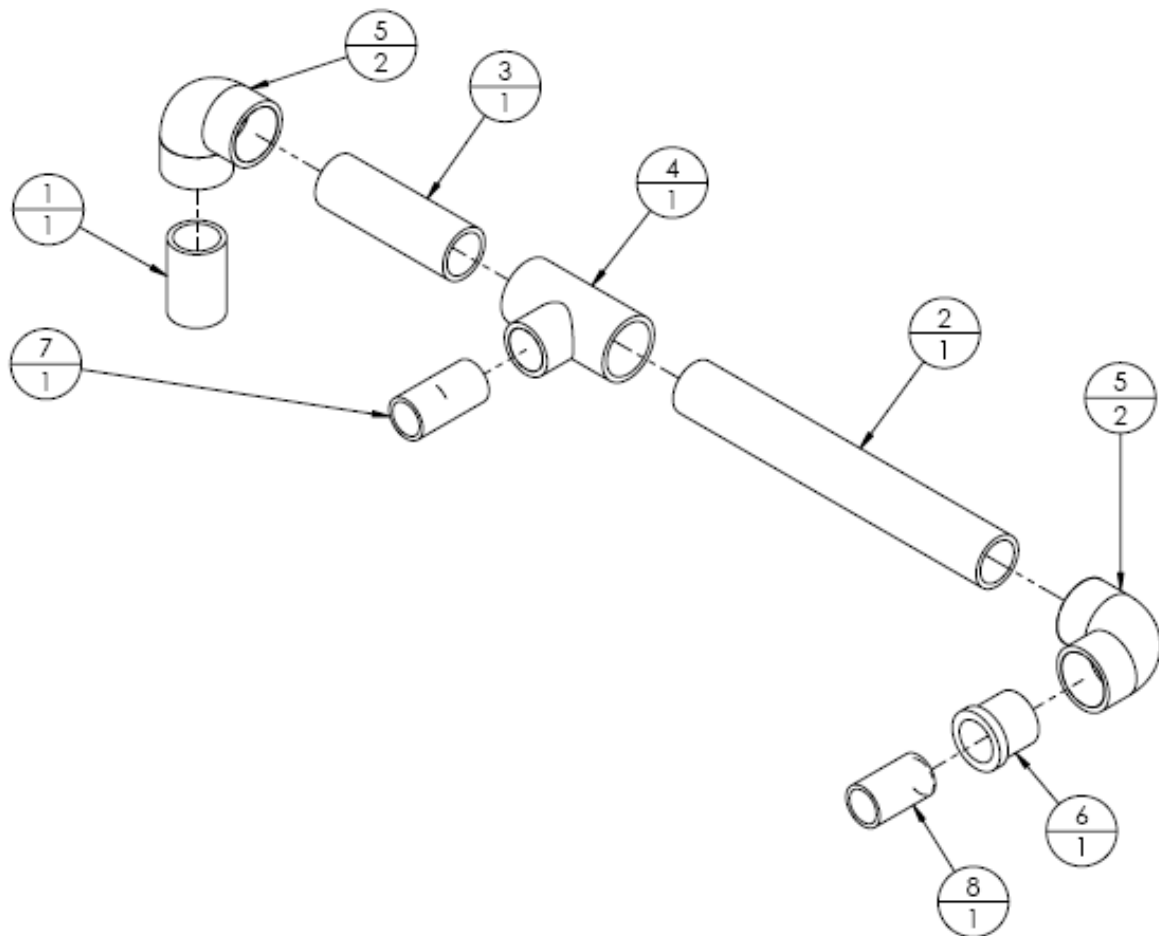
FIG. 7



**SURE JET VACUUM BASE (Fig. 8)
 MANIFOLD PVC ASSEMBLY 16020-475**

ITEM	PART NO	QTY	DESCRIPTION
1	16018-001	1	PIPE, PVC, 1" X 2.00"
2	16018-021	1	PIPE, PVC, 1" X 9.50"
3	16018-030	1	PIPE, PVC, 1" X 4.00"
4	99028-052	1	TEE, REDUCING, 1" X 3/4" PVC
5	99028-050	2	ELBOW, 90 DEG, 1", PVC
6	99028-053	1	REDUCER, 1" TO 3/4" SLIP, PVC
7	16018-015	1	PIPE, PVC, 3/4" X 2.07"
8	16018-027	1	PIPE, PVC, 3/4" X 1.735"

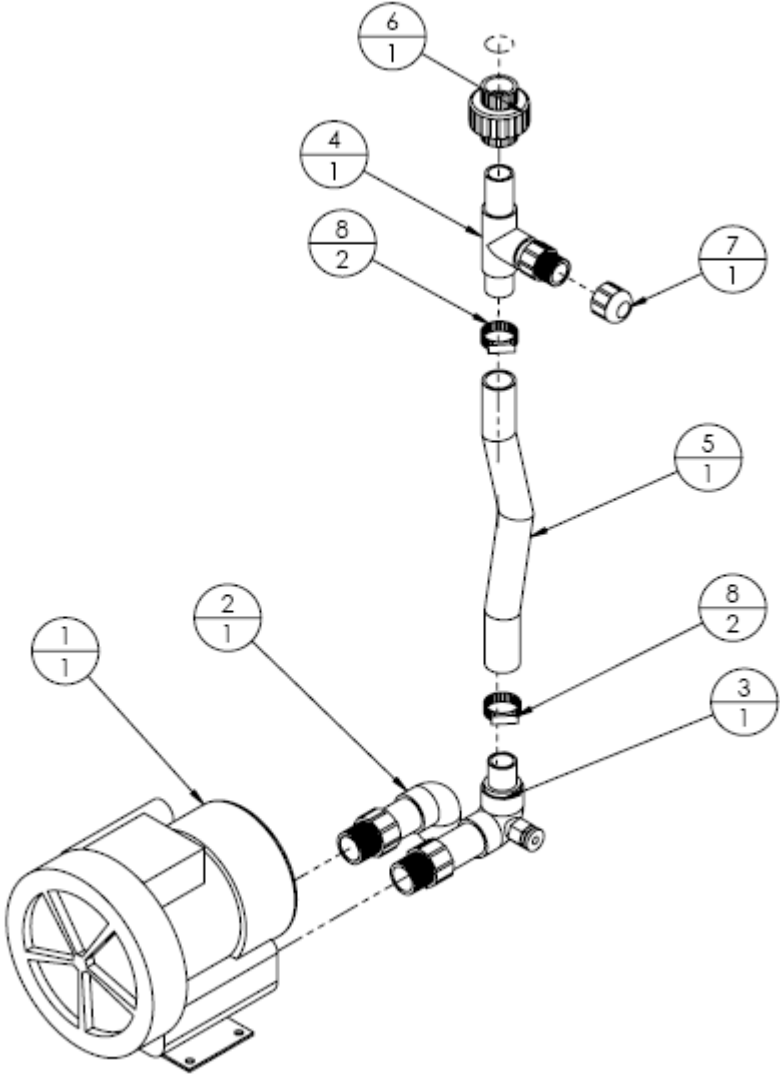
FIG. 8



SURE JET VACUUM BASE (Fig. 9)
VACUUM COMPONENTS ASSEMBLY 16020-179

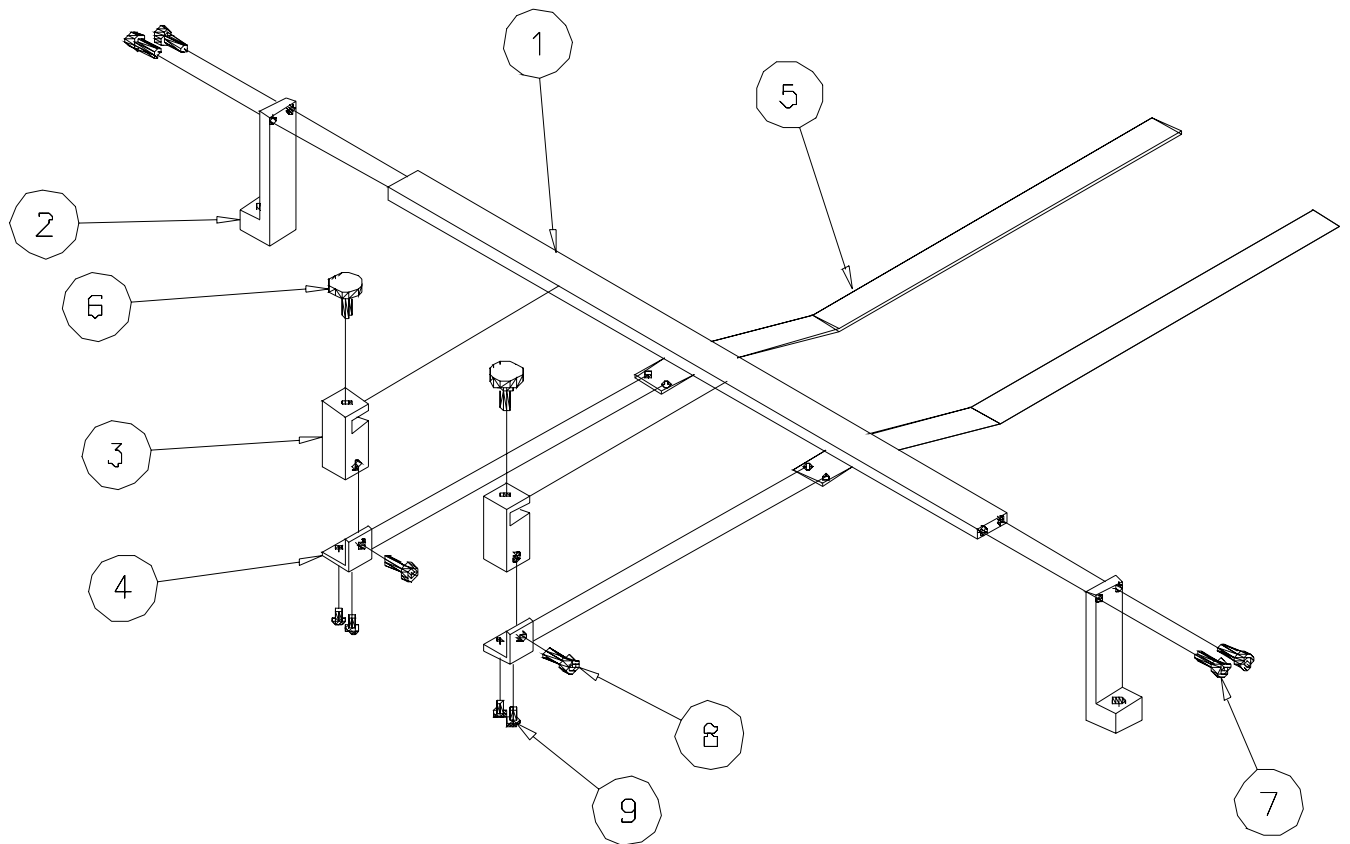
ITEM	PART NO	QTY	DESCRIPTION
1	16021-008	1	ASSEMBLY, BLOWER, 80 CFM
a	99029-007	1	BLOWER, VACUUM BUSCH#SB0080 DOHT.UBXX
b	98010-182	7 FT	CABLE, 16/3 HAR
c	98015-001	1	STRAIN RELIEF, 1/2
d	98016-221	2	TERMINAL RING, #8, 14-16 AWG
e	98016-004	1	PLUG, REVERSE, SERIES 3, 17-3
f	98016-005	1	BACKSHELL, PLASTIC SIZE 17
g	98016-026	2	CONTACT, PIN, 16-12 AWG
h	98016-237	1	PIN, EXTENDED, 16-12 AWG GOLD
2	16020-469	1	ASSY, VACUUM PUMP EXHAUST PVC
a	99028-105	1	ADAPTER, MALE, 1-1/4 NPT X 1-1/4 SLIP, PVC
b	16018-026	1	PIPE, PVC, 1-1/4" X 4"
c	99028-106	1	ELBOW, 90 DEG, 1-1/4 SLIP, PVC
3	16020-478	1	ASSY, VACUUM PUMP INTAKE PVC
a	99028-105	1	ADAPTER, MALE, 1-1/4 NPT X 1-1/4 SLIP, PVC
b	16018-026	1	PIPE, PVC, 1-1/4" X 4"
c	99028-039	1	ELBOW, 90 DEG, 1-1/4 SLIP, PVC
d	99028-108	1	REDUCER, 1-1/4 TO 1" SLIP, PVC
e	16018-003	1	PIPE, PVC, 1" X 2.25"
f	99025-024	1	VALVE, VACUUM RELIEF
4	16020-476	1	ASSY, PVC, ADAPTER TEE
a	16018-003	2	PIPE, PVC, 1" X 2.25"
b	16018-007	1	PIPE, PVC, 1" X 3.038"
c	99028-112	1	TEE, 1" PVC
d	99028-047	1	ADAPTER, MALE, 1" NPT X 1" SLIP, PVC
5	99031-020	2 FT	HOSE, 1" ID
6	99028-049	1	UNION, PVC 1"
7	99028-079	1	CAP, END, 1" NPT, PVC
8	90017-042	2	HOSE, CLAMP, SS, 2"

FIG. 9



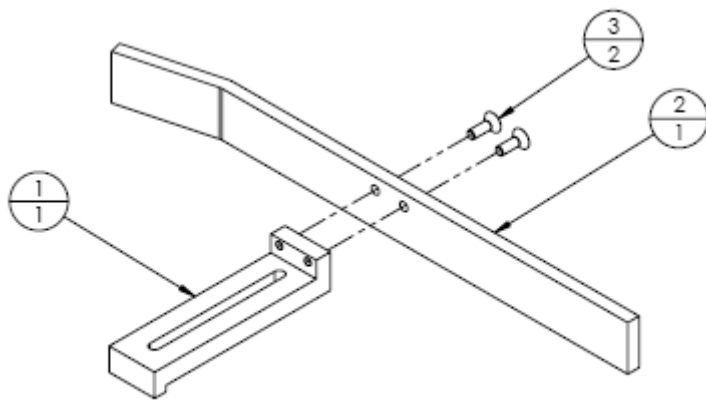
**SURE JET VACUUM BASE (Fig. 10)
 HOLD DOWN ASSEMBLY 16020-103**

ITEM	P/N	QTY	DESCRIPTION
REF	16020-013	1	ASSEMBLY, DRAG STRAP MTG BAR (INKJET BASE)
1	16008-007	1	BAR, DRAG STRAP MOUNTING
2	16009-008	2	BRACKET, DRAG STRAP SUPPORT
7	-	4	SCREW, SKT.HD, 8-32 X 1/2 LG
REF	16020-230	2	ASSEMBLY, DRAG STRAP
3	18009-014	1 EA	BRACKET, DRAG STRAP MOUNTING
4	18009-029	1 EA	BRACKET, DRAG STRAP PIVOT
5	18005-105	1 EA	GUIDE, SPRING STEEL
6	10020-317	1 EA	ASSY, KNOB #10-24 X 1/2LG
8		1 EA	SCREW, SKT.HD, 10-24 X 3/8LG
9		2 EA	SCREW, PAN HD, 6-32 X 3/8LG

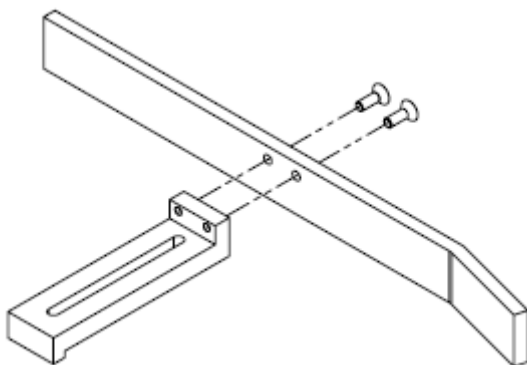


**SURE JET VACUUM BASE (Fig. 11)
 PRODUCT GUIDE ASSEMBLIES**

ITEM	PART NO	QTY	DESCRIPTION
REF	16020-528	1	ASSY, PRODUCT GUIDE, RH
1	12005-009	1	GUIDE, SIDE, RH
2	16007-016	1	BLOCK, SIDE GUIDE MTG (LONG)
	-	2	SCREW, FLAT HD, #8-32 X 1/2
REF	16020-529	1	ASSY, PRODUCT GUIDE, LH
1	12005-010	1	GUIDE, SIDE, LH
2	16007-016	1	BLOCK, SIDE GUIDE MTG (LONG)
	-	2	SCREW, FLAT HD, #8-32 X 1/2



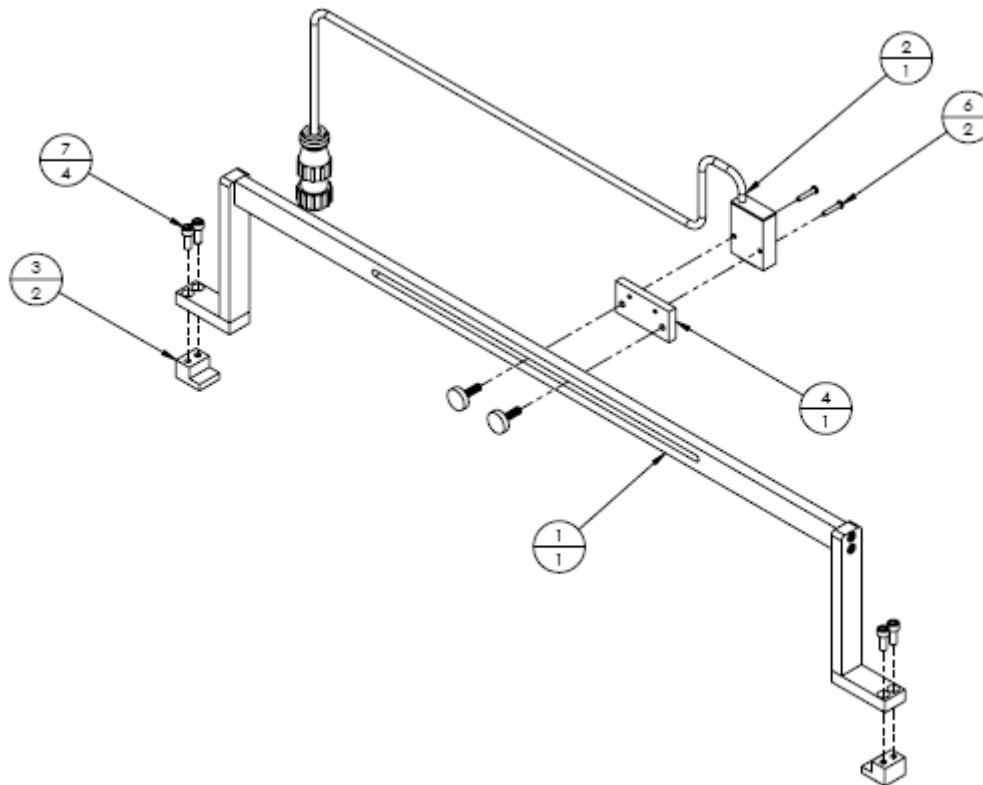
RIGHT HAND



LEFT HAND

**SURE JET VACUUM BASE (Fig. 12)
 ADJUSTABLE SENSOR ASSEMBLY 16020-305**

ITEM	PART NO	QTY	DESCRIPTION
1	16020-044	1	ASSY, BAR, ADJUSTABLE SENSOR
a	16007-034	2	BLOCK, SENSOR SUPPORT
b	16007-035	2	BLOCK, SENSOR CLAMP
c	16008-022	1	BAR, SENSOR MTG
2	16021-029	1	ASSY, MINI BEAM SENSOR
a	98009-027	1	SENSOR, BANNER MINI BEAM
b	98016-029	1	PLUG, AMP, SERIES 1, 11-4
c	98016-015	1	BACKSHELL, PLASTIC, SIZE 11
d	98016-114	4	CONTACT, PIN, 26-24 AWG
3	16007-033	2	BLOCK, CLAMP
4	16011-016	1	PLATE, SENSOR MTG
5	10020-429	2	ASSY, KNOB, #10-24 X 5/8
6	-	2	SBHCS, 4-40 X 5/8
7	-	4	SHCS, #10-24 X 1/2



**SURE JET VACUUM BASE (Fig. 13)
 ELECTRICAL ENCLOSURE ASSEMBLY**

ITEM	PART NO	QTY	DESCRIPTION
REF	16020-510	1	ASSEMBLY, ELECTRICAL ENCLOSURE
a	98003-016	1	QUADBLOC, TYPE 4752.4200
b	98015-037	7	GROMMET, RUBBER, 7/8"
c	98015-038	3	GROMMET, RUBBER, 1-1/16
d	16011-045	1	PLATE, PLUG MTG
e	98019-068	2	STRAIGHT PRESSURE TONGUE, GROUND
REF	16021-051	1	ASSY, CABLE, MOTOR POWER INLET
a	98016-009	1	RECEPTACLE, SQ FLG, AMP, 23-7
b	98016-028	4	CONTACT, SOCKET, 16-12 AWG
c	98010-034	4 FT	CABLE, MOTOR, 14/4 COND
REF	16021-009	1	ASSEMBLY, BACK PANEL, MAIN ENCLOSURE
1	16013-044	1	BACKPLATE, MAIN ENCLOSURE
2	98004-047	4	4A SLO-BLO FUSE (FU 1A,B; 2A,B)
3	98004-023	6	FUSE, 2 A, 250V 5X20MM GDC (FU 3A,B;4A,B;6A,B)
4	98004-017	1	FUSE, 1 AMP, 250V, 5X20MM GMC (FU 7)
5	98004-038	1	CIRCUIT BREAKER, 8A, 2 POLE
6	98004-050	1	CIRCUIT BREAKER, 8 A
7	98001-060	43	TERMINAL BLOCK, SPRING
8	98002-005	3	RELAY SOCKET, DPDT
9	98002-007	3	RELAY, DPDT, 24VDC
10	98002-012	4	RELAY SOCKET, 5 PIN
11	98002-022	1	RELAY, SPST, 120 VAC (or 98002-015 for 24VDC) CR2
12	98002-011	3	RELAY, SPDT, 24VDC
13	98002-032	1	CONTROL RELAY, 24VAC
14	98005-007	2	MOTOR CONTROLLER, 90VDC
15	98006-024	2	POWER RESISTOR, 0.1 Ω (MOTOR CONTROLLER)
16	98001-022	3 FT	DIN RAIL
17	98012-008	8 FT	DUCT, WIREWAY, 1" X 3"
18	98012-002	8 FT	DUCT COVER, 1"
19	98013-068	2	FR-S520E-0.75K-NA, INVERTER
20	98004-006	2	FUSE, 6A, 225V 5X20MM (FU 5A,B)
21	98001-073	11	BRIDGE, 2 POSITION
22	98010-034	7 FT	MOTOR CABLE, 14/4
23	98001-089	4	TERMINAL, DOUBLE LAYER (STTB 2,5)
24	98001-093	2	TERMINAL, DOUBLE LAYER, SHORTED
25	98001-072	4	END STOP TERMINAL

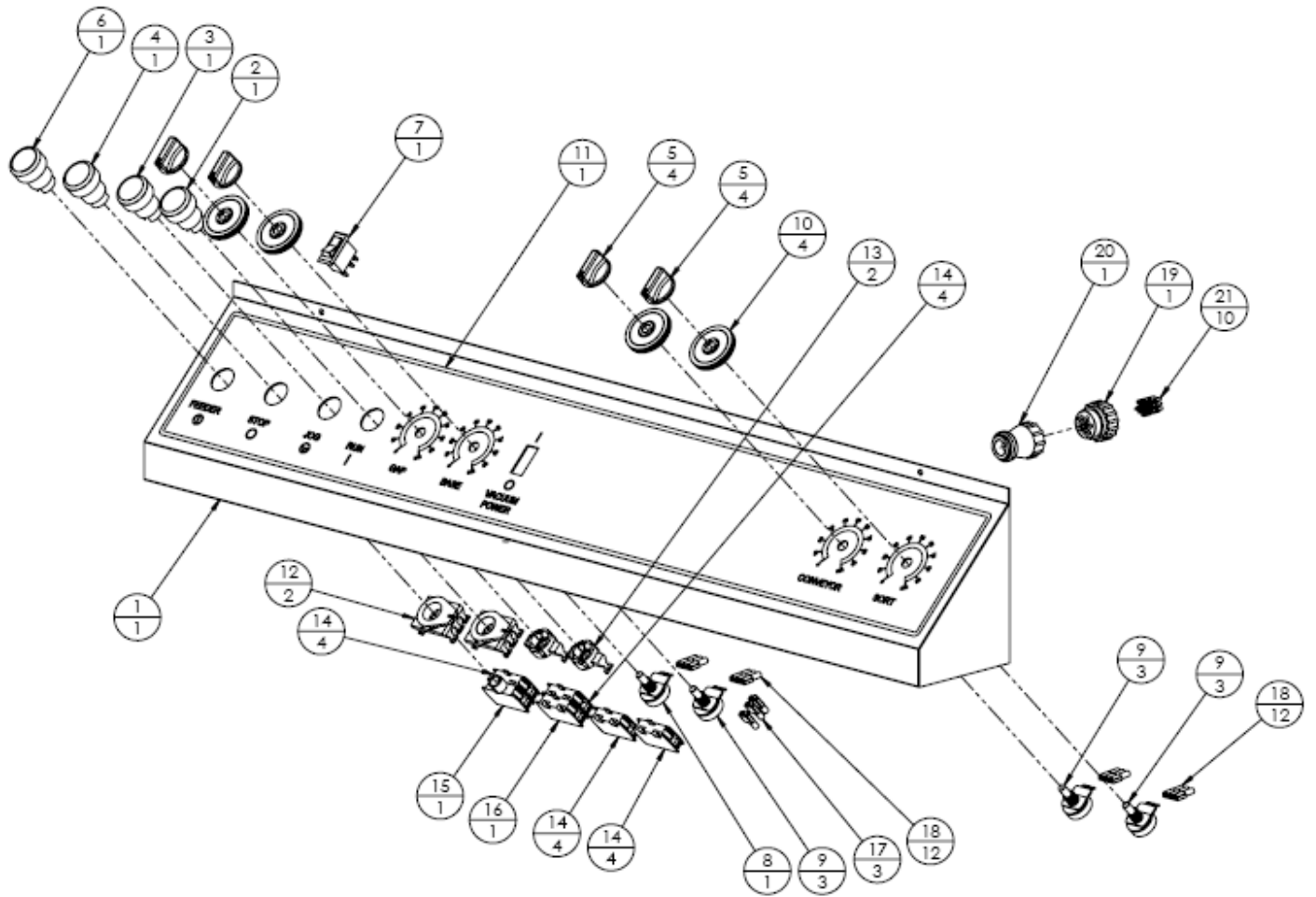
PITNEY BOWES***Sure-Feed Engineering***

ITEM	PART NO	QTY	DESCRIPTION
26	98001-064	9	SIDE COVER TERMINAL BLOCK
27	98001-008	2	END COVER, DBL LAYER TERMINAL
28	98001-074	4	BRIDGE, 3 POSITION
29	98001-075	2	BRIDGE, 4 POSITION
30	98004-063	2	FUSE BRIDGE, 20 POSITION
31	98001-063	13	FUSE BLOCK
32	98001-062	3	GROUND TERMINAL
33	98001-061	5	SPRING GROUND TERMINAL
34	98016-216	6	QUICK DISCONNECT, .250 FEMALE
35	98016-218	4	QUICK DISCONNECT, .110 FEMALE
36	98016-219	8	QUICK DISCONNECT, .250 FEMALE
37	98019-068	2	STRAIGHT PRESSURE TONGUE
38	98002-037	1	RELAY, SPDT, 24 VAC, (OMRON)

**SURE JET VACUUM BASE (Fig. 14)
 ELECTRICAL CONTROL CONSOLE 16020-163rB**

ITEM	PART NO	QTY	DESCRIPTION
1	16013-012	1	CONSOLE ENCLOSURE
2	98000-117	1	PUSH BUTTON, "RUN", GREEN
3	98000-118	1	PB MOM, "JOG", YELLOW
4	98000-119	1	PUSH BUTTON, "STOP", BLACK
5	99006-021	4	KNOB, POTENTIOMETER
6	98000-099	1	PB, MOM, ILLUMINATED, FLUSH
7	98000-041	1	SWITCH ROCKER, WHITE
8	98006-036	1	SPEED POT, 10 K
9	98006-007	3	SPEED POT KIT
10	98006-035	4	KNOB LOCK
11	16015-007	1	LABEL, INKJET CONSOLE
12	98000-103	2	CLIP, THREE POSITIONS
13	98000-102	2	CLIP, ONE POSITION
14	98000-105	4	CONTACT BLOCK, N.O.
15	98000-110	1	LED BLOCK, WHITE
16	98000-108	1	CONTACT BLOCK, N.C., GOLD
17	98016-216	3	QUICK DISCONNECT, .250 FEMALE
18	98016-218	12	QUICK DISCONNECT, .110 FEMALE
19	98016-092	1	PLUG, AMP, 17-14 REV (MALE)
20	98016-005	2	BACKSHELL, PLASTIC SIZE 11
21	98016-025	10	CONTACT, PIN, 24-20 AWG
22	98010-075	17FT	CABLE, SHIELDED, 22/3
23	98010-119	10FT	CABLE, SHIELDED, 22/4

FIG. 14



**SURE JET VACUUM BASE (Fig. 15A & B)
 ELECTRICAL ASSEMBLY 16020-160**

ITEM	PART NO	QTY	DESCRIPTION
1	98015-002	1	STRAIN RELIEF, 3/4"
2	98004-044	1	CIRCUIT BREAKER, 20A
3	16009-071	1	BRACKET, 2 POLE BREAKER
4	16009-155	1	BRACKET, DIN RAIL, 3"
5	98001-062	2	GROUND TERMINAL
6	98016-100	1	RECEPTACLE, FREE-HANGING, 14 PIN
7	98016-005	1	BACKSHELL, PLASTIC SIZE 17
8	98016-027	10	CONTACT, SOCKET, 24-20 AWG
REF	16021-005	1	ASSEMBLY, TRANSFORMER (SEE FIG 15A)
9	16009-057	1	BRACKET, TERMINAL MTG
10	16009-068	1	BRACKET, TRANSFORMER MTG
11	98008-011	1	TRANSFORMER, 110V
12	98020-023	1	FILTER-30A, 115/250V
13	98010-074	6 FT	CABLE, SHIELDED, 18/3
14	98010-186	18 FT	WIRE, 12/3 HAR EXPORT BLACK
15	98010-182	17 FT	WIRE, 16/3, HAR EXPORT BLACK
16	98001-022	2 FT	DIN RAIL
17	98001-101	2	RAIL ADAPTOR
18	98001-067	13	SCREW TERMINAL, 10 GA
19	98001-079	1	TERMINAL END PLATE
20	98001-062	3	GROUND TERMINAL
	98001-052	10 IN	GROUND STRAP, FLAT BRAID
	98001-025	2	TERMINAL, RING, 1/4", 6 AWG
	98001-050	5	TERMINAL, RING, #8, 12-10 AWG
	98016-221	1	TERMINAL, RING, #8, 14-16
	98016-220	4	QUICK DISCONNECT, .250 FEMALE
	99039-119	1	VIBRATION ISOLATOR
REF	16020-535	1	ASSEMBLY, E-STOP (SEE FIG 15B)
26	98000-016	2	SWITCH, PUSH-PULL STOP
27	98000-037	2	CLIP, SWITCH
28	98000-038	4	CONTACT BLOCK, N.C.
29	98000-028	2	CONTACT BLOCK, 1XNO, PROTECTED
	98000-053	2	E-STOP PLATE, SMALL (TUV)

FIG. 15A

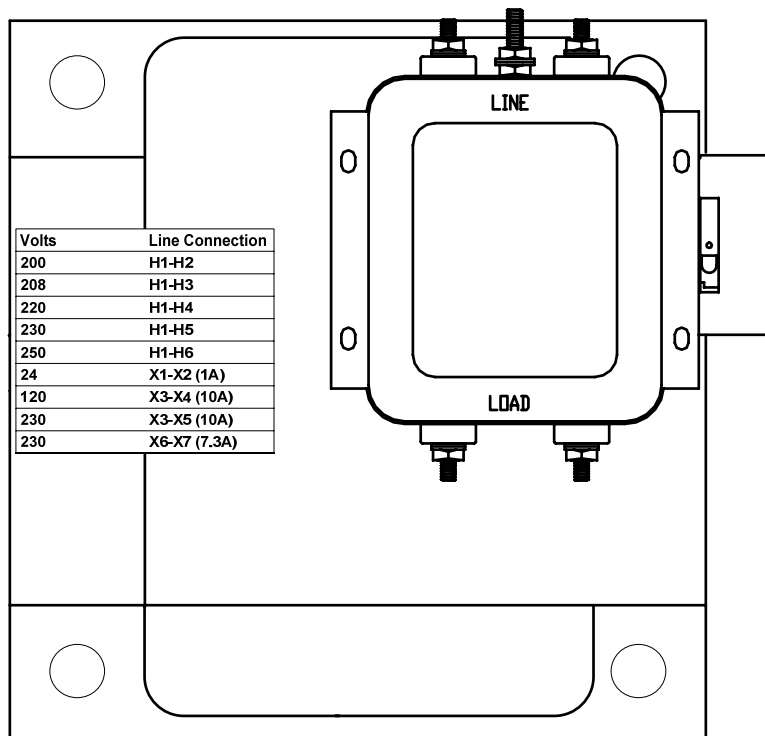
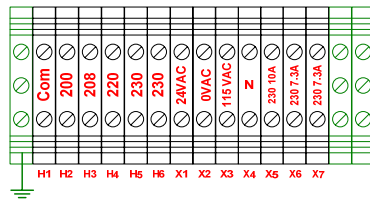
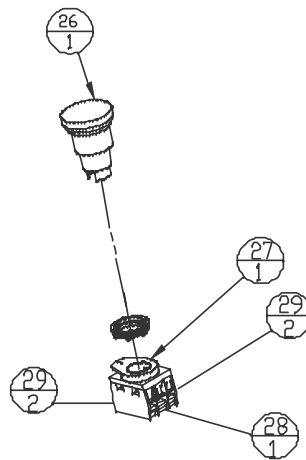


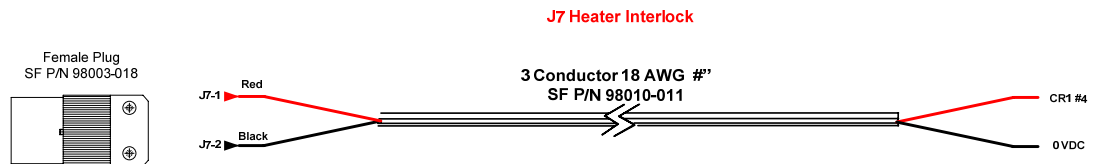
FIG. 15B



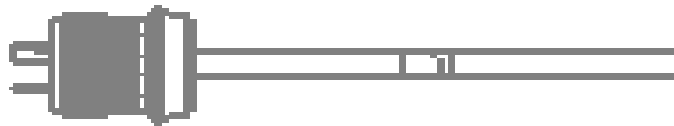
**SURE JET VACUUM BASE (Fig. 16)
 ELECTRICAL ASSEMBLY 16020-160**

ITEM	PART NO	QTY	DESCRIPTION
	16021-007	1	ASSEMBLY, HEATER CABLE, J7
	98010-074	6 FT	CABLE, SHIELDED, 18/3
	98003-018	1	RECEPTACLE, HUBBLE TWIST LOCK
	16021-006	1	ASSEMBLY, POWER CABLE
	98010-186	13.5 FT	WIRE, 12/3 HAR EXPORT BLACK
	98003-017	1	PLUG, HUBBLE TWIST LOCK 20A

HEATER CABLE
 16021-007



POWER CABLE
 16021-006



**SURE JET VACUUM BASE (Fig. 17A & B)
 J-BOX PLC ASSEMBLY 16020-162**

ITEM	PART NO	QTY	DESCRIPTION
18	16013-088	1	COVER, ENCLOSURE, J-BOX
19	16013-087	1	ENCLOSURE, J-BOX
	16013-103	1	COVER, TRANSFORMER
	98015-037	1	GROMMET, RUBBER, 7/8"
	98015-038	1	GROMMET, RUBBER, 1-1/16"
REF	16021-010	1	ASSY, BACK PANEL, J-BOX ENCLOSURE (SEE FIG 17A)
2	98001-062	2	GROUND TERMINAL
3	98001-060	16	SPRING TERMINAL BLOCK
5	98001-063	5	FUSE BLOCK
6	98001-064	2	SIDE COVER, TERMINAL BLOCK
7	98004-017	5	FUSE, 1 AMP, 250V, 5X20MM GMC
9	98001-072	4	TERMINAL, END STOP
11	98001-065	2	JUMPER, 3 POLE, TERMINAL BLOCK
12	98001-022	1 FT	DIN RAIL
13	98012-003	4 ft	DUCT, WIRE W/COVER, 1" X 3"
14	98013-054	1	PLC, FX1N
17	98011-007	1	POWER SUPPLY
20	16011-155	1	PLATE, PANEL MOUNTING
21	98001-073	2	BRIDGE, 2 POSITION
22	98001-074	1	BRIDGE, 3 "
23	98001-075	1	BRIDGE, 4 "
24	98001-076	1	BRIDGE , 5 POSITION
	16021-033	1	ASSY, COMPUTER CABLE, J4 (SEE FIG 17B)
	98016-015	2	BACKSHELL, PLASTIC, SIZE 11
	98016-046	1	PLUG, AMP, 11-8 STD (FEMALE)
	98016-145	8	CONTACT, GOLD SOCKET, 20-24 AWG
	98010-012	8 ft	CABLE, BELDEN, B9934-060
	16021-034	1	ASSY, PHOTOCCELL CABLE, J1 OR J2 (SEE FIG 17B)
	98016-117	3	CONTACT, SOCKET 26-24 AWG
	98015-004	1	LOCK NUT, 3/4"
	98016-114	3	CONTACT, PIN, 26-24 AWG

FIG 17A

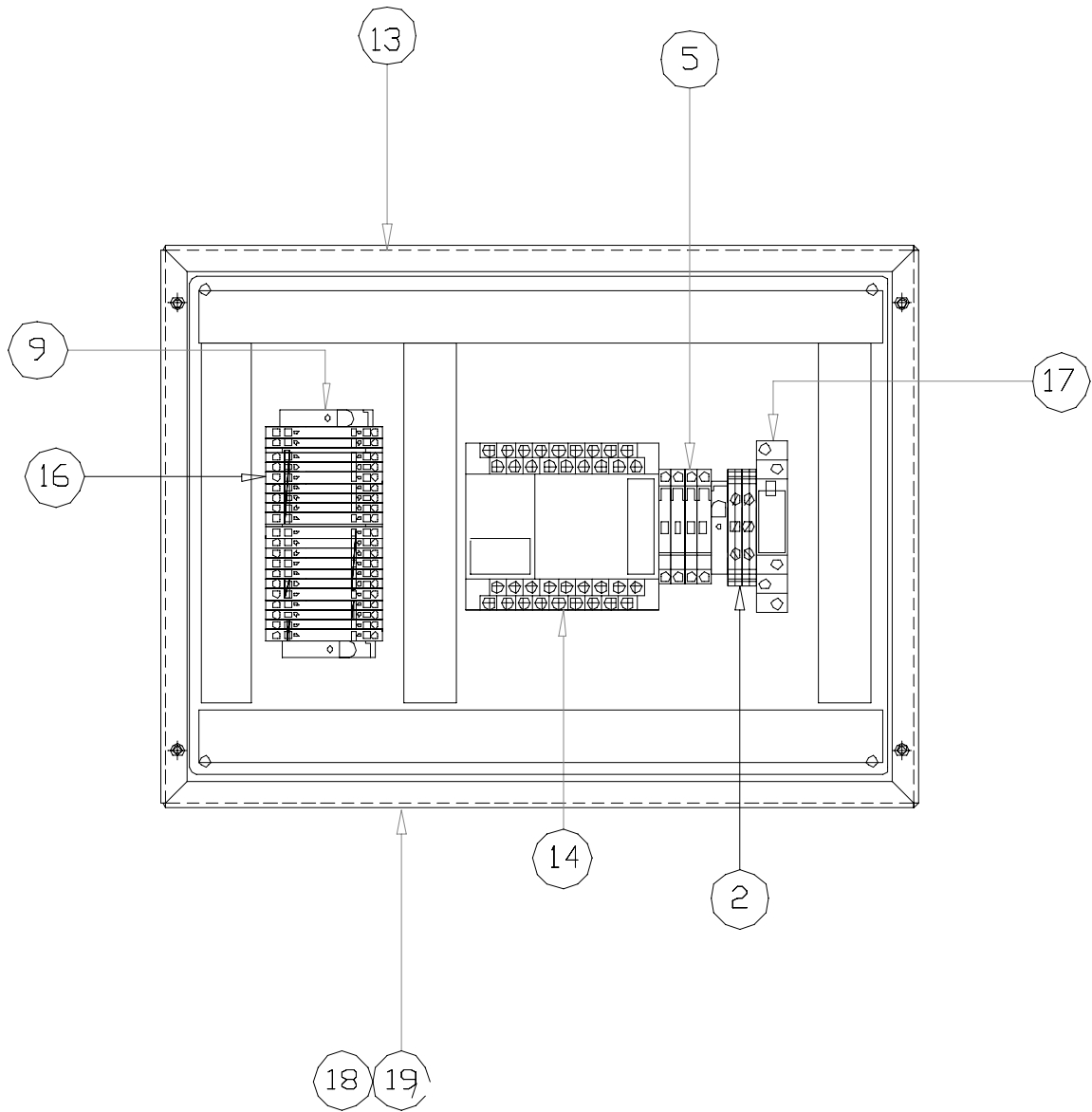
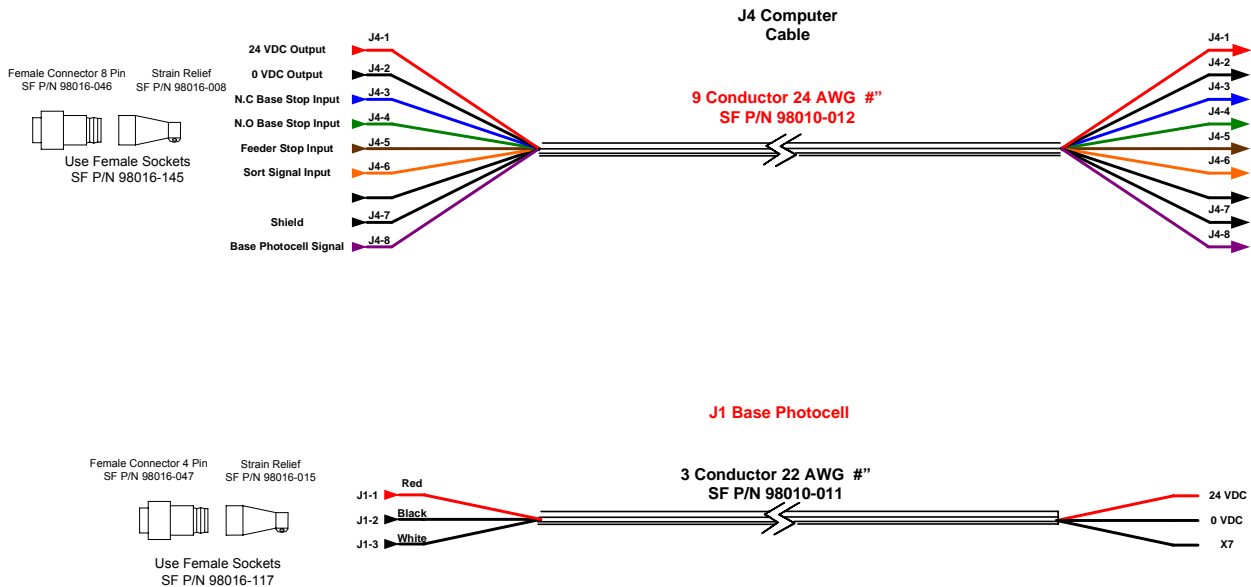


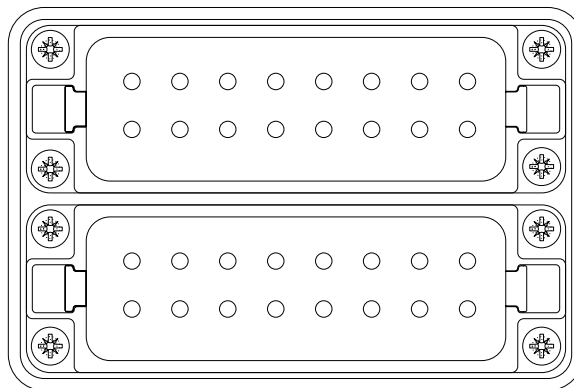
FIG 17B



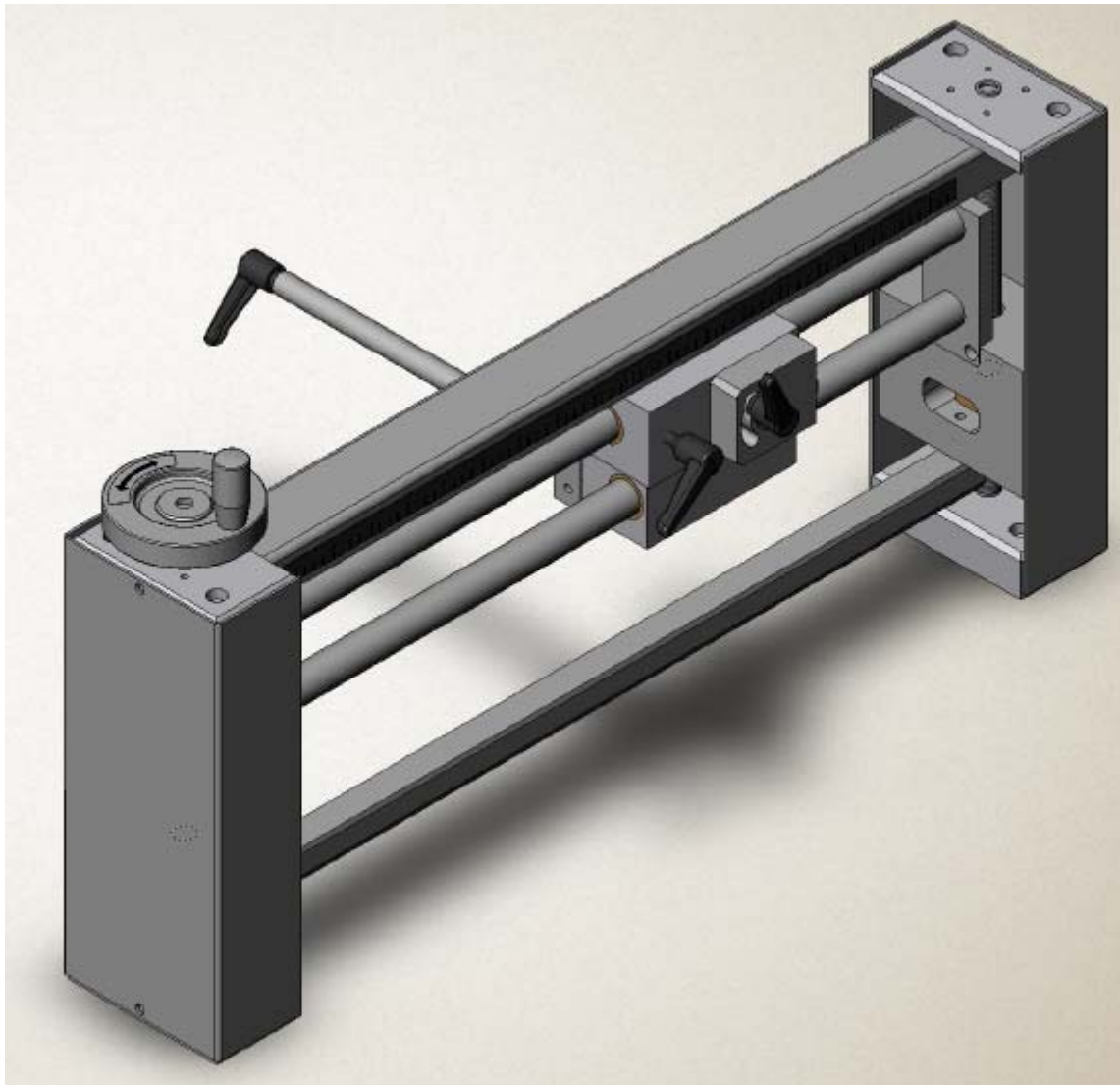
**SURE JET VACUUM BASE (Fig.18)
 PLUG RECEPTACLE ASSEMBLY**

ITEM	PART NO	QTY	DESCRIPTION
	16020-159	1	ASSEMBLY, PLUG RECEPTACLE (BASE 1 & 2)
1	98016-154	2	FEMALE INSERT, A16 SERIES, 16 POS, #1-16
2	98016-156	2	FEMALE INSERT. A16 SERIES, 16 POS, #17-32
3	98016-158	2	BASE, PANEL MTG, W/DOUBLE LOCKING LATCH
4	98016-159	2	PROTECTIVE COVER
5	16011-142	2	PLATE, PLUG MOUNTING (NOT SHOWN)

J-11 & J-6



OPTIONAL PRINT HEAD



PRINT BRIDGE ASSEMBLY 16020-091 (Fig. 19)

ITEM	PART NO.	QTY.	DESCRIPTION
1	16011-253	2	PLATE, BASE INK JET BRIDGE
2	16004-157	4	SHAFT, BEARING, VERTICAL
3	16011-038	2	PLATE, BASE INK JET BRIDGE
4	16007-139	2	BLOCK, BEARING, VERTICAL
5	99003-039	8	BUSHING, SL, 1/2 X 3/4 X 1/2
6	16008-116	1	BAR, BEARING LEVELER
7	16009-104	2	BAR, SHAFT MOUNTING
8	16004-038	2	SHAFT, HORIZONTAL BRIDGE
9	99003-076	2	BUSHING, FL, 1/4 X 3/8 X 3/8
10	99003-036	2	BUSHING, 3/8 X 1/2 X 5/8
11	16004-034	1	SHAFT, SCREW, VERTICAL, BRIDGE
12	16004-035	1	SHAFT, SCREW, VERTICAL, BRIDGE
13	99002-075	2	PULLEY, 15XL075, 1/2B W/ KEYWAY
14	16013-026	1	SHROUD, BELT GUARD
15	99000-119	1	BELT, 460XL037
16	16019-002	2	NUT, ADJUSTING
17	99004-008	1	HANDWHEEL W/ REVOLVING KNOB
18	16013-203	2	GUARD, END, BRIDGE
19	16020-508	1	ASSEMBLY, PRINT HEAD MTG, RH
	99003-085	2	BUSHING, 3/4 X 15/16 X 1-1/2
	16007-050	1	BLOCK, PRINT HD, MTG, RH
20	16020-509	1	ASSEMBLY, PRINT HEAD MTG, LH
	99003-085	2	BUSHING, 3/4 X 15/16 X 1-1/2
	16007-051	1	BLOCK, PRINT HD, MTG, LH
21	99004-027	3	HANDLE, RATCHET, 1/4-20 X 1.18
22	16007-048	1	BLOCK, PIVOT, HEAD MTG
23	16007-049	1	PIVOT BLOCK, HEAD MTG
24	99033-017	2	SHOULDER BOLT, 3/8 X 5/16-24 X 3/4
25	99004-026	2	HANDLE, RATCHET, 1/4-20 X 0.59
26	99003-016	2	WASHER, NYLON, 3/8 X 1/32 THK
27	99003-017	2	WASHER, NYLON, 3/8 X 1/16 THK
28	99003-013	2	WASHER, NYLON, 1/4 X 1/16 THK
29	99036-011	2	WASHER, CONICAL
30	16015-010	1	LABEL, BRIDGE ADJ
31	16015-022	1	LABEL, BRIDGE SCALE
32	16004-040	1	EXTENSION, RATCHET HANDLE
-	16004-041	OPT	EXTENSION, RATCHET HANDLE (USED W/4" PRISM HEAD

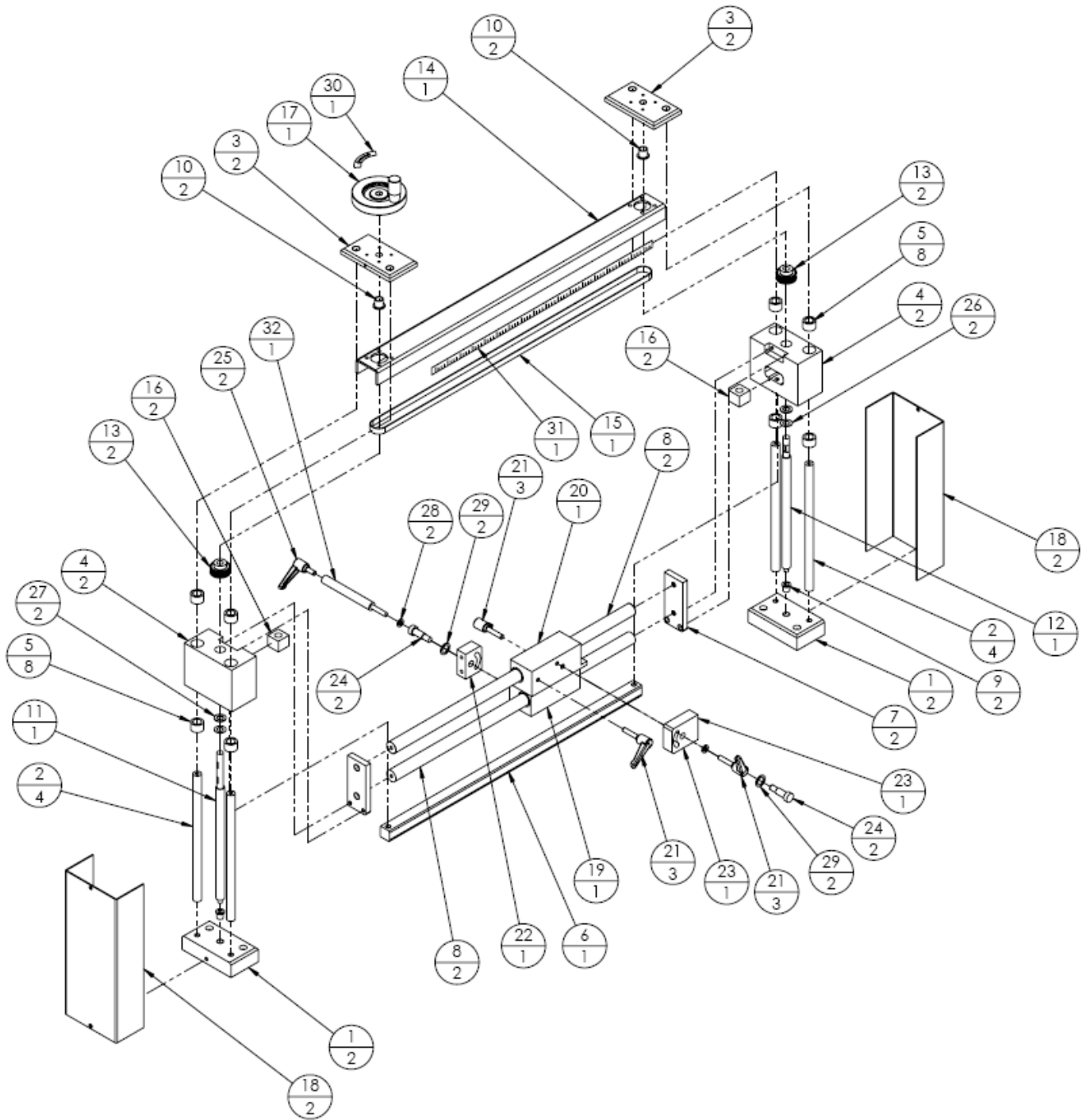


FIG 19