

PITNEY BOWES

BUMP TURN

Parts Manual



SURE-FEED ENGINEERING

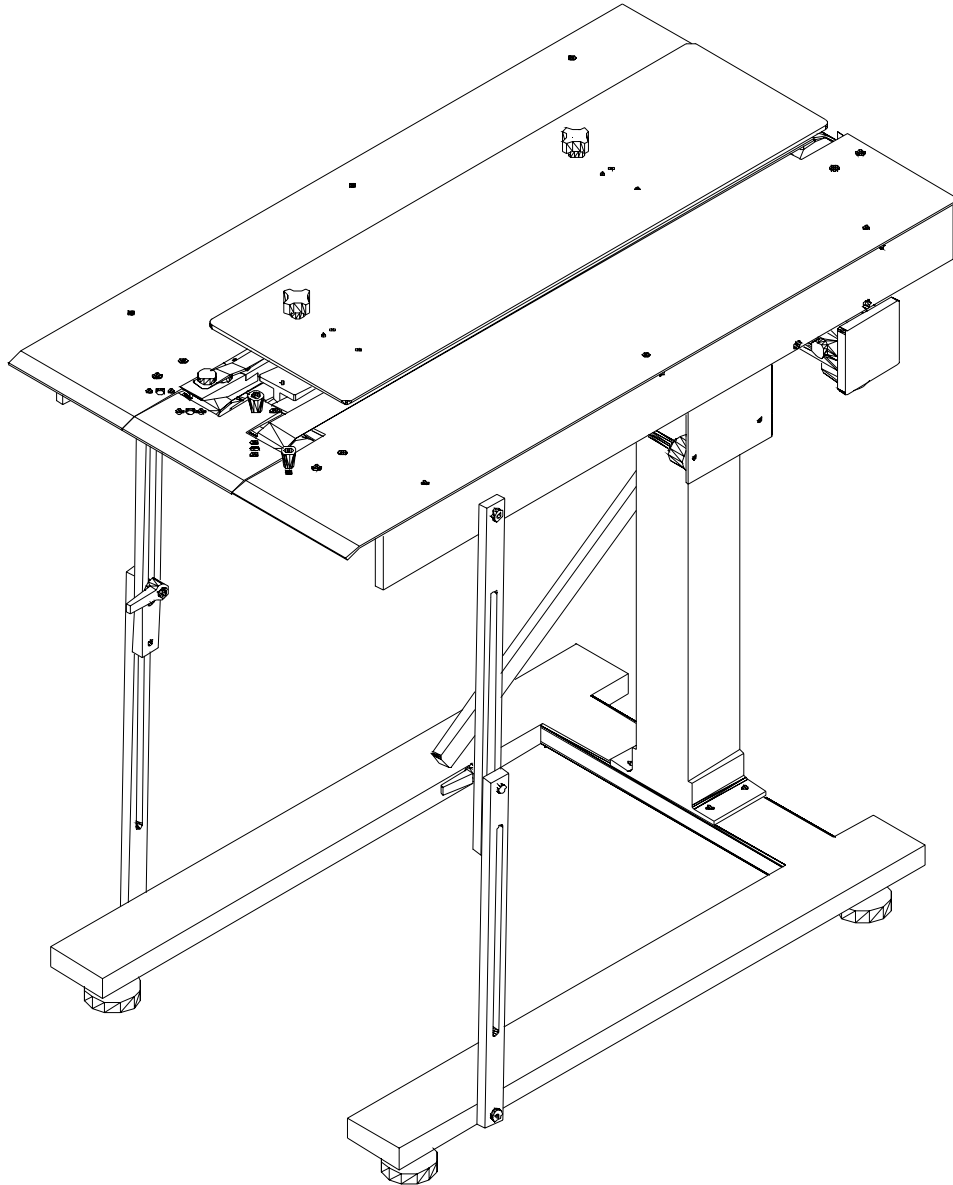
12050 49th STREET NORTH - CLEARWATER, FL. 33762-4301
PHONE: 727.571.3330 - FAX: 727.571.3443 - TOLL FREE: 1.800.INSERTER
web: sure-feed.com

TABLE OF CONTENTS

BUMP TURN

BUMP TURN ASSEMBLY (Fig. 1)	3
TABLE ASSEMBLY (Fig. 2).....	5
FRAME ASSEMBLY (Fig. 3)	6
DRIVE ASSEMBLY (Fig. 4).....	8
MOTOR ASSEMBLY (Fig. 5)	9
BALL RACK ASSEMBLY (Fig. 6)	10
ADJUSTABLE BRACKET ASSEMBLY (Fig. 7)	12
BASE / SUPPORT POST ASSEMBLY (Fig. 8).....	14
NIP ROLLER ASSEMBLY (OPTIONAL) (Fig. 9)	16

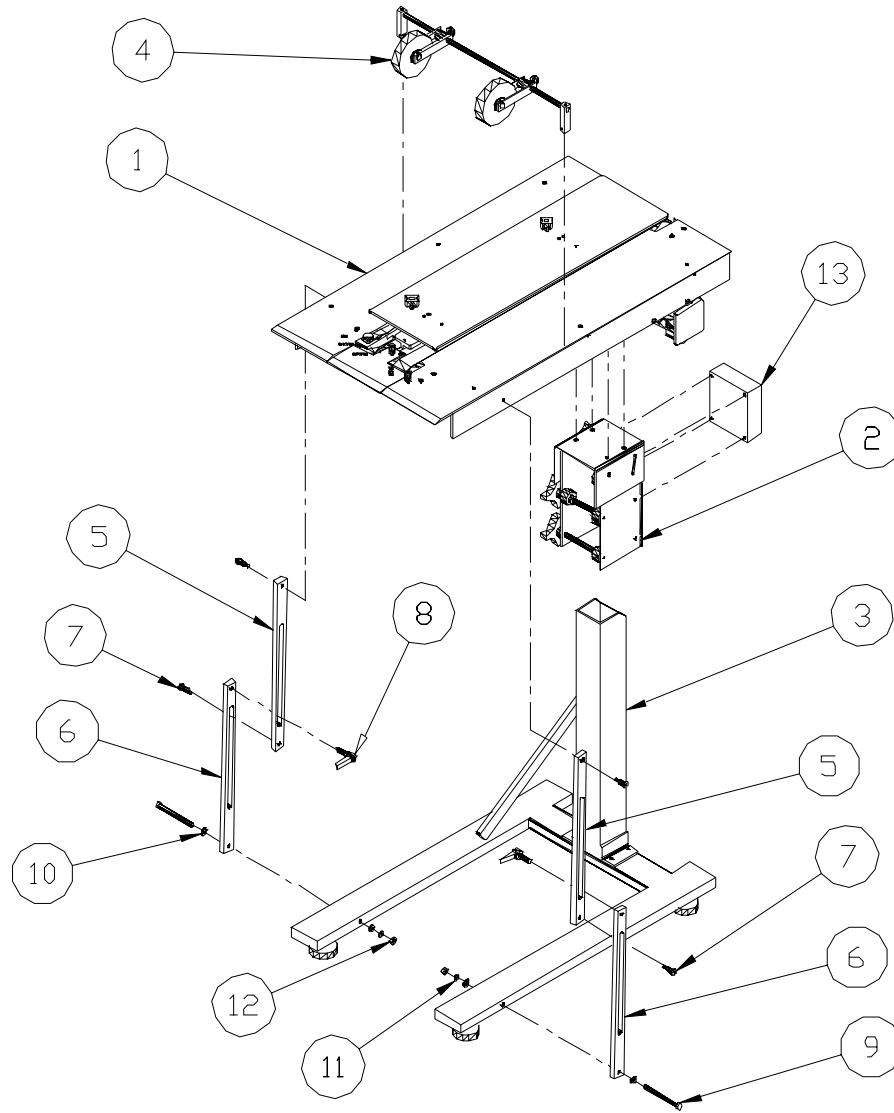
BUMP TURN



PITNEY BOWES**BUMP TURN ASSEMBLY (Fig. 1)**

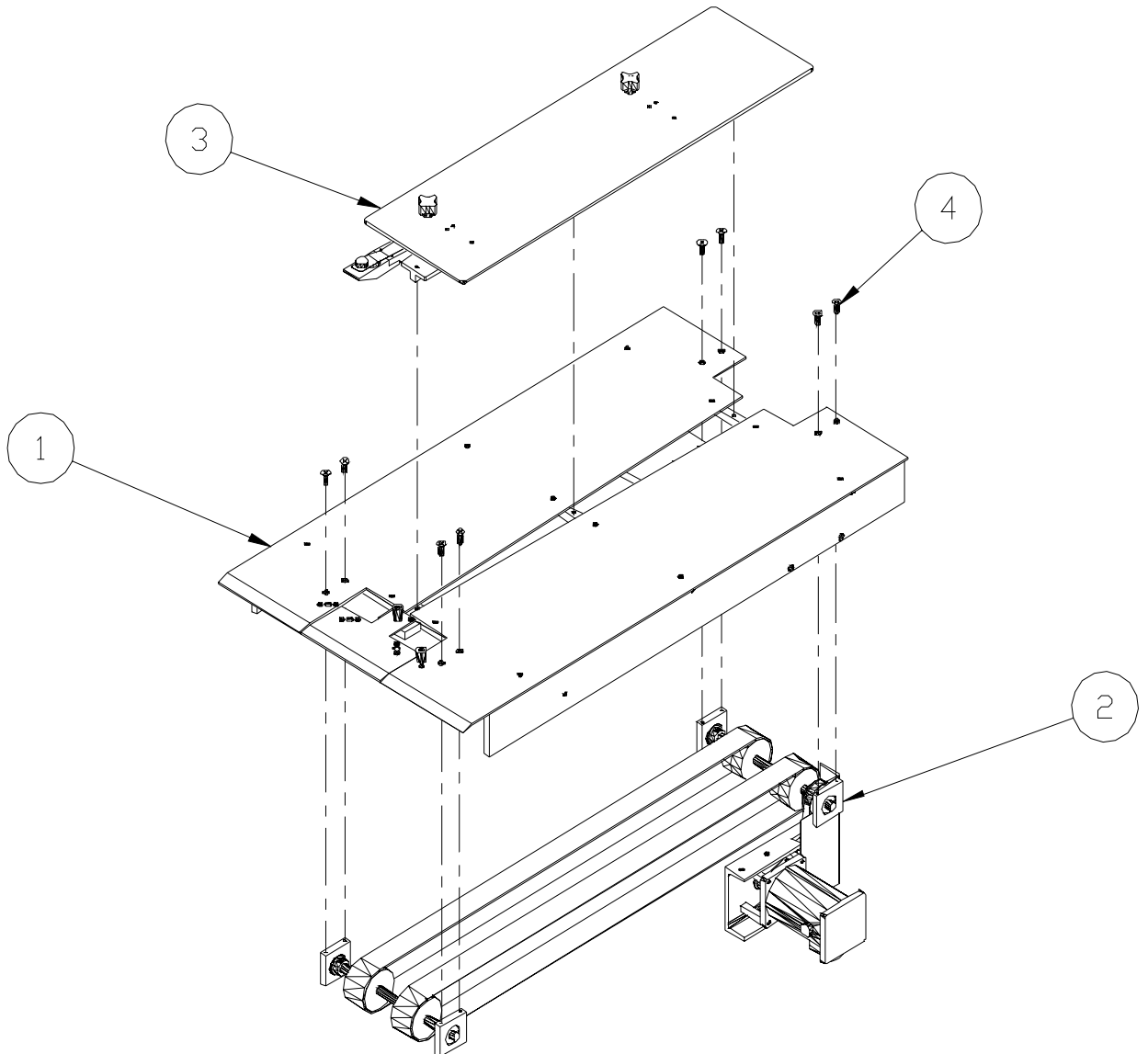
ITEM	PART NO.	QTY.	DESCRIPTION
1	SEE FIG. 2	1	TABLE ASSEMBLY
2	SEE FIG. 7	1	ADJUSTABLE BRACKET ASSEMBLY
3	SEE FIG. 8	1	BASE / SUPPORT POST ASSEMBLY
4	SEE FIG. 9	1	NIP ROLLER ASSEMBLY (OPTIONAL)
5	13008-002	2	BAR, TABLE SUPPORT, UPPER
6	13008-003	2	BAR, TABLE SUPPORT, LOWER
7	99033-003	4	BOLT, SHOULDER, 3/8 X 5/8
8	99004-013	2	HANDLE, RATCHET, 3/8-18 X 1.18
9		2	BOLT, CARRIAGE, 1/4-20 X 4
10		4	WASHER, FLAT, 1/4
11		2	WASHER, LOCK, 1/4
12		2	NUT, HEX, 1/4
13	98005-008	1	CONTROLLER, MOTOR, DC (DAYTON)

FIG. 1



BUMP TURN TABLE (Fig. 2)

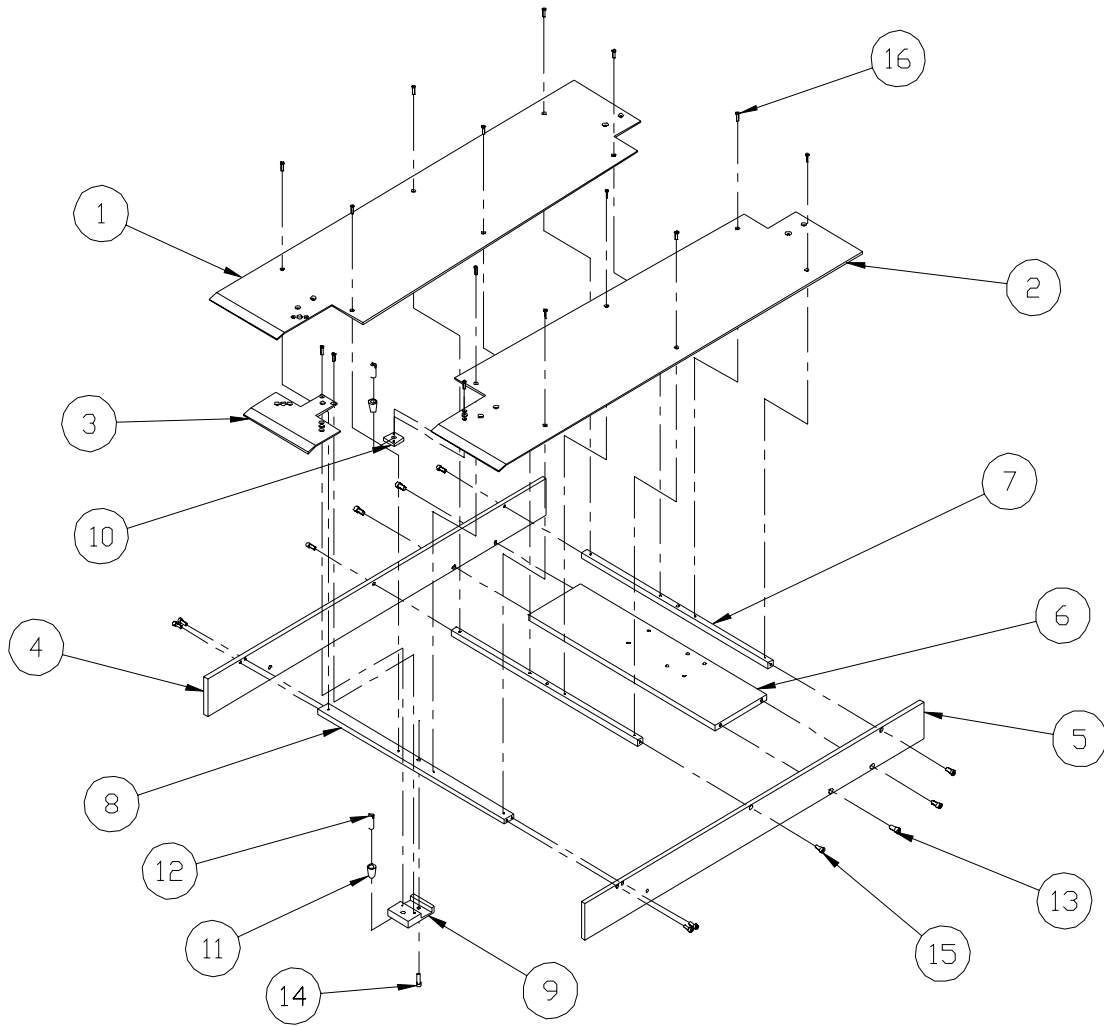
ITEM	PART NO.	QTY.	DESCRIPTION
1	SEE FIG. 3	1	FRAME ASSEMBLY
2	SEE FIG. 4 & 5	1	MOTOR / DRIVE ASSEMBLY
3	SEE FIG. 6	1	BALL RACK ASSEMBLY
4		8	SCREW, FLAT HD, 10-24 X 1/2



**BUMP TURN TABLE
FRAME ASSEMBLY (Fig. 3)**

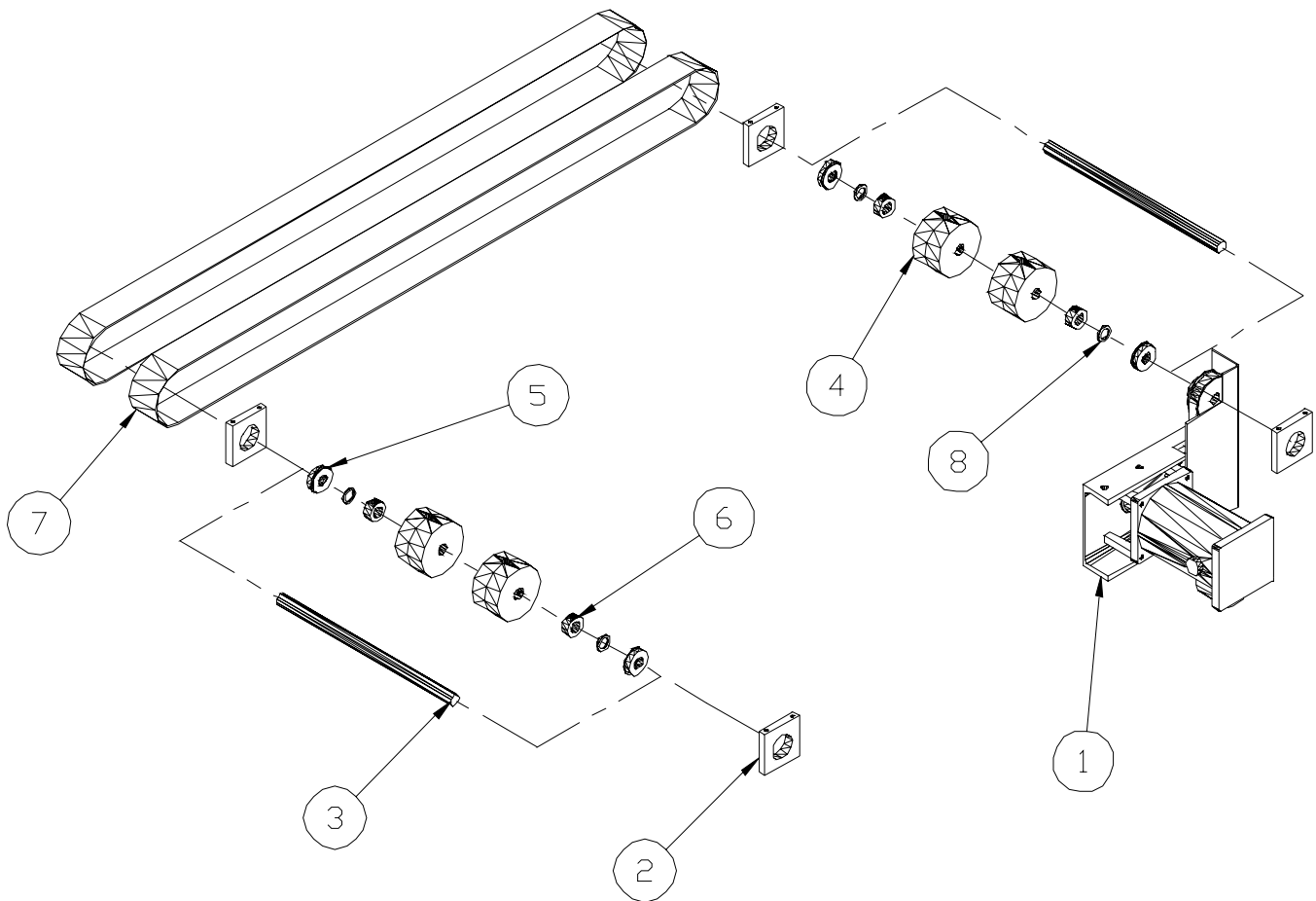
ITEM	PART NO.	QTY.	DESCRIPTION
1	13011-002	1	PLATE, TOP, LH
2	13011-001	1	PLATE, TOP, RH
3	13011-004	1	PLATE, FRONT GUIDE
4	13000-002	1	SIDEFAME, LH
5	13000-001	1	SIDEFAME, RH
6	13003-003	1	CROSS BRACE, MAIN
7	13003-001	2	CROSS BRACE, SQ
8	13003-002	1	CROSS BRACE, FLAT
9	13007-003	1	BLOCK, LOCATING
10	13007-002	1	BLOCK, BUMP MTG.
11	13005-002	2	POST, BUMP WEDGE
12	99006-025	2	PIN, STUD, 3/8-24
13		4	SCREW, SKT HD, 1/4-20 X 1/2
14		1	SCREW, SKT HD, 10-24 X 5/8
15		8	SCREW, SKT HD, 10-24 X 1/2
16		14	SCREW, FLAT HD, 6-32 X 1/2

FIG. 3



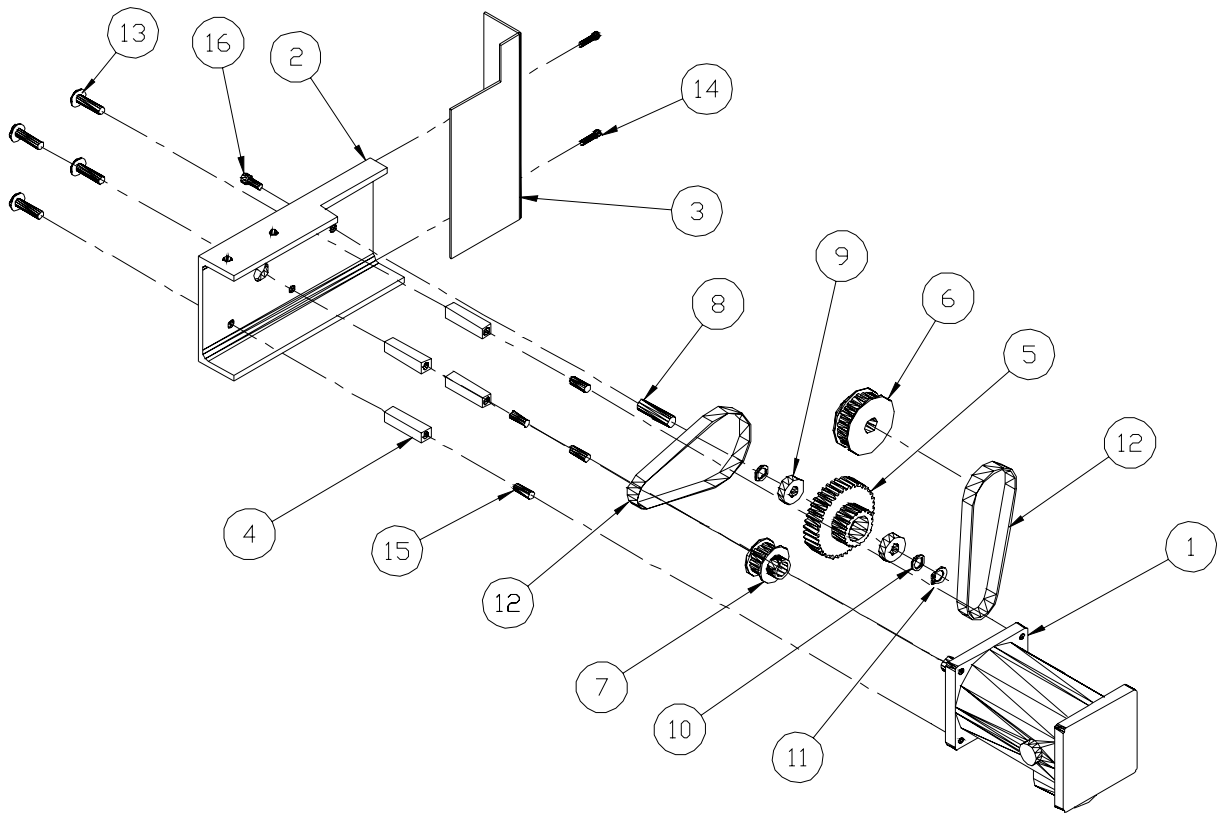
**BUMP TURN TABLE
DRIVE ASSEMBLY (Fig. 4)**

ITEM	PART NO.	QTY.	DESCRIPTION
1	SEE FIG. 5	1	MOTOR ASSEMBLY
2	13007-001	4	BLOCK, BEARING
3	13004-001	2	SHAFT, MAIN
4	13006-001	4	PULLEY, CROWNED
5	99003-007	4	BEARING, SEALED, 1/2 X 1-1/8
6	99017-004	4	COLLAR, SET, 1/2
7	99000-072	2	BELT, CONVEYOR, 1-1/2" X 66"
8	99003-018	4	WASHER, NYLON, 1/2



**BUMP TURN TABLE
MOTOR ASSEMBLY (Fig. 5)**

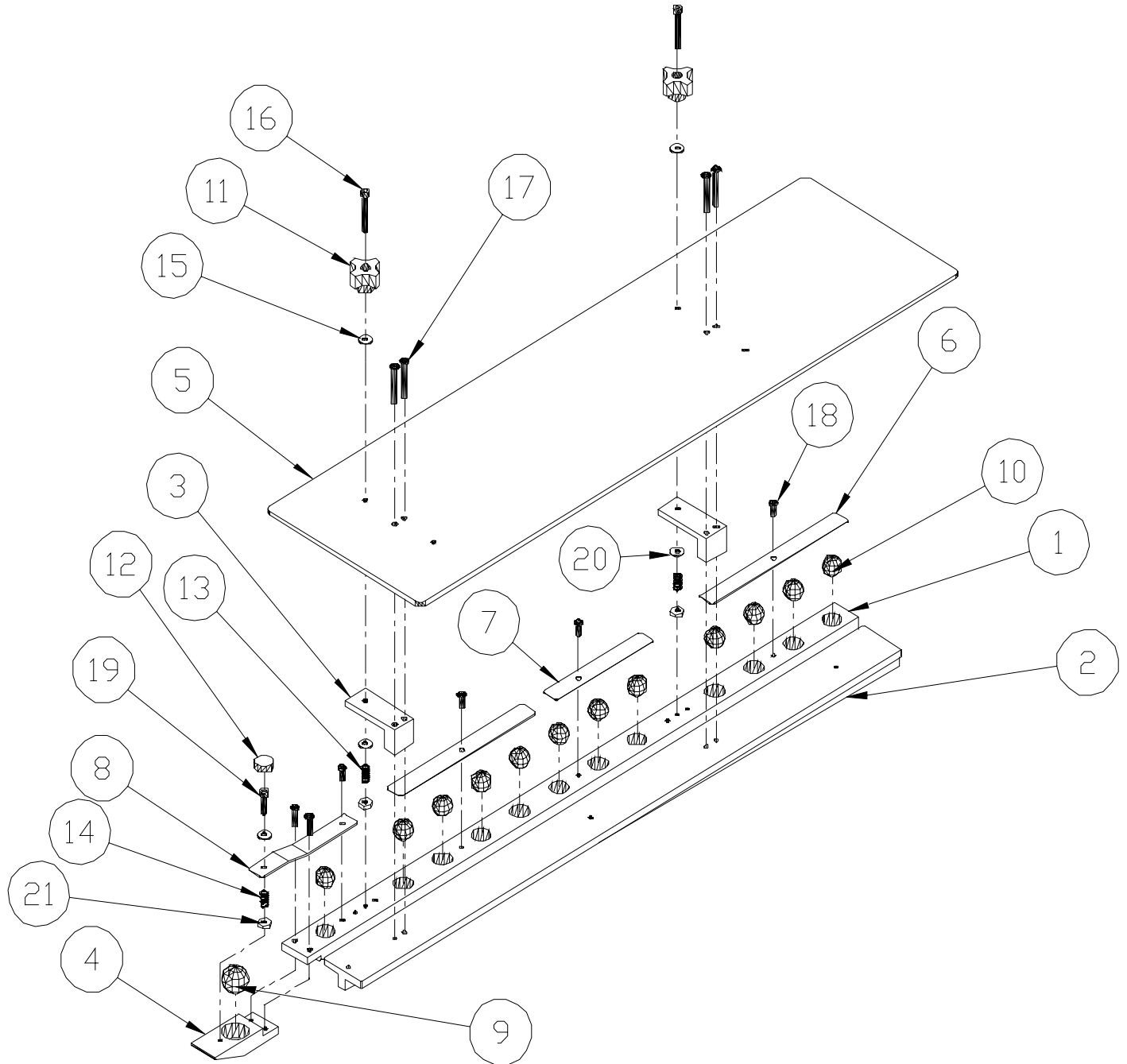
ITEM	PART NO.	QTY.	DESCRIPTION
1	99001-010	1	MOTOR, 1/18HP, 90V DC
2	13009-005	1	BRACKET, DRIVE MTG.
3	13013-001	1	COVER, DRIVE
4	13012-001	4	STANDOFF, MOTOR
5	13006-002	1	PULLEY, DOUBLE, 20/40 XL037
6	99002-040	1	PULLEY, 28XL037, 1/2 BORE
7	99002-007	1	PULLEY, 16XL037, 1/2 BORE
8	11004-016	1	SHAFT, STUB IDLER (OLD # 13004-002)
9	99003-046	2	BEARING, SEALED, 3/8 X 7/8 (OLD # 99003-008)
10	99003-032	2	WASHER, NYLON, 1/2 X 1/32 (OLD # 99003-017)
11	99022-004	1	SNAP RING, 1/2 (OLD # 99022-003)
12	99000-003	2	BELT, TIMING, 120XL037
13		4	SCREW, BUTTON HD, 1/4-20 X 5/8
14		2	SCREW, SKT HD, 6-32 X 3/8
15		4	SCREW, SET, 1/4-20 X 1-1/4
16		1	SCREW, SKT HD, 1/4-20 X 5/8



**BUMP TURN TABLE
BALL RACK ASSEMBLY (Fig. 6)**

ITEM	PART NO.	QTY.	DESCRIPTION
1	13007-005	1	BALL RACK
2	13005-001	1	WEDGE, SIDE GUIDE
3	13009-002	2	BRACKET, BALL RACK MTG.
4	13007-006	1	BLOCK, BALL RACK NOSE
5	13001-001	1	COVER, TOP
6	13005-003	2	GUIDE, BALL RETAINING, 7"
7	13005-004	1	GUIDE, BALL RETAINING, 5"
8	13005-005	1	GUIDE, BALL RETAINING, FRONT
9	99037-003	1	BALL, CHROME STEEL, 1"
10	99037-001	12`	BALL, CHROME STEEL, 3/4"
11	99004-005	2	KNOB, 10-32, FEMALE (OLD # 99004-012)
12	99004-002	1	KNOB, #10
13	99005-015	2	SPRING, COMP, .020 X .240 X .688
14	SAME AS 13	1	SPRING, COMP, .020 X .240 X .688 (OLD#99005-020)
15	99003-013	10	WASHER, NYLON, 1/4
16		2	ALTHREAD, 10-32 X 2
17		4	SCREW, BUTTON HD, 10-24 X 1-1/2
18		4	SCREW, BUTTON HD, 10-24 X 1/2
19		1	SCREW, SKT HD, 10-24 X 7/8
20		3	WASHER, FLAT, #10
21		3	NUT, HEX, #10

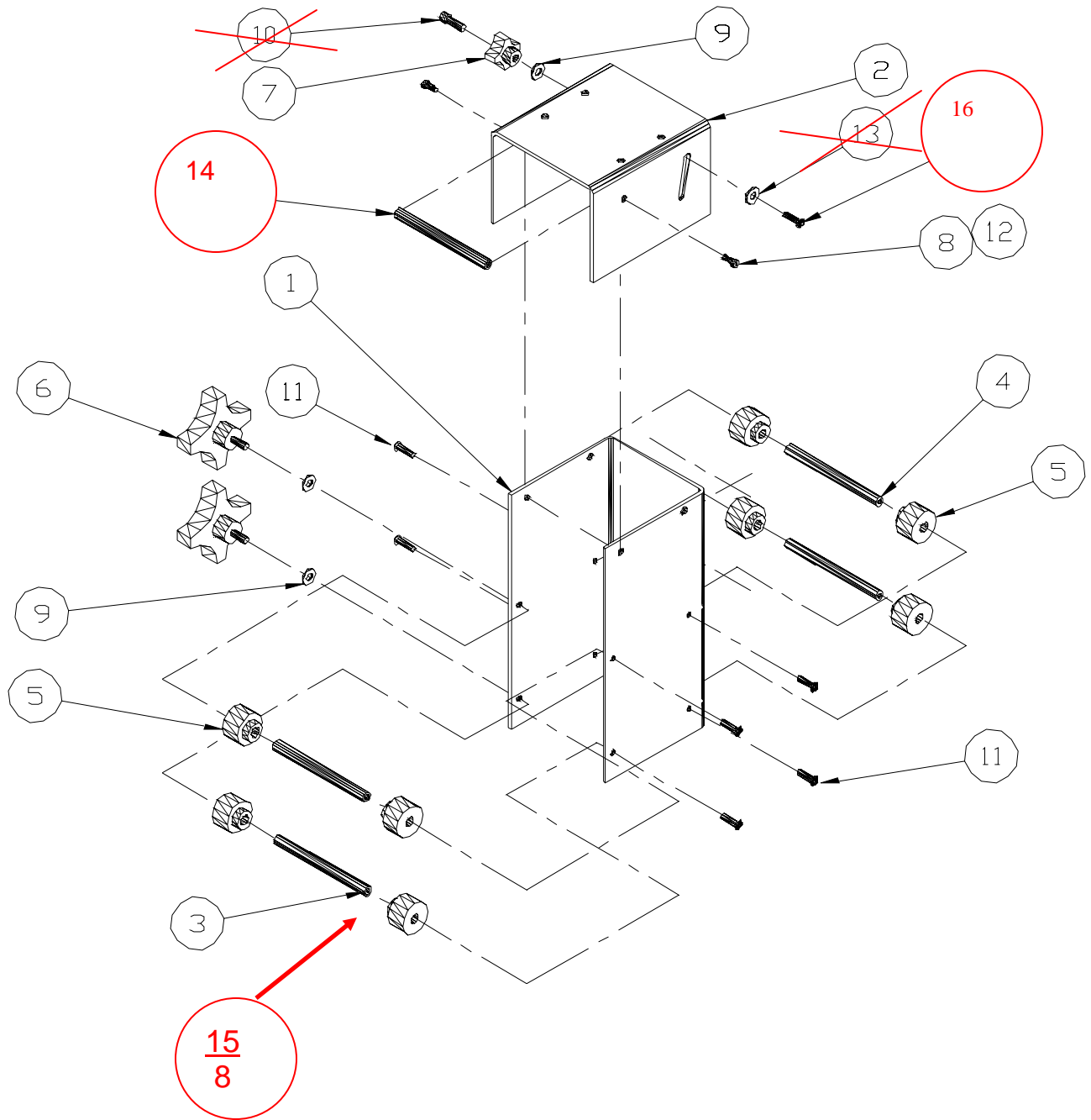
FIG. 6



**BUMP TURN
ADJUSTABLE BRACKET ASSEMBLY (Fig. 7)**

ITEM	PART NO.	QTY.	DESCRIPTION
1	13009-004	1	BRACKET, ADJ.
2	13009-003	1	BRACKET, PIVOT
3	13004-005	2	SHAFT, PIVOT CLAMP
4	13004-004	2	SHAFT, PIVOT GUIDE
5	13006-006	8	GUIDE, ROLLER
6	99004-009	2	KNOB, 1/4-20
7	99004-007	1	KNOB, 1/4-20 FEMALE
8	-	2	SCREW, BUTTON HD, 1/4-20 X 5/8
9	-	3	WASHER, FLAT, 3/8
10	NOT USED	1	SCREW, SKT HD, 1/4-20 X 3/4
11	-	6	SCREW, SKT HD, 10-24 X 1/2
12	-	2	NUT, LOCK, #8 (NOT SHOWN)
13	NOT USED	2	WASHER, FLAT, #10
14	?	1	1/4 X 6 NIPPLE-CUT TO 4.5"
15	99022-003	8	SNAP RING, 3/8
16	-	1	1/4-20 X 4-1/2 CARRIAGE BOLT

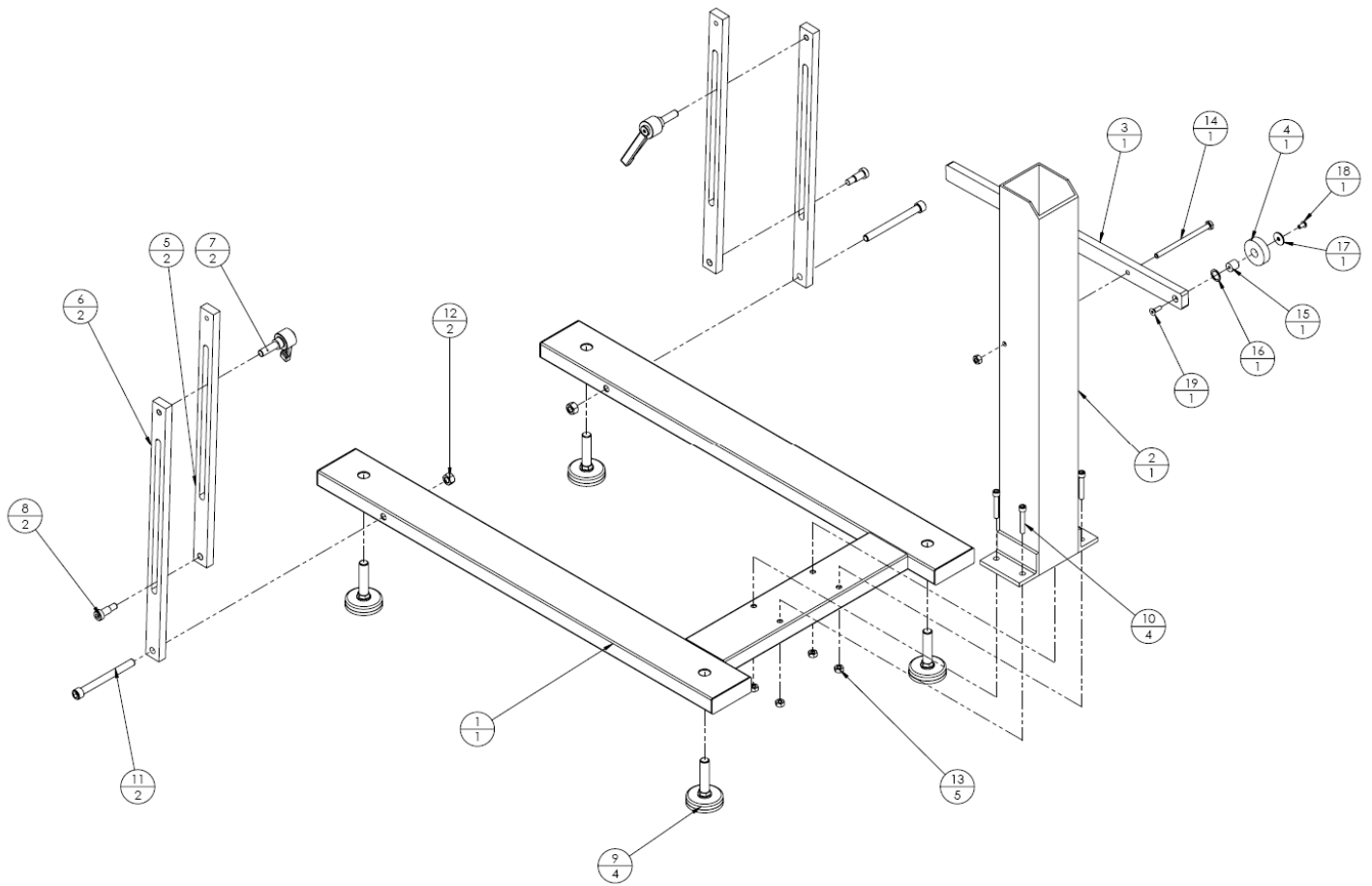
FIG. 7



**BUMP TURN
FRAME (BASE / SUPPORT POST) ASSEMBLY 13020-001 (Fig. 8)**

ITEM	PART NO.	QTY.	DESCRIPTION
1	13002-001	1	BASE, WELDMENT
2	13002-002	1	POST, SUPPORT
3	13008-001	1	HANDLE, HEIGHT ADJ.
4	13006-005	1	ROLLER, ADJUSTABLE HANDLE
5	13008-002	2	BAR, TABLE SUPPORT, UPPER
6	13008-003	2	BAR, TABLE SUPPORT, LOWER
7	99004-013	2	HANDLE, RATCHET, 3/8-18 X 1.18
8	99033-003	2	BOLT, SHOULDER, 3/8 X 5/8
9	99010-006	4	FOOT, LEVELING, 1/2-13
	-	4	NUT, JAM, 1/2-13 (NOT SHOWN)
10	-	4	SCREW, SKT HD, 1/4-20 X 1-1/2
11	-	2	SCREW, SKT HD, 3/8-16 X 1-1/2
12	-	2	NUT, NY-LOCK, 3/8-16
13	-	5	NUT, NY-LOCK, 1/4-20
14	-	1	SCREW, HEX HD, 1/4-20 X 4
15	13012-002	1	SPACER, ROLLER
16	99003-032	1	WASHER, NYLON, 1/2 X 1/32
17	-	1	WASHER, FLAT #10
18	-	1	SCREW, BUTTON HD, 10-24 X 3/8
19	-	1	SCREW, FLAT HD, 10-24 X 5/8

FIG. 8



**BUMP TURN
NIP ROLLER ASSEMBLY (OPTIONAL) (Fig. 9)**

ITEM	PART NO.	QTY.	DESCRIPTION
1	13007-004	2	BLOCK, NIP ROLLER SUPPORT
2	13011-003	4	PLATE, NIP ROLLER
3	13004-007	1	SHAFT, NIP ROLLER MTG.
4	12004-009	2	SHAFT, NIP
5	12007-011	2	BLOCK, LOCATING
6	12006-005	2	ROLLER, NIP
7	99004-002	2	KNOB, #10 SCREW
8	99003-003	4	BEARING, SEALED W/ SNAP RING, 1/2 X 1-1/8
9		2	SCREW, SKT HD, 10-24 X 1/2

