

PITNEY BOWES
Sure-Feed Engineering

FEEDMAX

SYSTEM

IJ SERIES

Parts Manual



SURE-FEED ENGINEERING

12050 49th STREET NORTH - CLEARWATER, FL. 33762-4301
PHONE: 727.571.3330 - FAX: 727.571.3443 - TOLL FREE: 1.800.INSERTER
web: sure-feed.com

VERSION HISTORY

The table below summarizes the history of this document as it is published onto the company website(s). It identifies the version, date of issue and revisions and changes.

VERSION	DATE	CHANGES
FEEDMAXPARTS082508	8-27-08	ORIGINAL RELEASE

REVISION CONVENTIONS-DOCUMENT

VERSION: name of document with revision_level of entire document- level designates minor changes that do not require revision change

DATE: date of issue for copying and publication of document.

CHANGES: details of document revision_level.

REVISION CONVENTIONS-PAGES

DRAWING NO./REVISION: references actual engineering drawing revision used in this document. NOTE: item no. in this document BOM corresponds with item no. of referenced engineering drawing.

i.e. BOM title containing (18020-366rA) refers to drawing number (18020-366) and drawing revision (rA, B, ZZZ)

BOM:

Item number revision- signifies new addition to drawing

P/N revision- signifies part number change due to obsolescence, unavailability and/or major change of part

Qty revision- self-explanatory

Description revision- signifies change in part name

DRAWING:

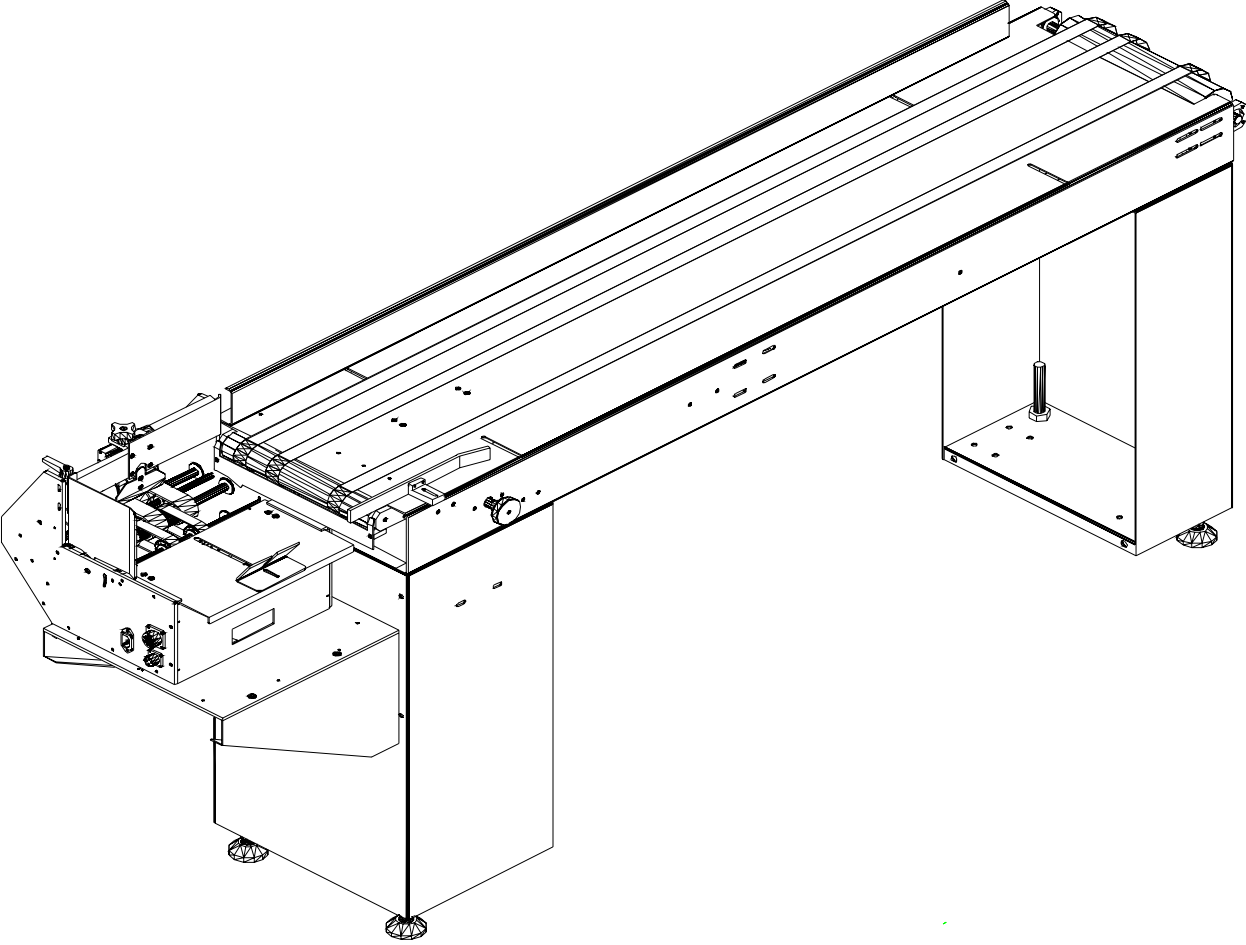
Figure number / revision- signifies the corresponding BOM in this document. Different revision figures are retained due to manufacturing changes made over time.

TABLE OF CONTENTS

FEEDMAX SYSTEM

FEEDMAX CONVEYOR (FIG. 1A & 1B)	4-7
LH PRODUCT GUIDE ASSEMBLY (FIG. 2)	8
ADJUSTABLE PULLEY-OUTER ASSEMBLY (FIG. 3A)	9
ADJUSTABLE RACK-UPPER ASSEMBLY (FIG. 3B)	10
ADJUSTABLE PULLEY-INNER ASSEMBLY (FIG. 3C)	11
ADJUSTABLE RACK-LOWER ASSEMBLY (FIG. 3D)	12
CRANK SHAFT ASSEMBLY (FIG. 3E)	13
IDLER SHAFT ASSEMBLY (FIG. 3F)	14
MAIN DRIVE ASSEMBLY (FIG. 4)	15
MOTOR ASSEMBLY (FIG. 5)	16
BELT GUIDE ASSEMBLY (FIG. 6)	17
FEEDMAX FEEDER (FIG. 7)	18-20
SEPARATOR WITH CROSSBAR (FIG. 8)	21
SHROUDLESS SEPARATOR (FIG. 8A)	22-23
NIP SHAFT ASSEMBLY (FIG. 9A)	24
FRONT SHAFT ASSEMBLY (FIG. 9B)	25
IDLER SUPPORT SHAFT ASSEMBLY (FIG. 9C)	26
MAIN SHAFT ASSEMBLY (FIG. 9D)	27
JACK SHAFT ASSEMBLY (FIG. 9E)	28
ELEVATOR SHAFT ASSEMBLY (FIG. 9F)	29
CAM SHAFT ASSEMBLY (FIG. 9G)	30
FEEDER MOTOR (FIG. 10)	31
FEEDER CHASSIS (FIG. 11)	32
RH SIDEFRAAME (FIG. 11A)	33
LH SIDEFRAAME (FIG. 11B)	34
VIBRATING TOP PLATE (FIG. 11C)	35
TRAILING ARM (LONG) (FIG. 12)	36
TENSIONER SHAFT (FIG. 13)	37
TENSIONER (FIG. 14)	38
SIDE GUIDE OPTIONS (FIG. 15)	39
REAR WEDGE OPTIONS (FIG. 16)	40
ELECTRICAL	
MASTER (FIG. 17)	41-42
DRIVE BOX (FIG. 17A)	43
CONTROL PANEL (FIG. 17B)	44
REMOTE PAUSE / E-STOP (FIG. 17C)	45
AN7 SENSOR (FIG. 17D)	46
FEEDER POWER CABLE (FIG. 17E)	47
POWER CABLE (FIG. 17F)	48
TRIGGER / E-STOP CABLE (FIG. 17G)	49

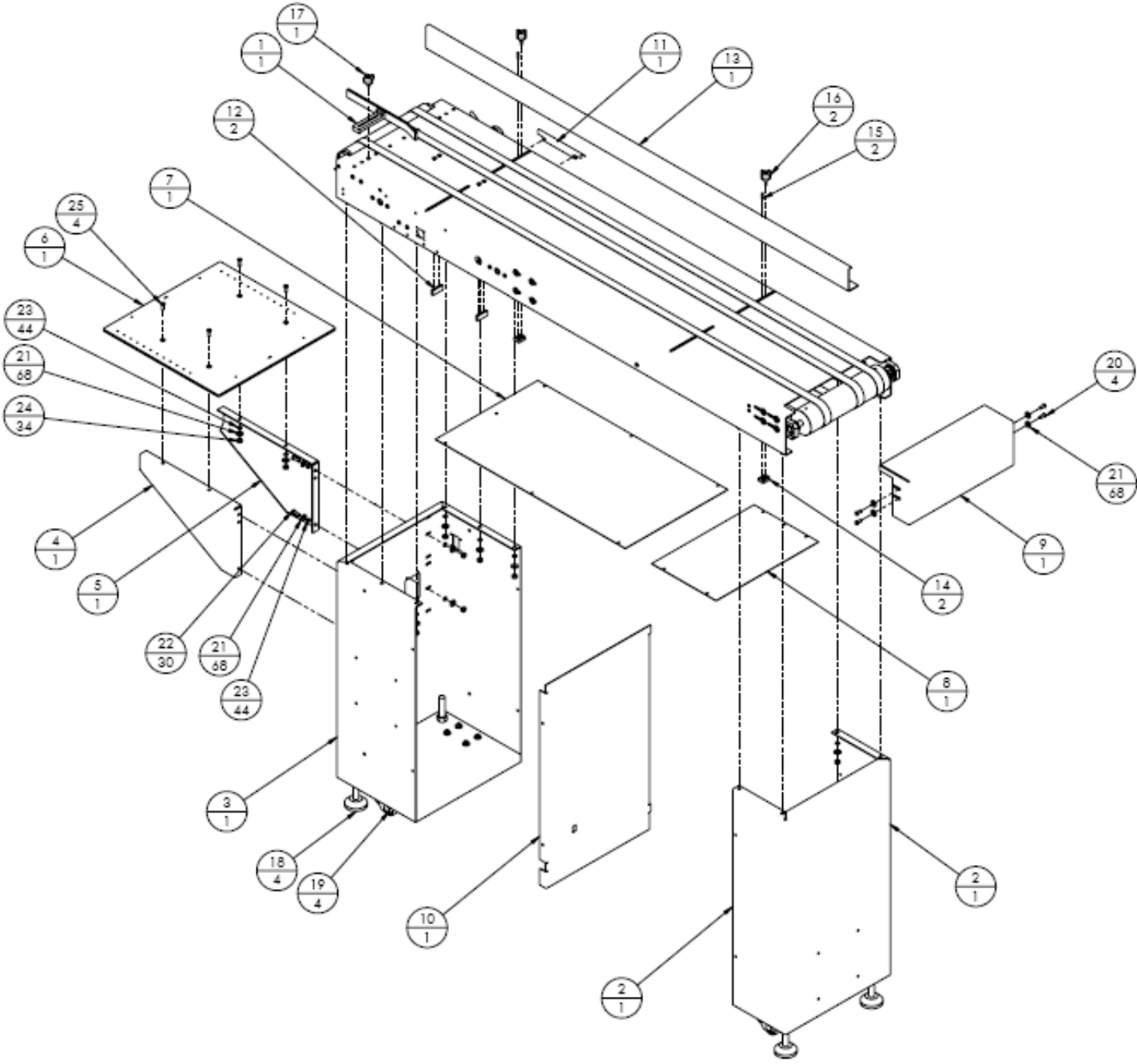
FEEDMAX SYSTEM



6' FEEDMAX CONVEYOR ASSEMBLY 12022-018 (Fig. 1A)

ITEM	PART NO.	QTY.	DESCRIPTION
1	SEE FIG. 2	1	ASSY, PRODUCT GUIDE, LH (16020-529)
2	12010-001	1	LEG, CONVEYOR IDLE-36"
3	12010-013	1	LEG, CONVEYOR DRIVE-36"
4	12010-011	1	SUPPORT, LH, FEEDER
5	12010-012	1	SUPPORT, RH, FEEDER
6	12011-041	1	PLATE, 16" FEEDMAX MTG
7	12002-009	1	COVER, BOTTOM 6'
8	12002-008	1	COVER, BOTTOM, 9' SMALL
9	12011-006	1	END CAP, IDLER
10	12013-014	1	GUARD, CONVEYOR DRIVE LEG
11	12009-006	1	BRACKET, ENCLOSURE MTG
12	12008-019	2	BAR, STOP
13	12005-023	1	GUIDE, RH SIDE
14	10007-074	2	NUT, PAPER SLIDE-SHORT
15	99006-020	2	PIN, ROLL. 5/32 X 3/4
16	99004-019	2	KNOB, MALE, #10-24
17	99004-011	1	KNOB, MALE, #10-32
18	99010-001	4	FOOT, ADJ, 5/8-11
19	99010-002	4	CASTER, 3"DIA X 2" WD
20	-	4	SCREW, BUTTON HD, 1/4-20 X 5/8
21	-	68	WASHER, FLAT, 1/4
22	-	30	BOLT, HEX HD, 1/4-20 X 3/4
23	-	44	WASHER, STAR, 1/4
24	-	34	NUT, HEX, 1/4-20
25	-	4	SCREW, FLAT HD, 1/4-20 X 3/4

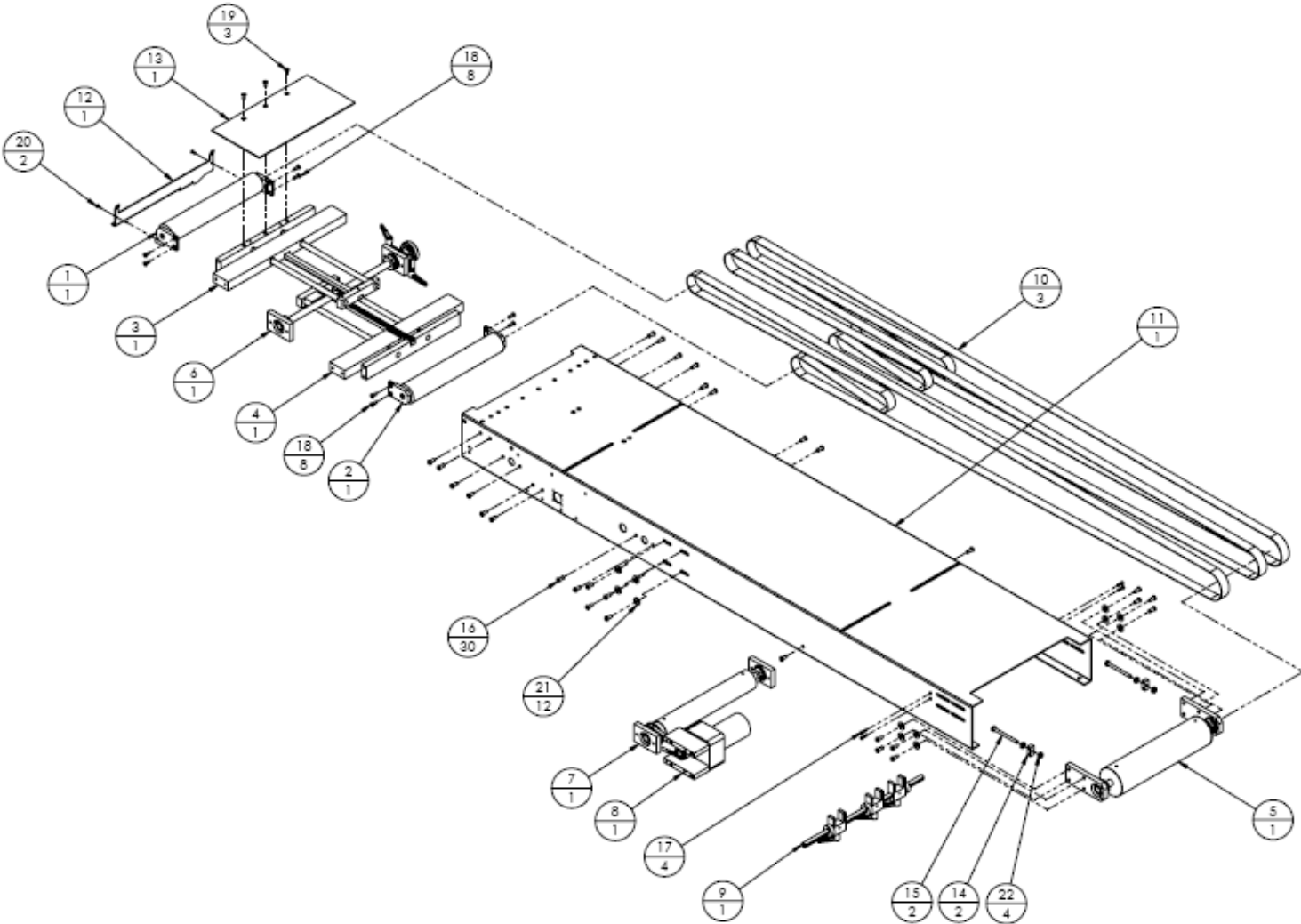
FIG. 1A



6' FEEDMAX CONVEYOR ASSEMBLY 12022-018 (Fig. 1B)

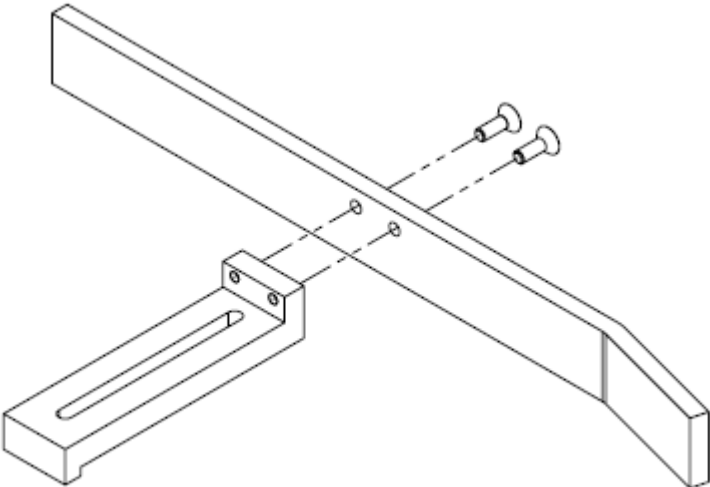
ITEM	PART NO.	QTY.	DESCRIPTION
1	SEE FIG. 3A	1	ASSY, ADJUSTABLE PULLEY-OUTER (12020-105)
2	SEE FIG. 3C	1	ASSY, ADJUSTABLE PULLEY- INSIDE (12020-106)
3	SEE FIG. 3B	1	ASSY, ADJUSTABLE RACK-UPPER (12020-011)
4	SEE FIG. 3D	1	ASSY, ADJUSTABLE RACK-LOWER (12020-012)
5	SEE FIG. 3F	1	ASSY, IDLER SHAFT (12020-015)
6	SEE FIG. 3E	1	ASSY, CRANK SHAFT (12020-013)
7	SEE FIG. 4	1	ASSY, MAIN DRIVE (12020-073)
8	SEE FIG. 5	1	ASSY, MOTOR-FEEDMAX CONV'R-TUV (12020-072)
9	SEE FIG. 6	1	ASSY, BELT GUIDE (12020-019)
10	99000-126	31	BELT, 1" X 143"
11	12000-016	1	SIDEFAME, FEEDMAX CONVEYOR, 6'
12	12005-022	1	GUIDE, REAR SIDE, RH
13	12011-028	1	PLATE, TOP EXTENSION
14	12007-002	2	BLOCK, TAKE-UP
15	-	2	BOLT, HEX HD, 1/4-20 X 3
16	-	30	SCREW, BUTTON HD, 1/4-20 X 5/8
17	-	4	SCREW, BUTTON HD, #10-24 X 5/8
18	-	8	SCREW, SKT FLAT HD, #10-24 X 5/8
19	-	3	SCREW, SKT FLAT HD, #10-24 X 1/2
20	-	2	SCREW, SKT FLAT HD, #6-32 X 3/8
21	-	12	WASHER, FLAT, 1/4
22	-	34	NUT, HEX, 1/4-20

FIG. 1B



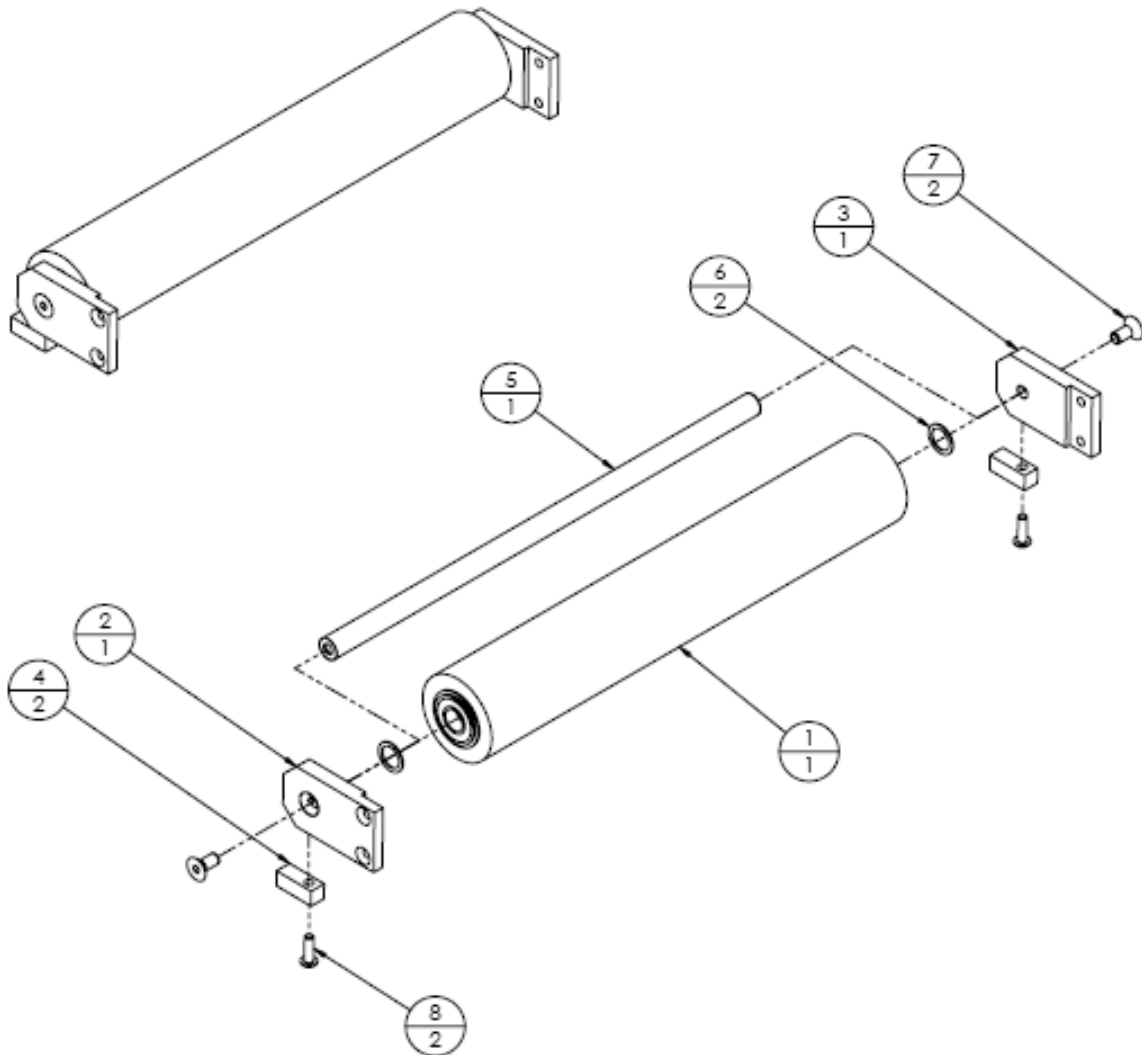
LH PRODUCT GUIDE ASSEMBLY 16020-529 (Fig. 2)

ITEM	PART NO.	QTY.	DESCRIPTION
1	12005-010	1	GUIDE, SIDE, LH
2	16007-016	1	BLOCK, SIDE GUIDE MTG
3	-	2	SCREW, FLAT HD, #8-32 X 1/2



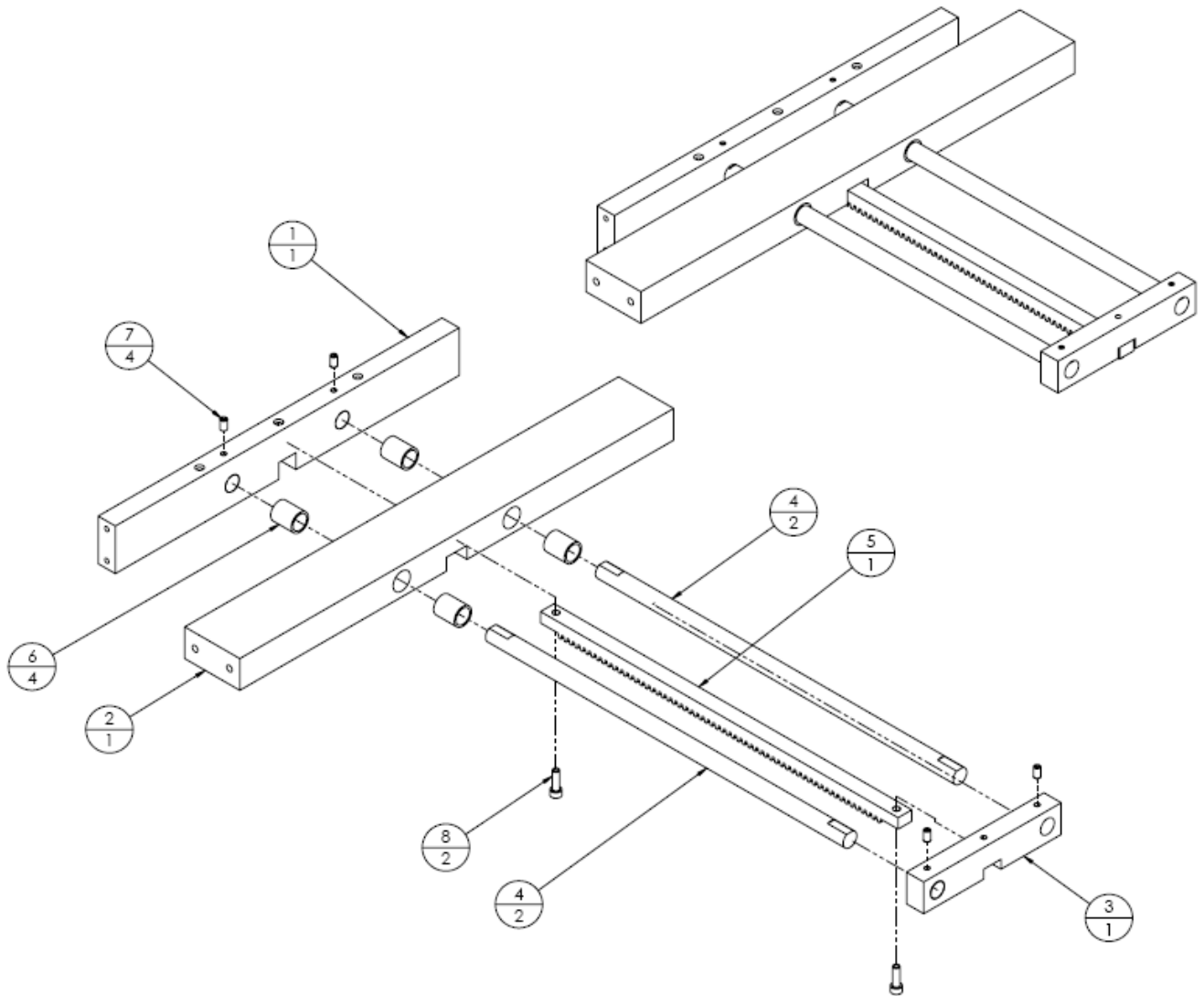
ADJUSTABLE PULLEY-OUTER ASSEMBLY 12020-105 (Fig. 3A)

ITEM	PART NO.	QTY.	DESCRIPTION
1	12020-075	1	ASSY, ADJUSTABLE PULLEY, OUTER
-	12006-015	1	PULLEY, IDLER, 2"DIA X 12" LG
-	99003-007	2	BEARING, 1/2"ID X 1-1/8"OD
2	12007-019	1	BLOCK, ADJ ROLLER MTG, LH
3	12007-020	1	BLOCK, ADJ ROLLER MTG, RH
4	12007-021	2	BLOCK, REAR SIDE GUIDE MTG, LH
5	12004-024	1	SHAFT, IDLER, 1/2"
6	99003-032	2	WASHER, NYLON, 1/2 X 1/32 THK
7	-	2	SCREW, SKT FLAT HD, 1/4-20 X 5/8
8	-	2	SCREW, BUTTON HD, #10-24 X 5/8



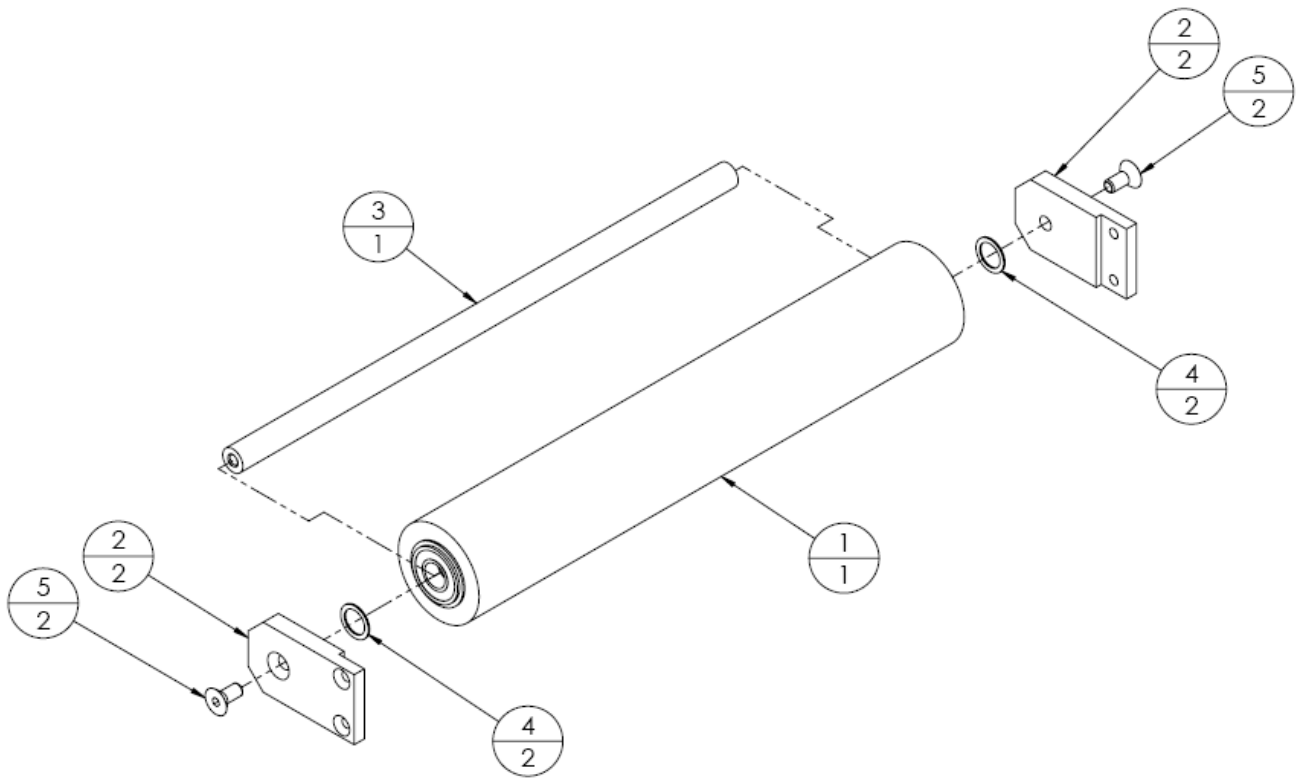
ADJUSTABLE RACK-UPPER ASSEMBLY 12020-011 (Fig. 3B)

ITEM	PART NO.	QTY.	DESCRIPTION
1	12008-018	1	BAR, ADJUSTABLE ROLLER MTG, OUTER
2	12003-002	1	CROSSBAR, SHAFT GUIDE
3	12008-016	1	BAR, GUIDE, SHAFT SUPPORT
4	12004-046	2	SHAFT, ROLLER ADJ
5	12008-029	1	RACK, 13"LG-ROLLER ADJ
6	99003-038	4	BUSHING, SLEEVE, 1/2 X 5/8 X 3/4
7	-	4	SET SCREW, #10-24 X 3/8
8	-	2	SCREW, SKT HD, #10-24 X 5/8



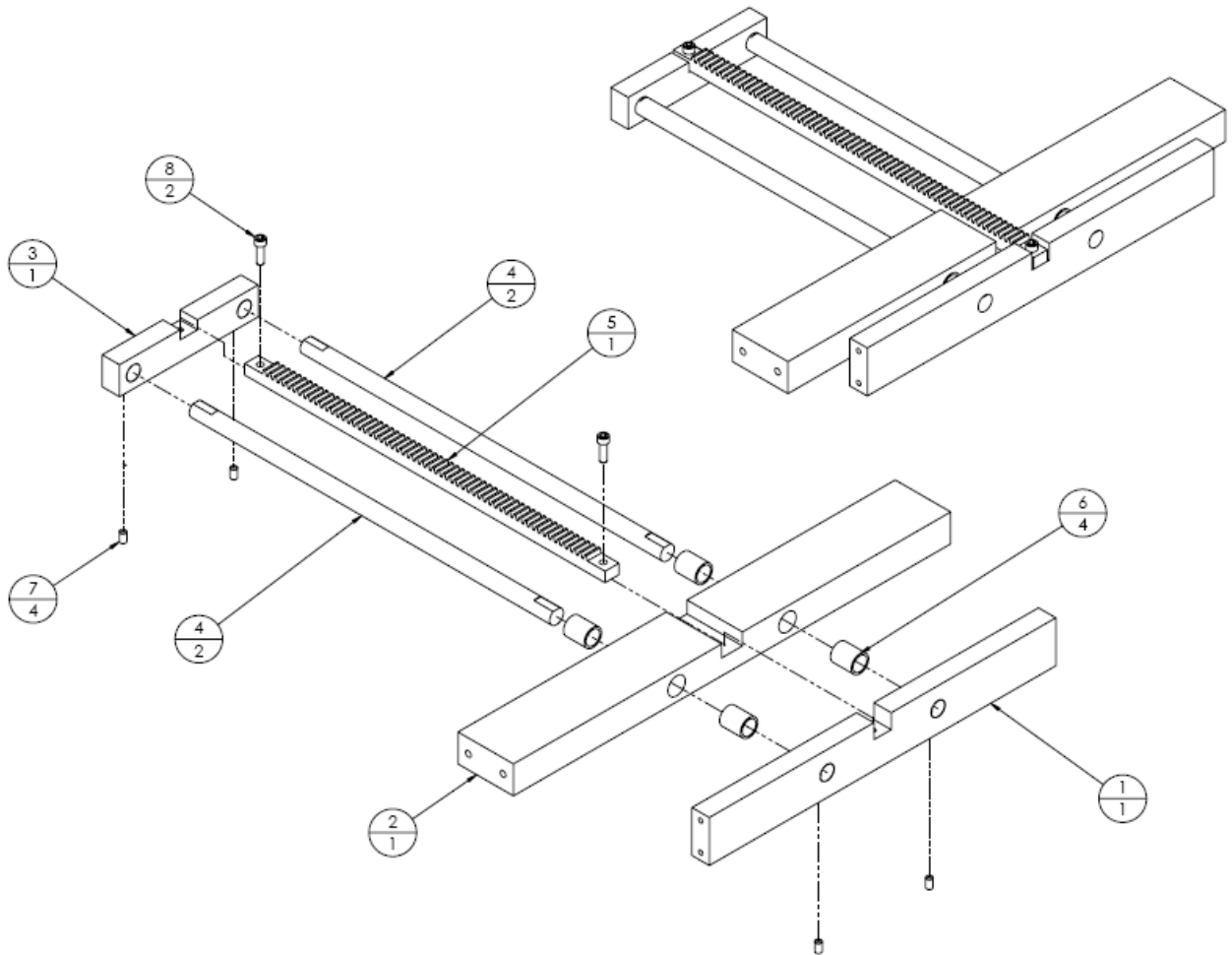
ADJUSTABLE PULLEY-INNER ASSEMBLY 12020-106 (Fig. 3C)

ITEM	PART NO.	QTY.	DESCRIPTION
1	12020-075	1	ASSY, ADJUSTABLE PULLEY, OUTER
-	12006-015	1	PULLEY, IDLER, 2" DIA X 12" LG
-	99003-007	2	BEARING, 1/2" ID X 1-1/8" OD
2	12007-023	2	BLOCK, ADJ ROLLER MTG, LH
3	12004-024	1	SHAFT, IDLER, 1/2"
4	99003-032	2	WASHER, NYLON, 1/2 X 1/32 THK
5	-	2	SCREW, SKT FLAT HD, 1/4-20 X 5/8



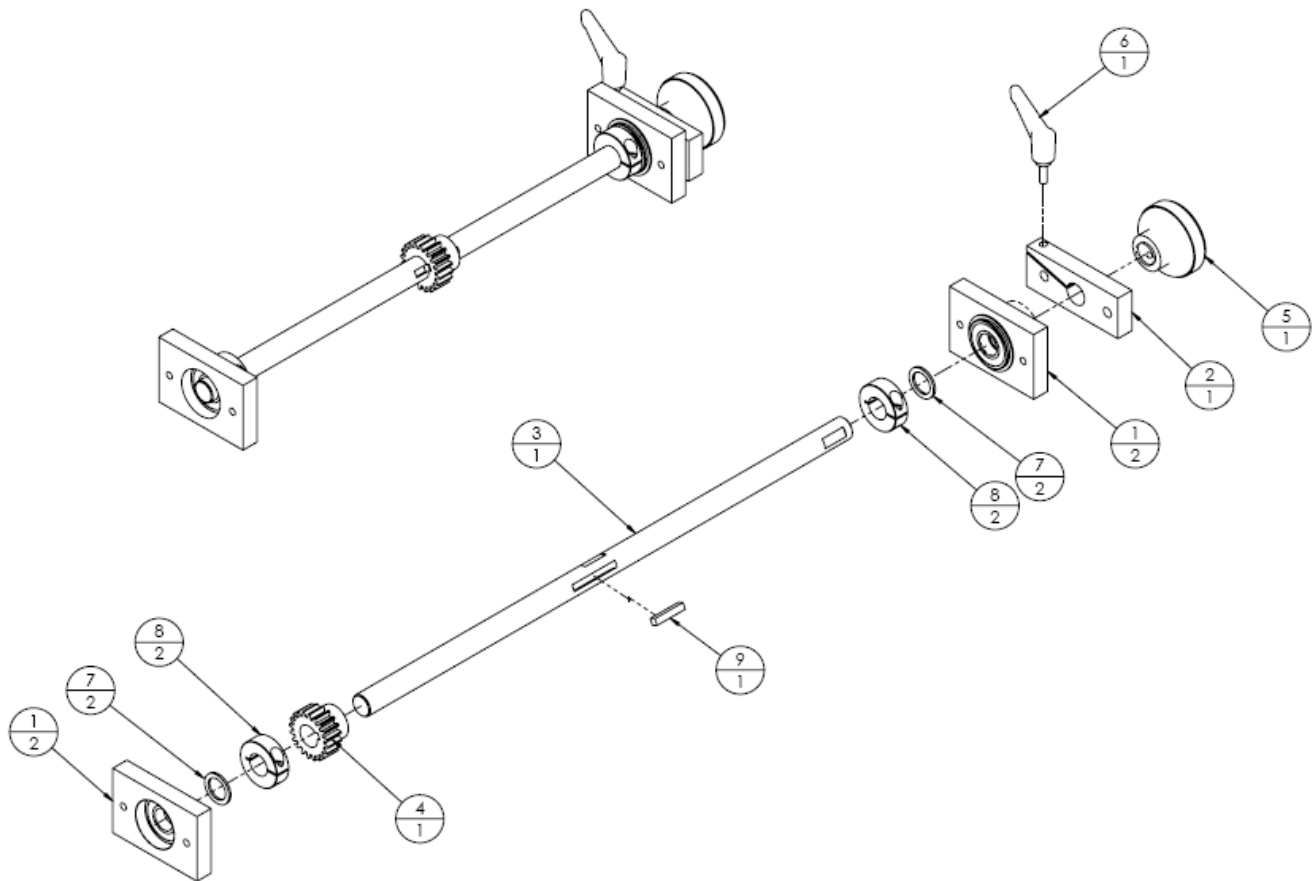
ADJUSTABLE RACK-LOWER ASSEMBLY 12020-012 (Fig. 3D)

ITEM	PART NO.	QTY.	DESCRIPTION
1	12008-015	1	BAR, ADJUSTABLE ROLLER MTG, INNER
2	12003-002	1	CROSSBAR, SHAFT GUIDE
3	12008-016	1	BAR, GUIDE, SHAFT SUPPORT
4	12004-046	2	SHAFT, ROLLER ADJ
5	12008-029	1	RACK, 13"LG-ROLLER ADJ
6	99003-038	4	BUSHING, SLEEVE, 1/2 X 5/8 X 3/4
7	-	4	SET SCREW, #10-24 X 3/8
8	-	2	SCREW, SKT HD, #10-24 X 5/8



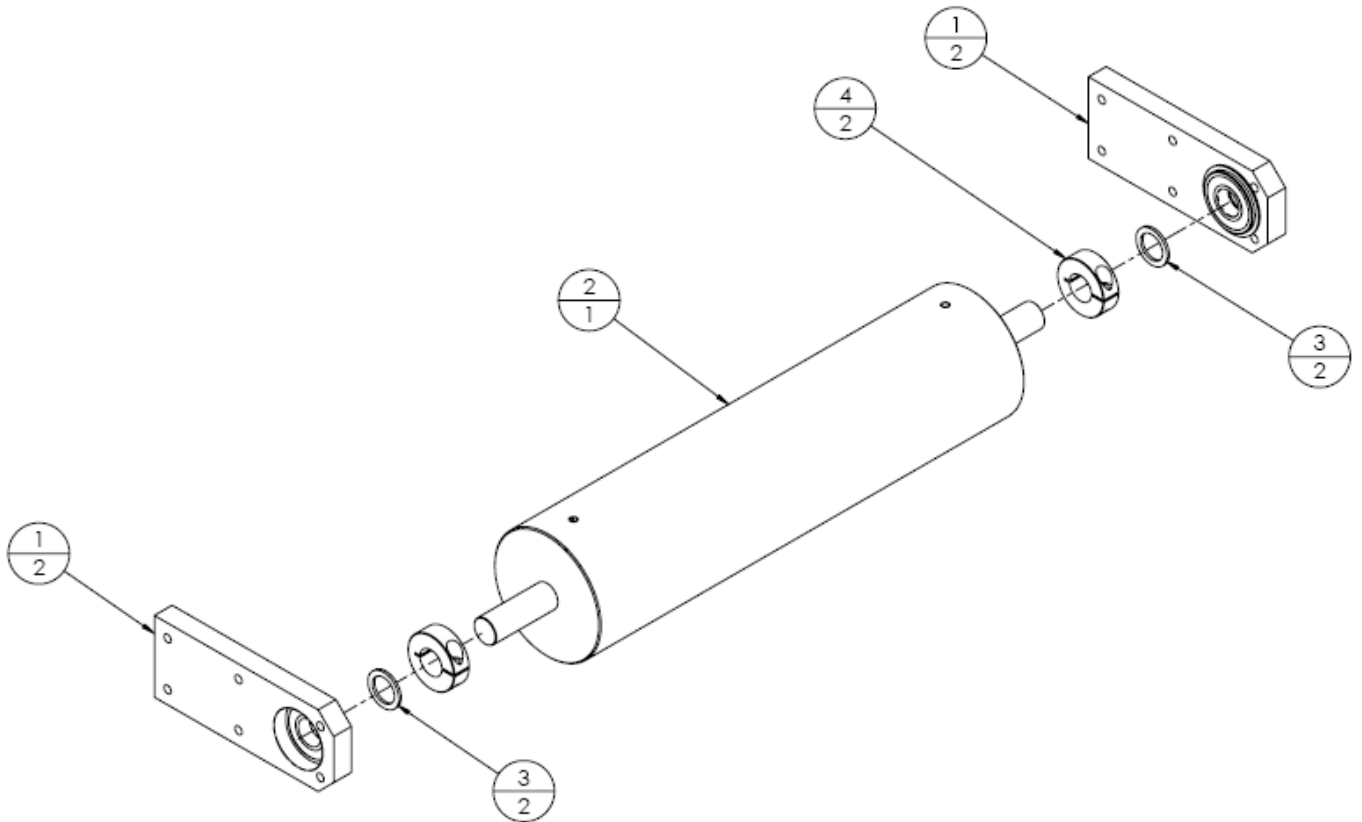
CRANK SHAFT ASSEMBLY 12020-013 (Fig. 3E)

ITEM	PART NO.	QTY.	DESCRIPTION
1	12020-077	2	ASSY, BEARING BLOCK
-	12007-022	1 EA	BLOCK, BEARING, 5/8
-	99003-006	1 EA	BEARING, 5/8"ID X 1-3/8"OD
2	12007-025	1	BLOCK, CLAMP
3	12004-023	1	SHAFT, CRANK, ADJUSTABLE ROLLER
4	99021-006	1	SPUR GEAR, 20T, 16 DP, 14.5 PA
5	12015-001	1	KNOB, ALUMINUM, 5/8 BORE
6	99004-003	1	HANDLE, RATCHET #10-24 X 1/2
7	99003-021	2	WASHER, NYLON 5/8 X 1/16 THK
8	99017-029	2	COLLAR, ONE PIECE CLAMP 5/8B
9	99034-002	1	KEY, SQUARE, 3/16 X 1"LG



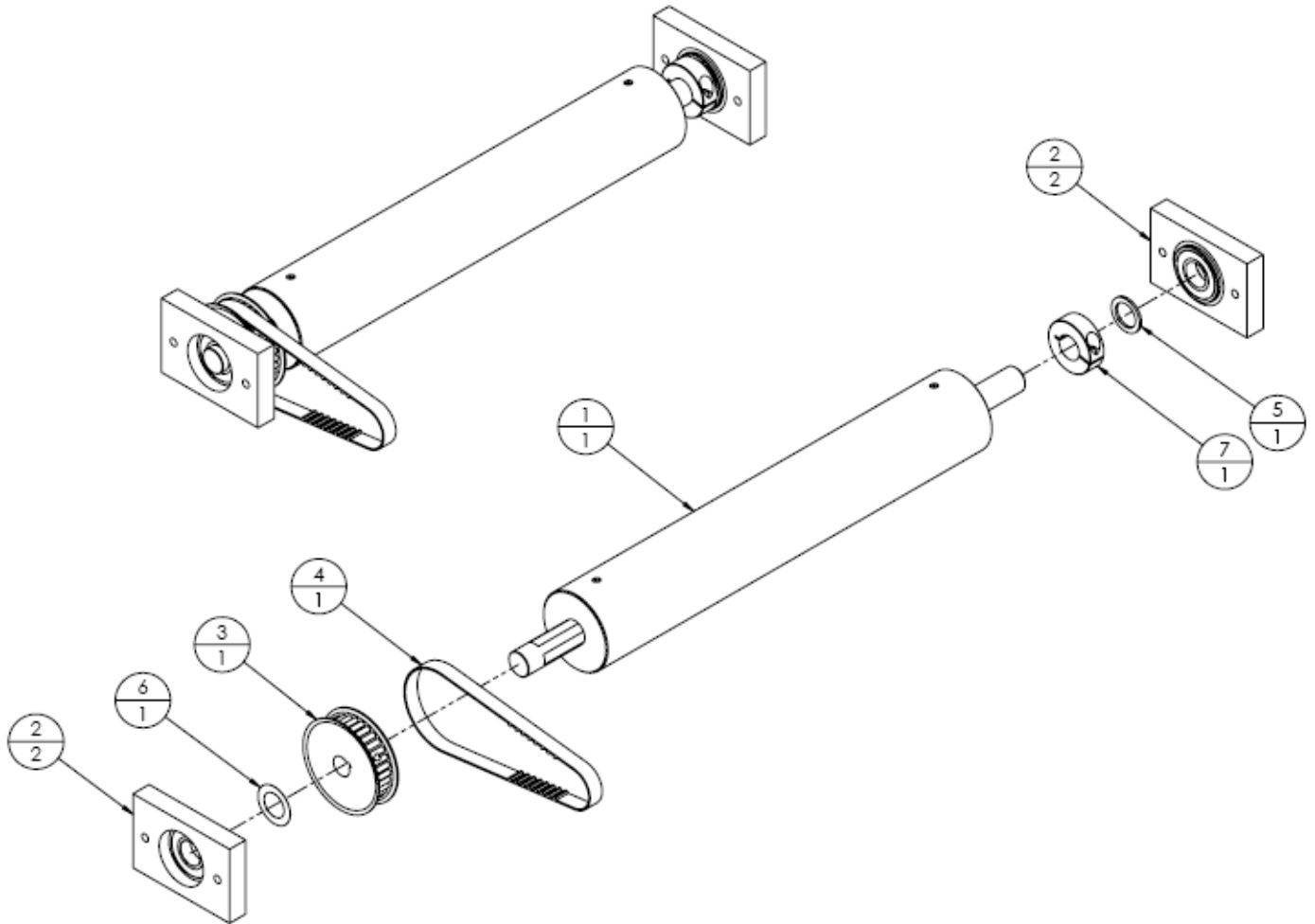
IDLER SHAFT ASSEMBLY 12020-015 (Fig. 3F)

ITEM	PART NO.	QTY.	DESCRIPTION
1	12020-080	2	ASSY, BEARING BLOCK, IDLER END
-	12007-001	1 EA	BLOCK, BEARING
-	99003-006	1EA	BEARING, 5/8"ID X 1-3/8"OD
2	12020-032	1	ASSY, 3" IDLER ROLLER
-	12004-025	2 EA	SHAFT, STUB IDLER
-	12006-017	1 EA	PULLEY, IDLER, 3"DIA X 12"LG
-	99006-056	2 EA	PIN, SPRING, 3/16 X 1'LG
3	99003-021	2	WASHER, NYLON, 5/8 X 1/16 THK
4	99017-029	2	COLLAR, ONE PIECE CLAMP, 5/8B



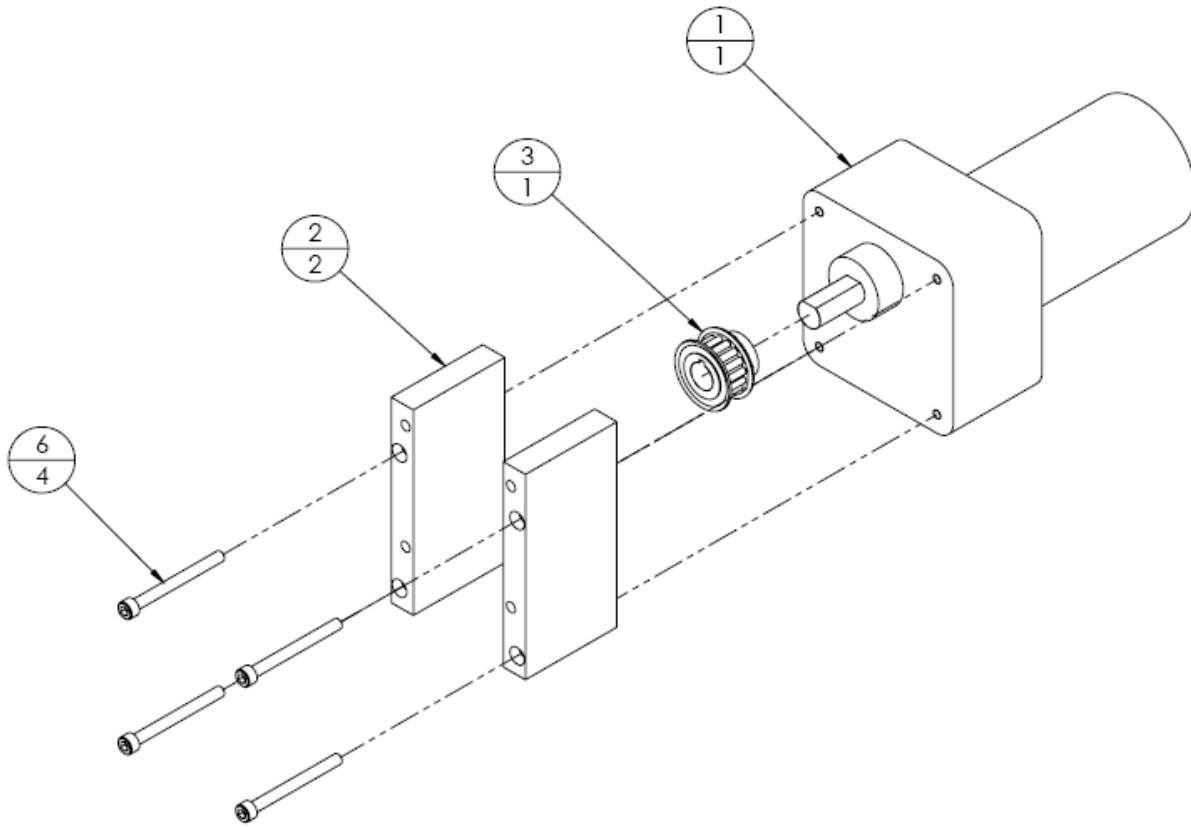
MAIN DRIVE ASSEMBLY 12020-073 (Fig. 4)

ITEM	PART NO.	QTY.	DESCRIPTION
1	12020-031	1	ASSY, 2" DRIVE ROLLER
-	12006-016	1 EA	PULLEY, DRIVE, 2"DIA X 12"LG
-	12004-022	1 EA	SHAFT, STUB IDLER W/ FLATS
-	12004-025	1 EA	SHAFT, STUB IDLER
-	99006-056	2 EA	PIN, SPRING, 3/16 X 1'LG
2	12020-077	2	ASSY, BEARING BLOCK
-	12007-022	1 EA	BLOCK, BEARING, 5/8
-	99003-006	1EA	BEARING, 5/8"ID X 1-3/8"OD
3	99002-155	1	PULLEY, TIMING, 32XL037 X-5/8B
4	99000-033	1	BELT, TIMING 130XL037
5	99003-021	1	WASHER, NYLON, 5/8 X 1/16 THK
6	99036-008	1	SHIM, STEEL, 5/8 X 1 X .006
7	99017-029	1	COLLAR, ONE PIECE CLAMP, 5/8B



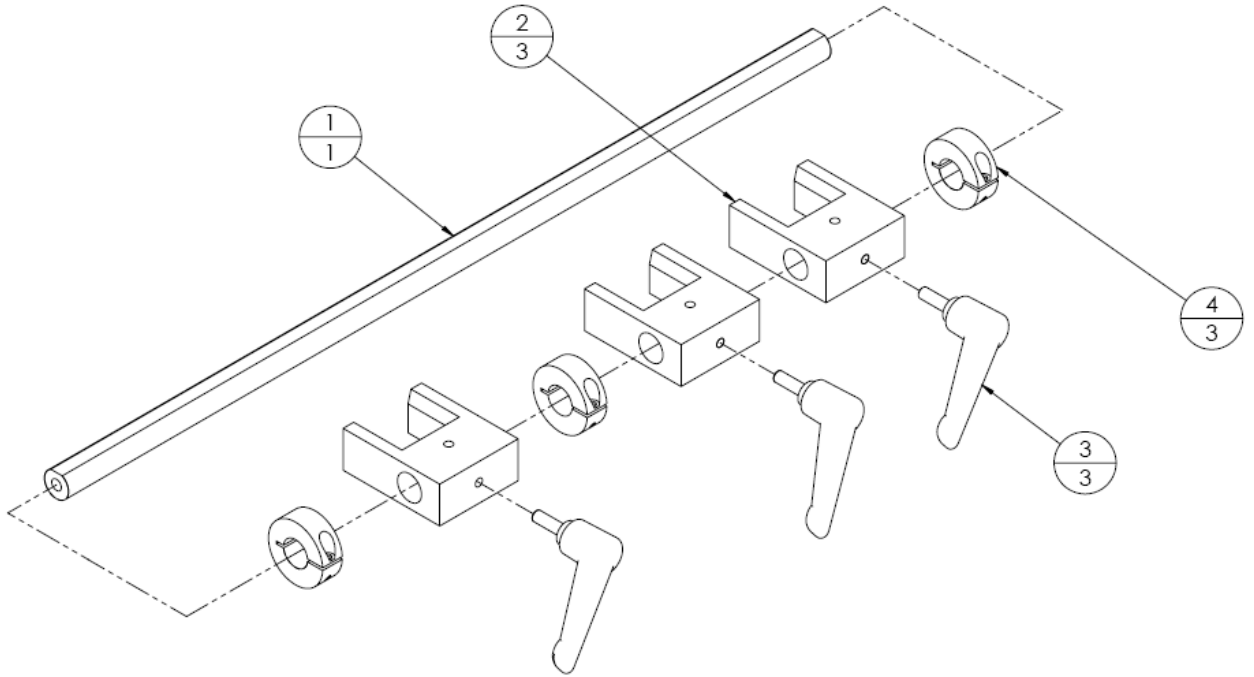
MOTOR ASSEMBLY 12020-072 (Fig. 5)

ITEM	PART NO.	QTY.	DESCRIPTION
1	99001-056	1	MOTOR, 1/29 HP, 42 RPM, 130VDC
2	12012-013	2	SPACER, MOTOR
3	99002-007	1	PULLEY, TIMING, 16XL037, 1/2B W/ KEYWAY
4	98016-023	1	CONNECTOR, 2-POS PLUG
5	98016-057	2	CONTACT, PIN, 24-18 AWG
6	-	2	SCREW, SKT HD, #10-24 X 5/8

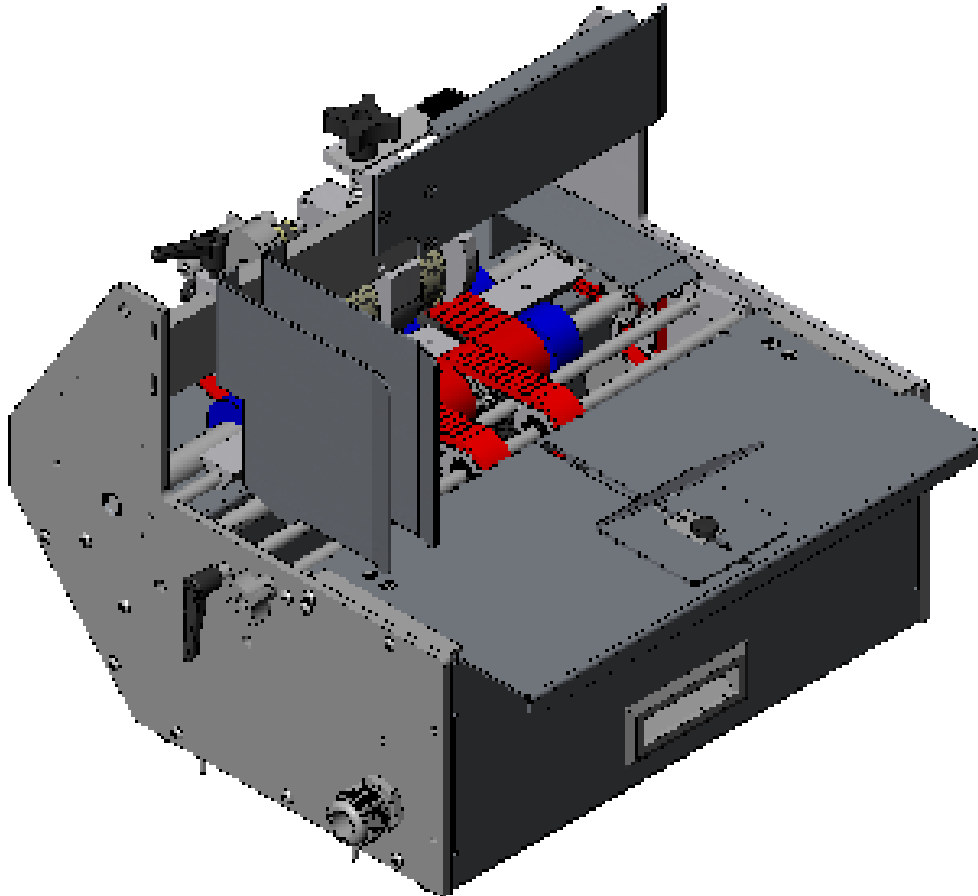


BELT GUIDE ASSEMBLY 12020-019 (FIG 6)

ITEM	PART NO.	QTY.	DESCRIPTION
1	12004-005	1	SHAFT, BELT GUIDE MTG.
2	12005-004	3	BELT GUIDE, 1"
3	99004-003	3	HANDLE, RATCHET, 10-24 X 1/2
4	99017-028	3	COLLAR, SET, 1/2



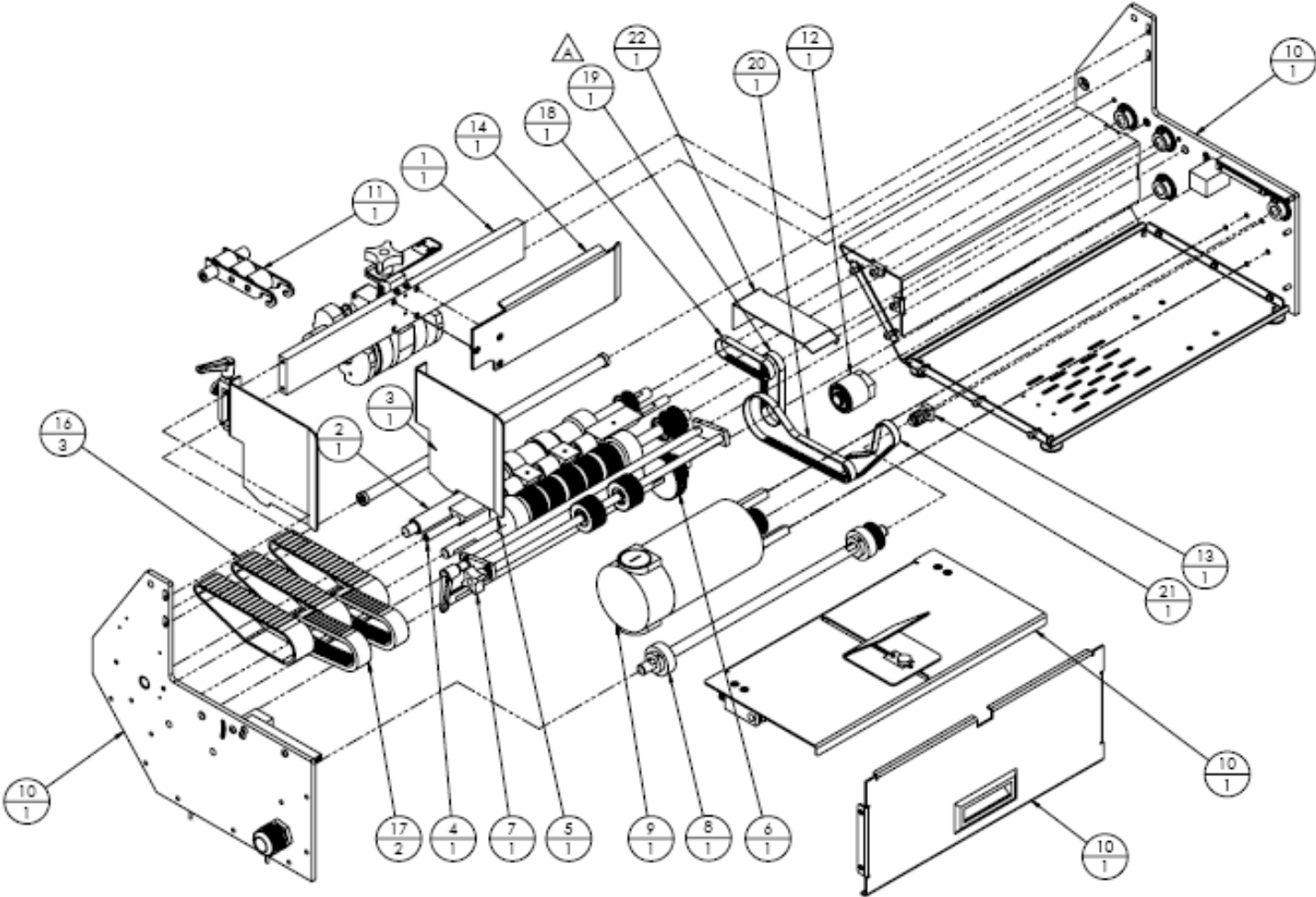
16" FEEDMAX FEEDER-TUV



FEEDMAX FEEDER ASSEMBLY 10022-035rA (Fig. 7)

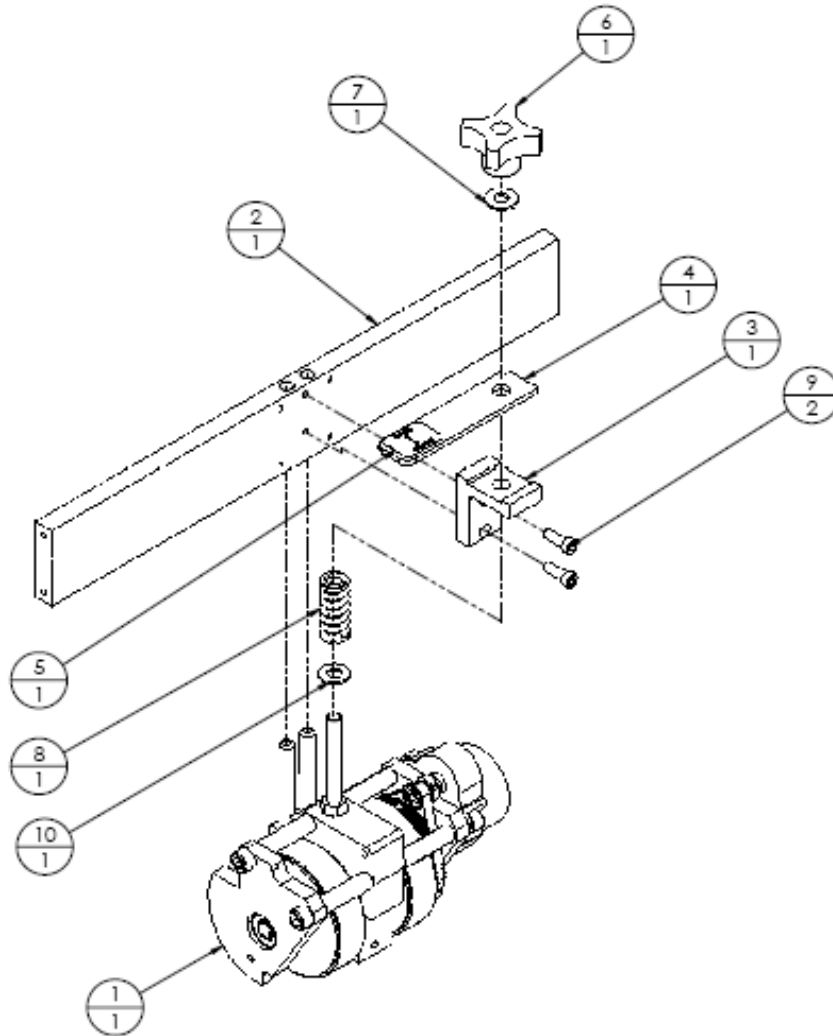
ITEM	PART NO.	QTY.	DESCRIPTION
1	10020-456rA	1	ASSY, SEPARATOR W/CROSSBAR (FIG 8)
2	10020-455	1	ASSY, NIP SHAFT, 3/4" (FIG 9A)
3	10020-282	1	ASSY, FRONT SHAFT (FIG 9B)
4	10020-386	1	ASSY, IDLER SUPPORT SHAFT (FIG 9C)
5	10020-387	1	ASSY, MAIN SHAFT (FIG 9D)
6	10020-388	1	ASSY, JACK SHAFT (FIG 9E)
7	10020-287	1	ASSY, ELEVATOR SHAFT-16" FMAX (FIG 9F)
8	10020-344	1	ASSY, CAM SHAFT (FIG 9G)
9	10020-432	1	ASSY, MOTOR-TUV (FIG 10)
10	10020-288	1	ASSY, CHASSIS (FIG 11)
11	10020-263	1	ASSY, TRAILING ARM (LONG) (FIG 12)
12	10020-131	1	ASSY, TENSIONER SHAFT (FIG 13)
13	10020-267	1	ASSY, TENSIONER (FIG 14)
14	10020-295	1	ASSY, SIDE GUIDE OPTIONS (FIG 15)
15	10020-134	1	ASSY, REAR WEDGE OPTIONS (FIG 16)
16	99000-133	3	BELT, RED GUM, GROOVED
17	99000-134	2	BELT, TIMING, ELEVATOR, GROOVED
18	99000-040	1	BELT, TIMING, 80XL037
19	99000-268	1	BELT, TIMING, 90XL037 (STEEL REINFORCED)
20	99000-027	1	BELT, TIMING, 160XL037
21	99000-002	1	BELT, TIMING, 110XL037
22	10013-050	1	COVER, RH DRIVE
N/S	10020-072	1	ASSY, TRAILING ARM OPTION (REF ITEM 11)

FIG. 7



ASSEMBLY, 24V SEPARATOR W/ CROSSBAR (10020-456rA)
(Fig. 8)

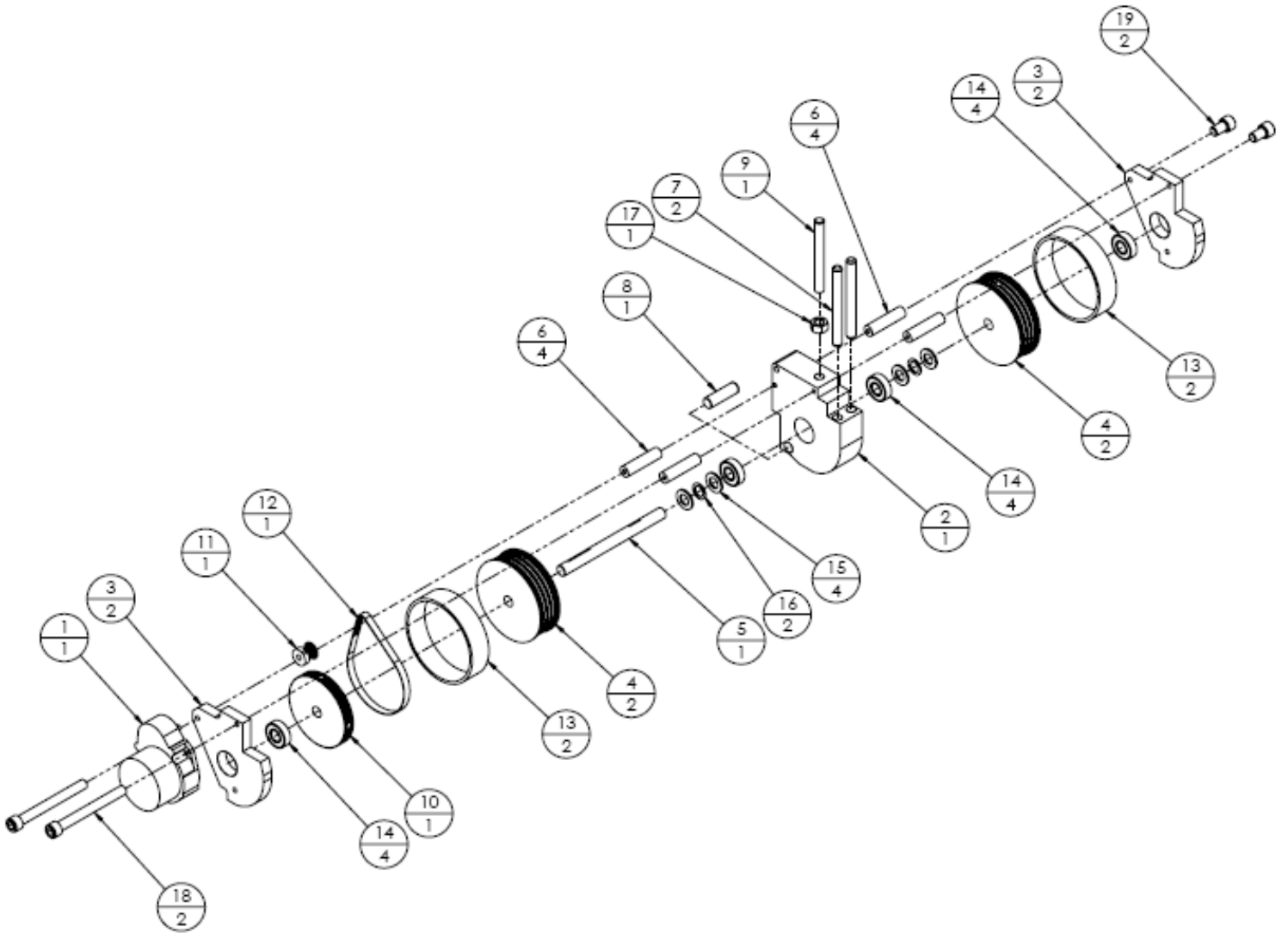
ITEM	PART NO.	QTY.	DESCRIPTION
1	10020-513	1	ASSY, SEPARATOR, SHROUDLESS (FIG 8A)
2	10003-018	1	CROSSBAR, 16" FMAX
3	10007-010	1	BLOCK, SEPARATOR ADJ
4	10008-024	1	BAR,SEPARATOR RELEASE
5	18017-008	1	LABEL, FEEDER SEPARATOR ADJ
6	99004-001	1	KNOB, 5/16-24, FEMALE
7	99003-015	1	WASHER, NYLON, 5/16 X 1/16
8	99005-045	1	SPRING, SEPARATOR
9	-	2	SCREW, SKT HD, #10-24 X 5/8
10	-	1	FLAT WASHER, 5/16



SEPARATOR, SHROUDLESS 10020-513r0 (FIG 8A)

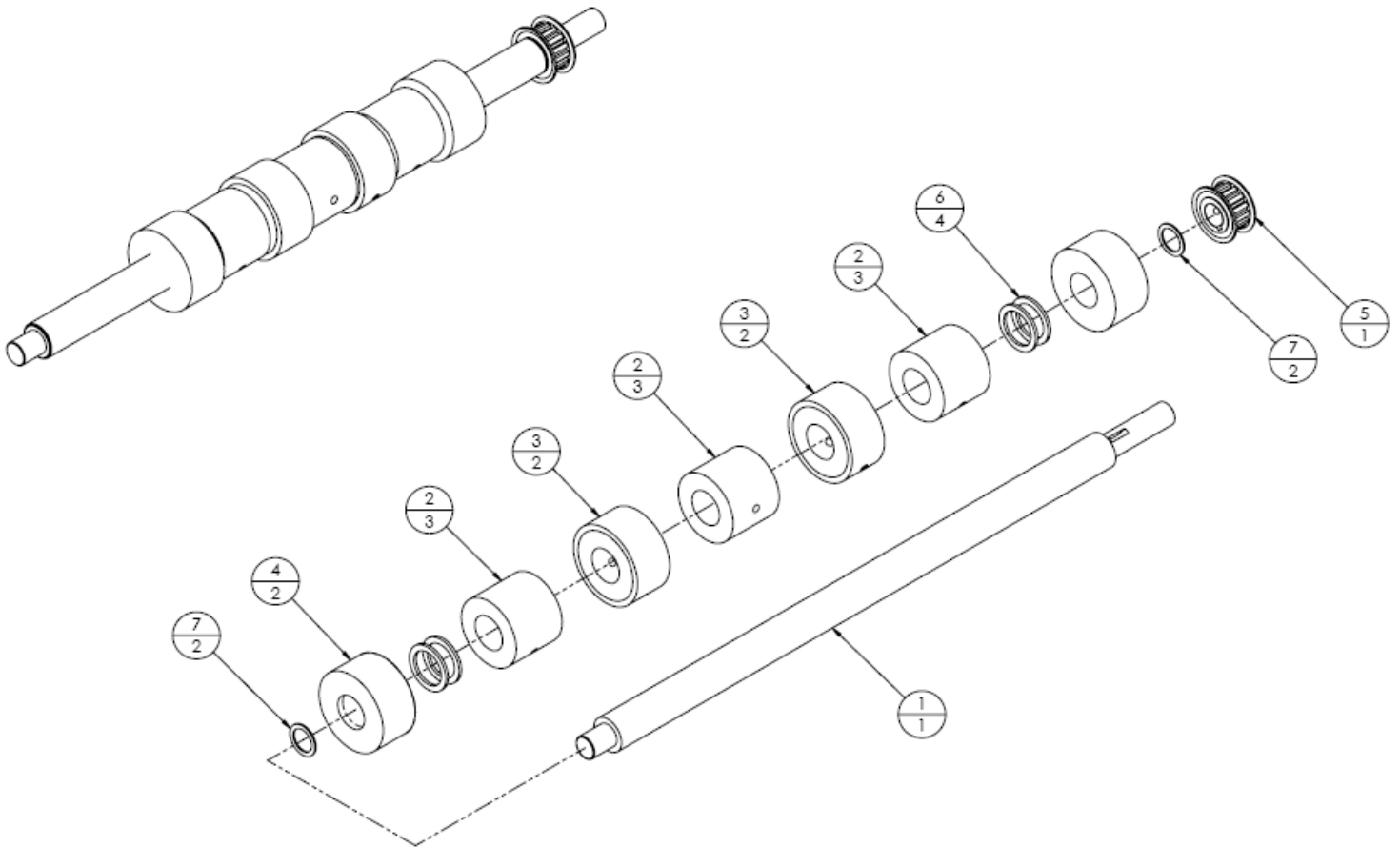
ITEM	PART NO.	QTY.	DESCRIPTION
1	10018-032	1	ASSY, MOTOR SEPARATOR, 60 HZ
-	99001-018	1 EA	MOTOR, SEPARATOR, 24 VAC
-	98020-029	1	CAPACITOR, 60 HZ
2	10007-142	1	BLOCK, SEPARATOR (SHROUDLESS)
3	10011-083	2	PLATE, SEPARATOR MOTOR MTG
4	10006-001	2	WHEEL, SEPARATOR 3" DIA.
5	10004-264	1	SHAFT, SEPARATOR
6	10012-002	4	STANDOFF, SEPARATOR MOTOR
7	99006-002	2	PIN, DOWEL, 5/16 X 3
8	99006-001	1	PIN, DOWEL, 3/8 X 1-1/4
9	10004-028	1	STUD, SEPARATOR ADJUSTING
10	99002-001	1	PULLEY, TIMING, 100MXL025, 3/8B
11	99002-002	1	PULLEY, TIMING, 16MXL025, 3/16B
12	99000-006	1	BELT, TIMING, 115MXL025
13	10014-001	2	BELT, SEPARATOR 3"
14	99003-001	4	BEARING, 3/8 X 7/8, SHIELDED
15	99003-017	4	WASHER, NYLON, 3/8 X 1/16 THK
16	99003-016	2	WASHER, NYLON 3/8 X 1/32 THK
17	-	1	NUT, HEX 5/16-24
18	-	2	SCREW, SKT HD, #6-32 X 2-1/2
19	-	2	SCREW, SKT HD, #6-32 X 2-1/4

FIG. 8A



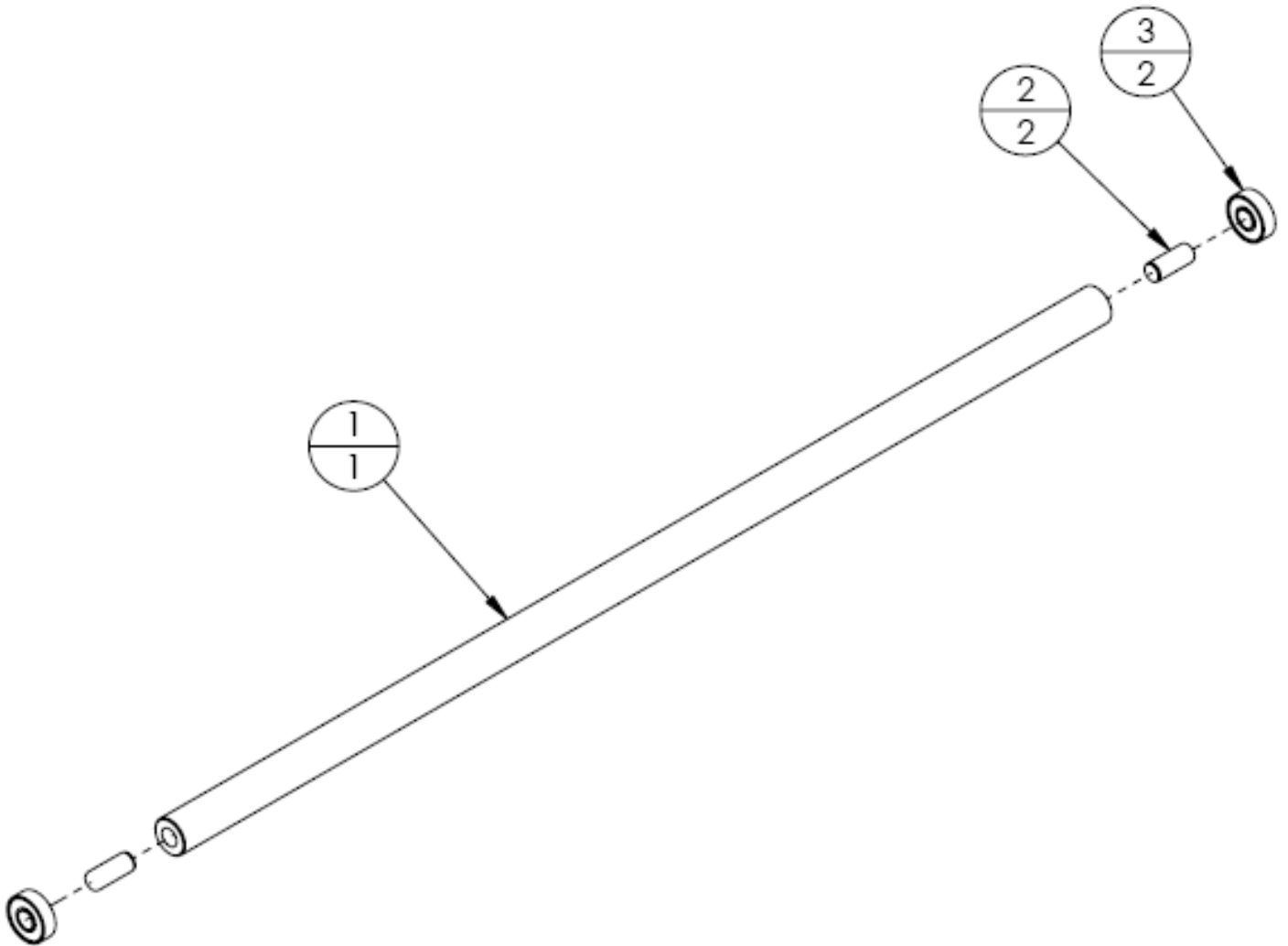
FEEDMAX FEEDER NIP SHAFT 10020-455 (Fig. 9A)

ITEM	PART NO.	QTY.	DESCRIPTION
1	10004-171	1	SHAFT, NIP ROLLER, 3/4
2	10006-071	3	PULLEY, MATE, 3/4 BORE
3	10006-070	2	ROLLER, NIP, 3/4 BORE
4	10006-069	2	ROLLER, FEEDER, 3/4 BORE
5	99002-149	1	PULLEY, TIMING, 15XL037, 1/2 B
6	99003-082	4	WASHER, NYLON, 3/4 X 1/16
7	99003-032	5	WASHER, NYLON, 1/2 X 1/32



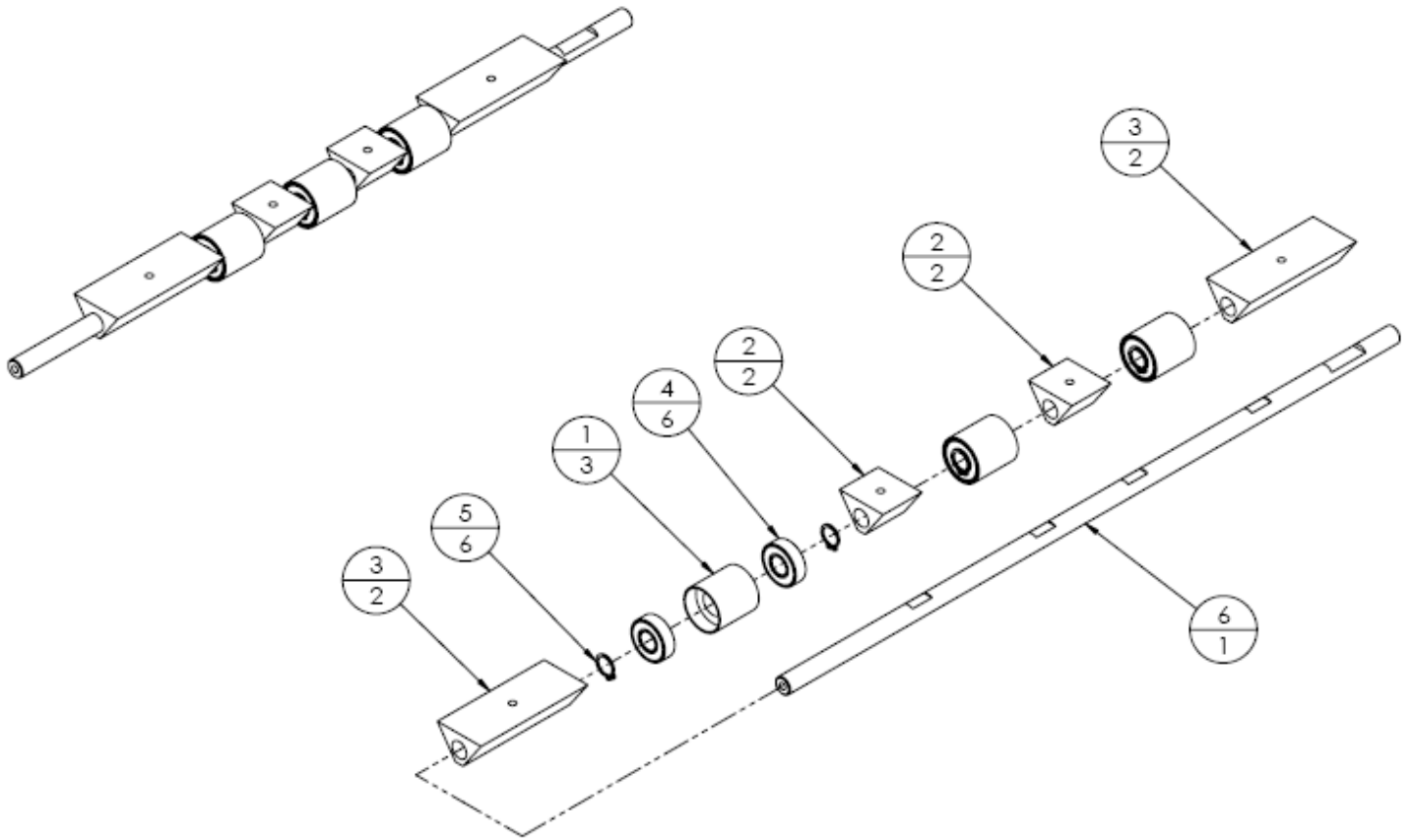
FEEDMAX FEEDER FRONT SHAFT 10020-282 (Fig. 9B)

ITEM	PART NO.	QTY.	DESCRIPTION
1	10004-161	1	SHAFT, FRONT
2	99006-028	2	PIN, DOWEL, 1/4"Ø X 5/8
3	99003-056	2	R4RS BEARING, 1/4" ID X 5/8 OD



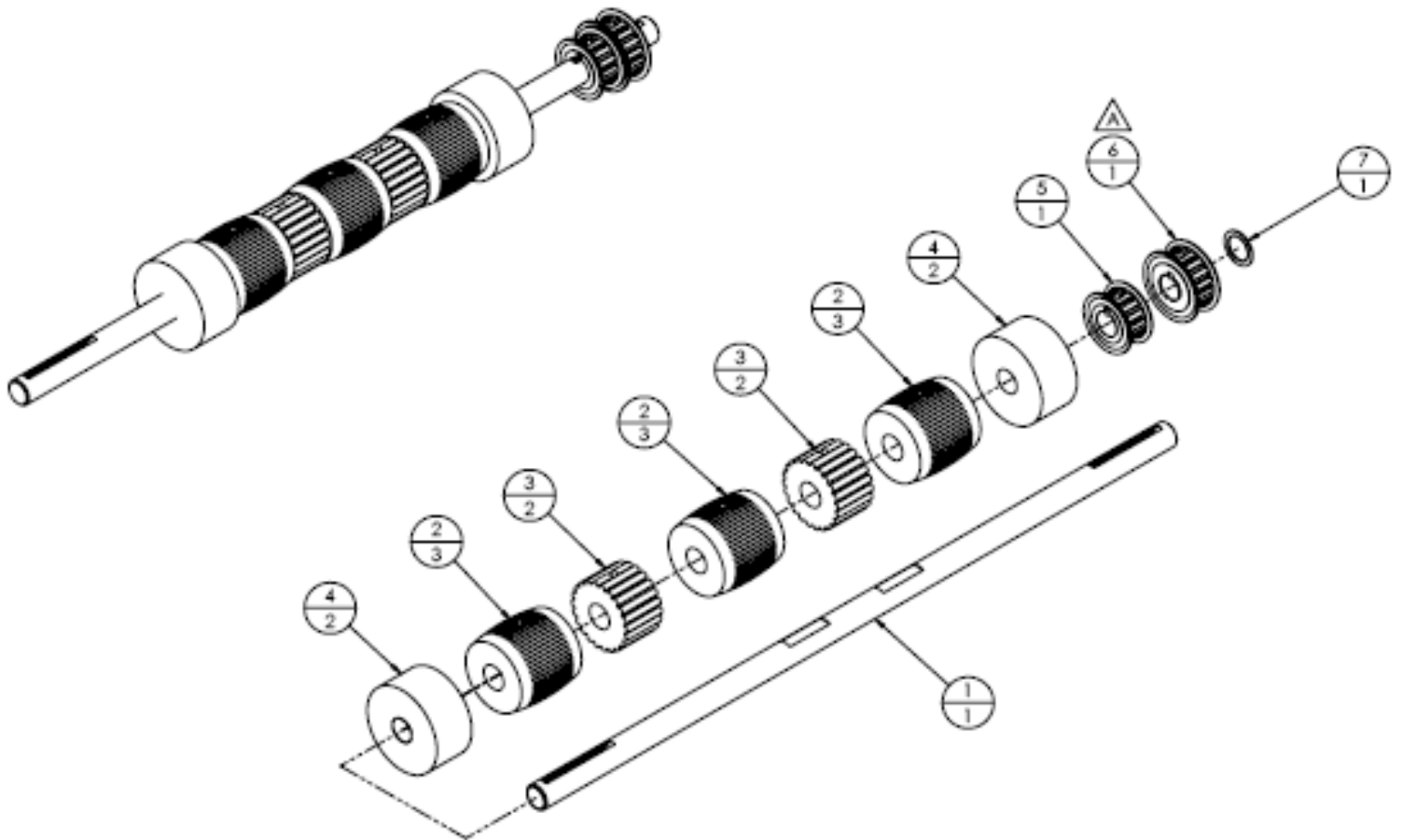
FEEDMAX FEEDER IDLER SUPPORT SHAFT 10020-386 (Fig 9C)

ITEM	PART NO.	QTY.	DESCRIPTION
1	10006-012	3	ROLLER IDLER
2	10007-130	2	BLOCK, PINCH POINT-1"
3	10007-131	2	BLOCK, PINCH POINT-2-3/4"
4	99003-001	6	BEARING, SEALED, 3/8" ID X 7/8 OD
5	99022-003	6	SNAP RING, 3/8
6	10004-254	1	SHAFT, SUPPORT IDLER



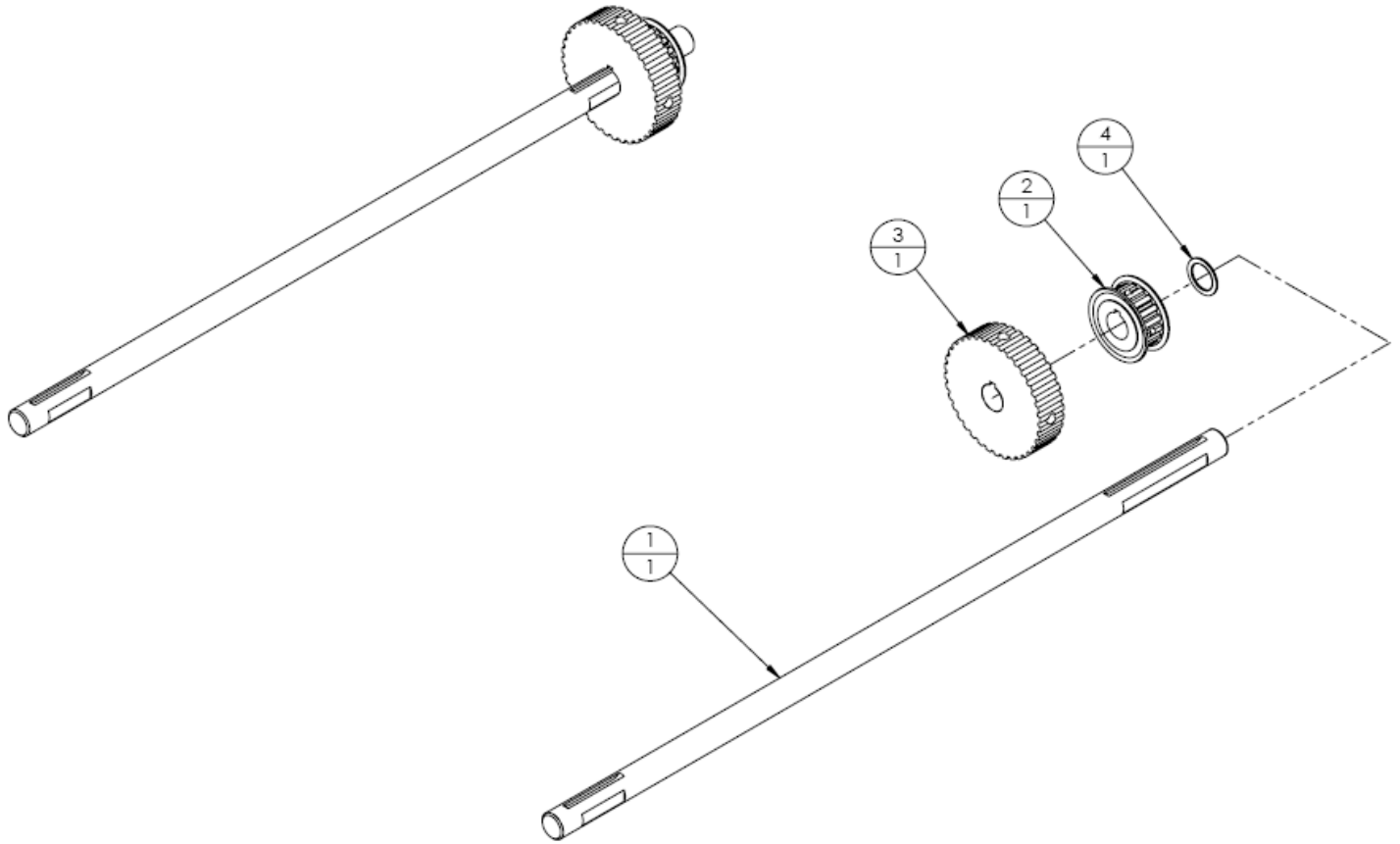
FEEDMAX FEEDER MAIN SHAFT 10020-387rA (Fig. 9D)

ITEM	PART NO.	QTY.	DESCRIPTION
1	10004-164	1	SHAFT, ELEVATOR DRIVE
2	10006-018	3	PULLEY, CROWNED
3	10006-021	2	PULLEY, ELEVATOR DRIVE
4	10006-007	2	ROLLER, FEEDER, 1/2 BORE
5	99002-149	1	PULLEY, TIMING, 15XL037, 1/2 B
6	99002-026	1	PULLEY, TIMING, 18XL037, 1/2 B W/KEYWAY
7	99003-032	1	WASHER, NYLON, 1/2 X 1/32
	-	10	SETSCREW, FLAT, #10-32 X 3/8 (ITEM #2, 3)
	-	4	SETSCREW, FLAT, #8-32 X 1/8 (ITEM #5, 6)



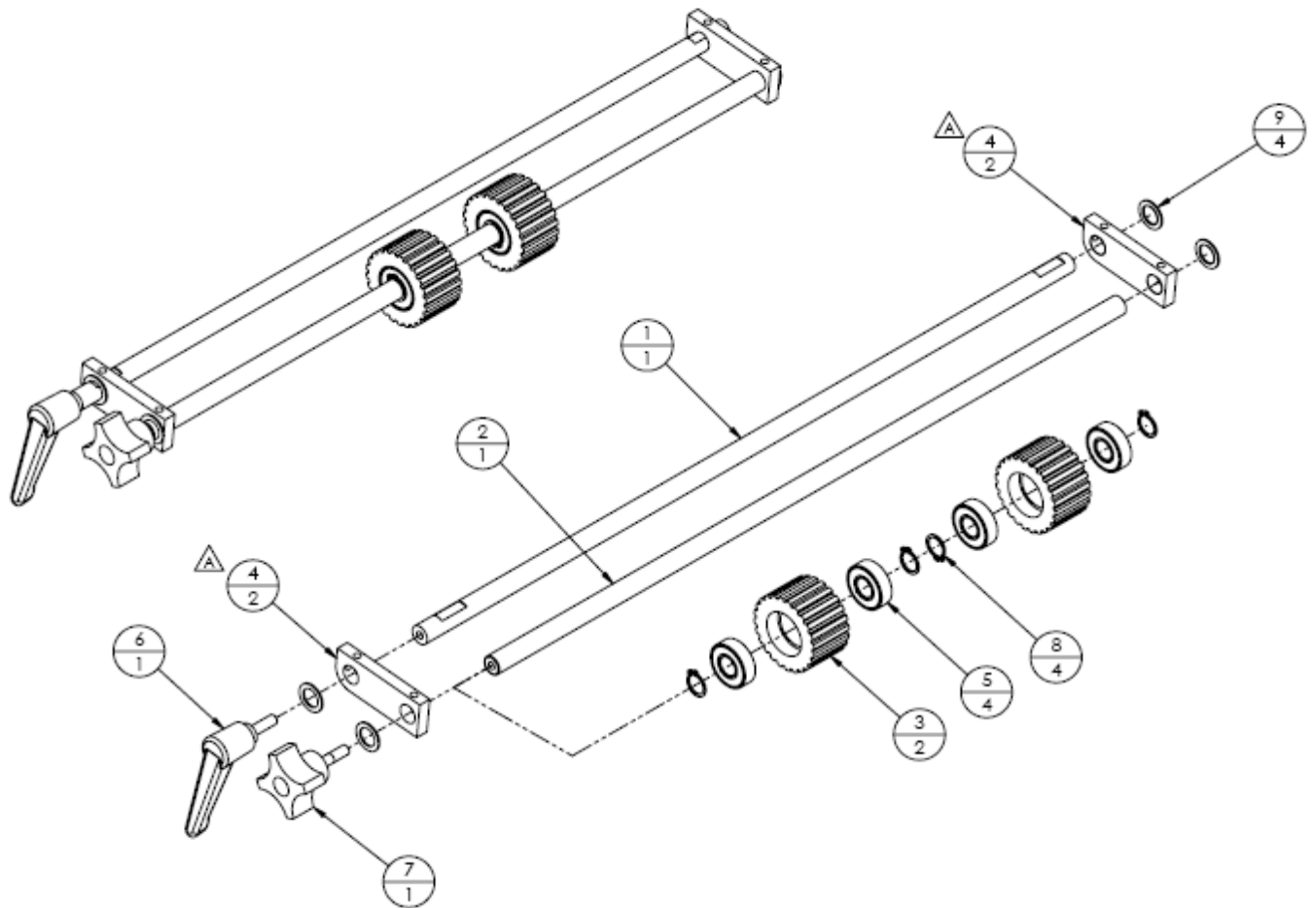
FEEDMAX FEEDER JACK SHAFT 10020-388 (Fig. 9E)

ITEM	PART NO.	QTY.	DESCRIPTION
1	10004-212	1	SHAFT, CAM
2	99002-026	1	PULLEY, TIMING, 18XL037, 1/2 B W/KEYWAY
3	10006-066	1	PULLEY, 36XL037, 1/2 B
4	99003-032	1	WASHER, NYLON, 1/2 X 1/32



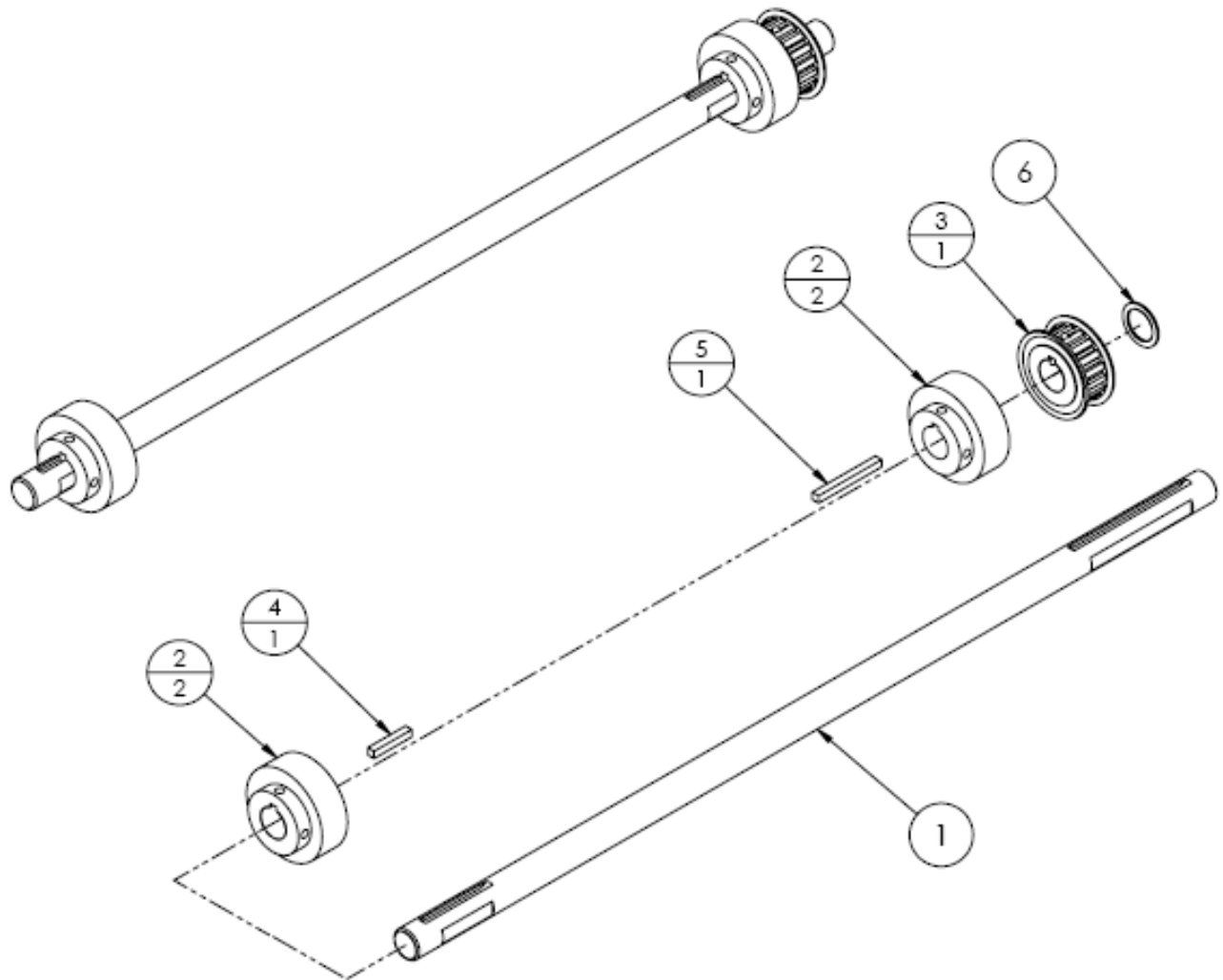
FEEDMAX FEEDER ELEVATOR SHAFT 10020-287rA (Fig. 9F)

ITEM	PART NO.	QTY.	DESCRIPTION
1	10004-166	1	SHAFT, ELEVATOR ADJ
2	10004-163	1	SHAFT, IDLER SUPPORT
3	10006-022	2	PULLEY, ELEVATOR IDLER
4	10007-068	2	BLOCK, ELEVATOR BELT ADJ
5	99003-001	4	BEARING, SEALED, 3/8 X 7/8
6	99004-003	1	HANDLE, RATCHET, #10-24 X 5/8
7	99004-019	1	KNOB, #10-24 MALE
8	99022-003	4	SNAP RING, 3/8
9	99003-016	1	WASHER, NYLON, 3/8 X 1/32
	-	10	SETSCREW, FLAT, #8-32 X 1/4 (ITEM #4)



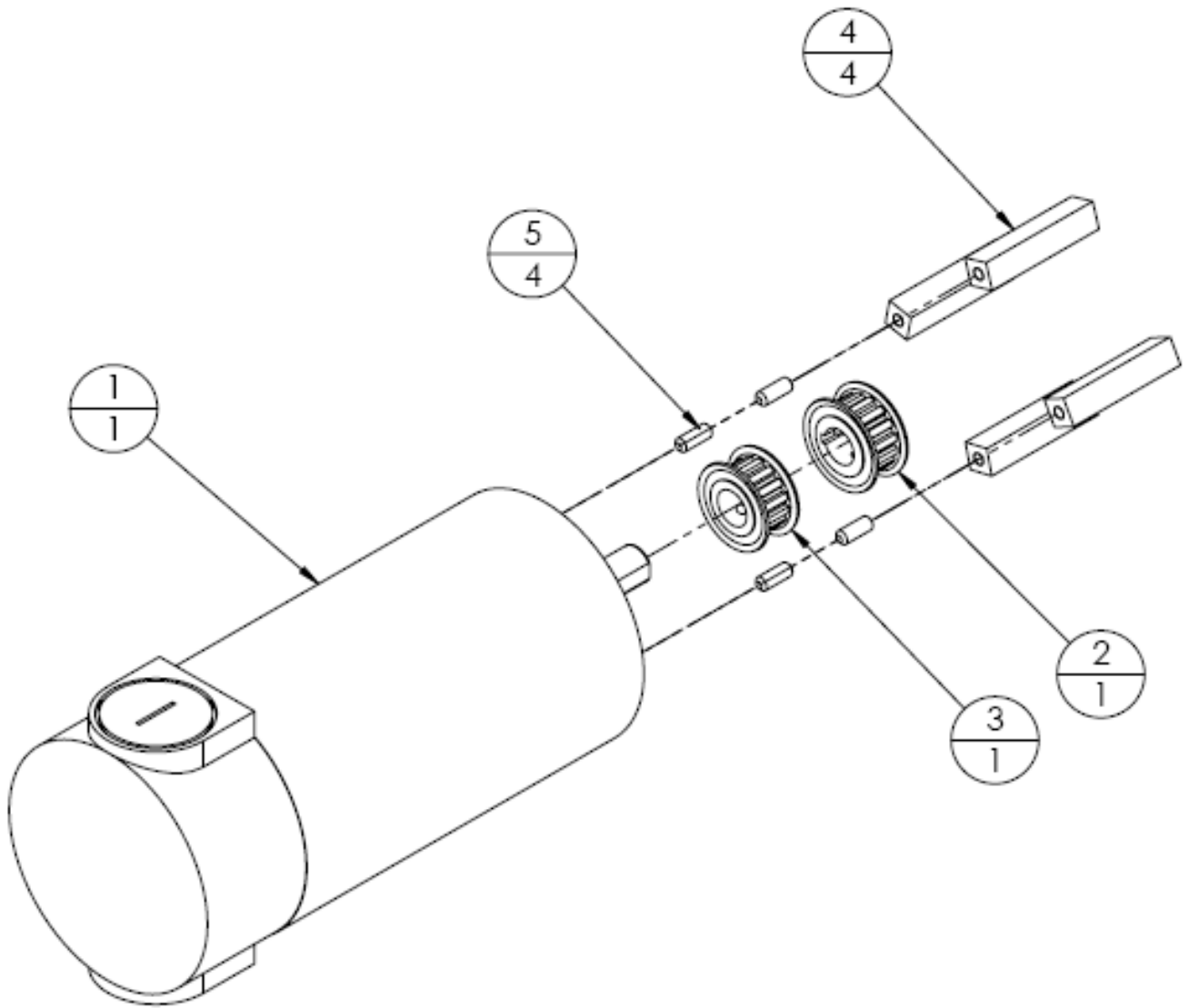
FEEDMAX FEEDER CAM SHAFT 10020-344 (Fig. 9G)

ITEM	PART NO.	QTY.	DESCRIPTION
1	10004-212	1	SHAFT, CAM
2	10006-048	2	CAM, VIBRATING TOP PLATE
3	99002-026	1	PULLEY, TIMING, 18XL037, 1/2 B W/KEYWAY
4	99034-003	1	KEY, SQUARE, 1/8 X 3/4
5	99034-005	1	KEY, SQUARE, 1/8 X 1-1/4
6	99003-032	1	WASHER, NYLON, 1/2 X 1/32



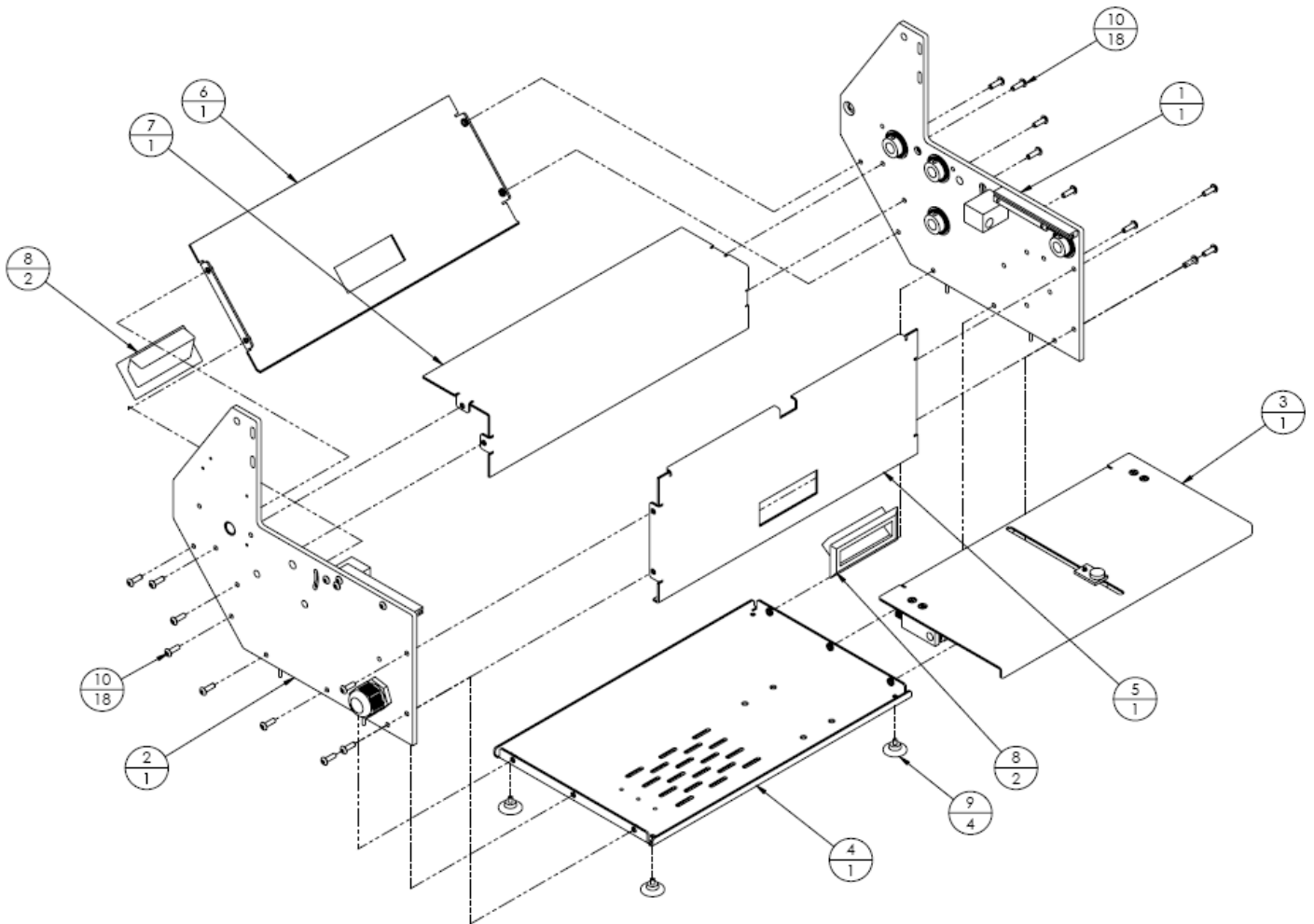
FEEDMAX FEEDER MOTOR 10020-432 (Fig. 10)

ITEM	PART NO.	QTY.	DESCRIPTION
1	99001-055	1	MOTOR, 1/6HP, 1725RPM, 90VDC
2	99002-048	1	PULLEY, TIMING, 16XL037, 1/2 B
3	99002-067	1	PULLEY, TIMING, 15XL037, 1/2 B W/KEYWAY
4	10012-043	4	STANDOFF, MOTOR
5	-	4	SETSCREW #10-32 X 1
6	98016-115	1	CONNECTOR, PLUG, 3-POS
7	98016-057	3	CONTACT, PIN, 24-18 AWG



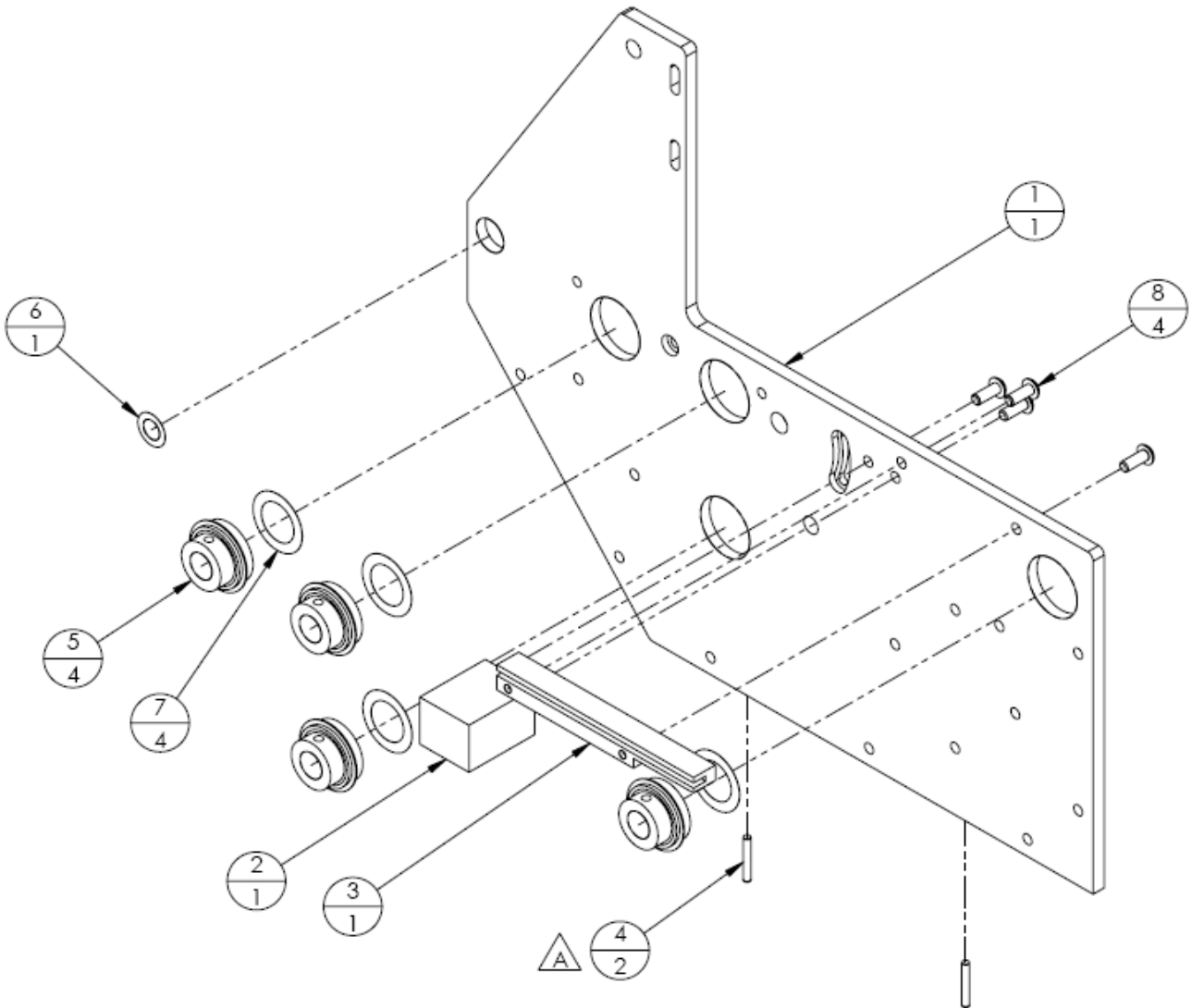
FEEDMAX FEEDER CHASSIS 10020-288 (Fig. 11)

ITEM	PART NO.	QTY.	DESCRIPTION
1	10020-289	1	ASSY, RH SIDEFAME (FIG 11A)
2	10020-290	1	ASSY, LH SIDEFAME (FIG 11B)
3	10020-394	1	ASSY, VIBRATING TOP PLATE (FIG 11C)
4	10002-022	1	COVER, BOTTOM-16" FMAX
5	10001-043	1	COVER, REAR-16" FMAX
6	10001-042	1	COVER, FRONT-16" FMAX
7	10001-044	1	COVER, ELECTRONICS
8	99012-006	2	HANDLE, POCKET PULL
9	99007-001	4	FOOT, SUCTION CUP, #8-32
10	-	18	SCREW, BUTTON HD, #10-24 X 5/8



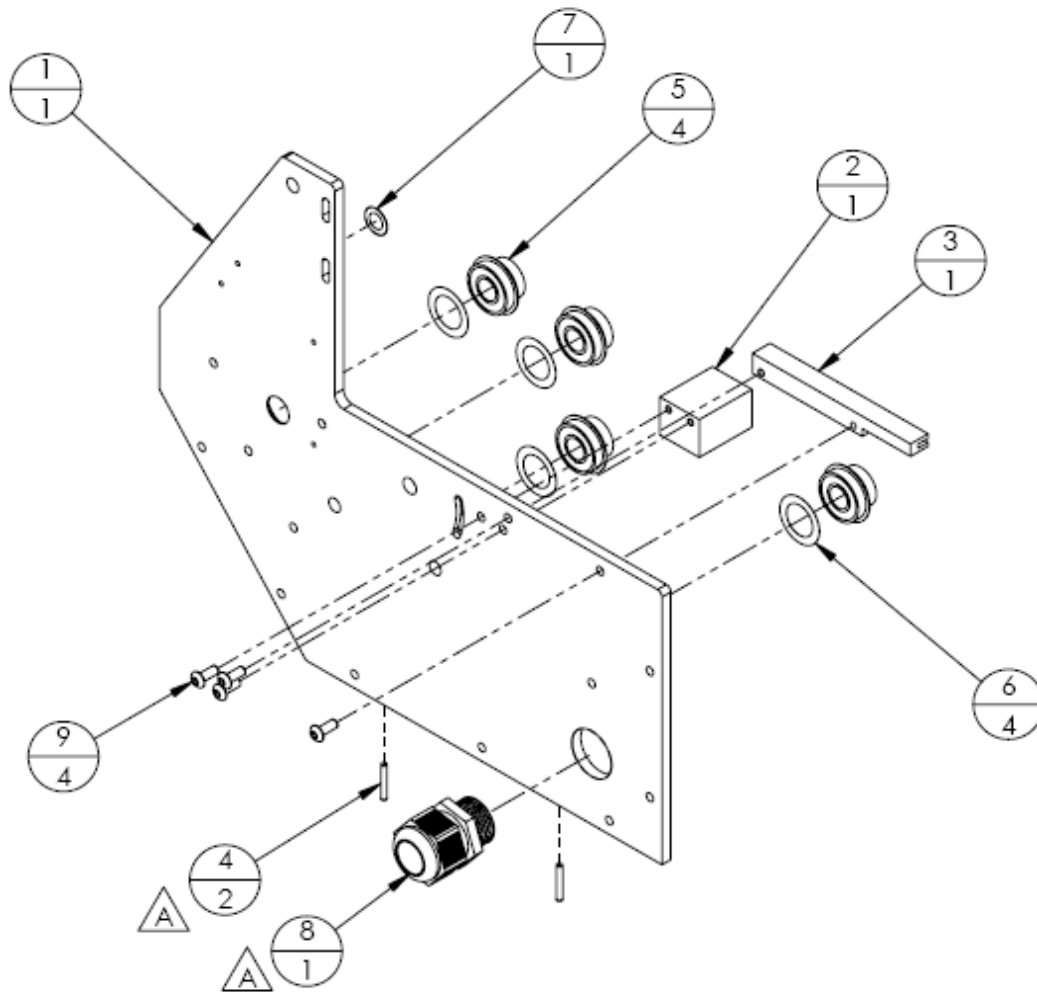
FEEDMAX FEEDER RH SIDEFAME 10020-289rA (Fig. 11A)

ITEM	PART NO.	QTY.	DESCRIPTION
1	10000-044	1	SIDEFAME, RH
2	10007-054	1	BLOCK, CAM SPRING ANCHOR, RH
3	10007-052	1	CHANNEL, RH VIBRATING TOP PLATE
4	99006-041	2	SPRING PIN, 1/8Ø X 7/8LG
5	99003-093	4	BEARING, 1/2 X 1-1/8, SEALED W/ COLLAR
6	99036-005	1	SHIM, ARBOR, 3/8 X 5/8 X .006"
7	99036-003	4	SHIM, BEARING, 3/4 X 1-1/8 X .006"
8	-	4	SCREW, BUTTON HD, #10-24 X 1/2



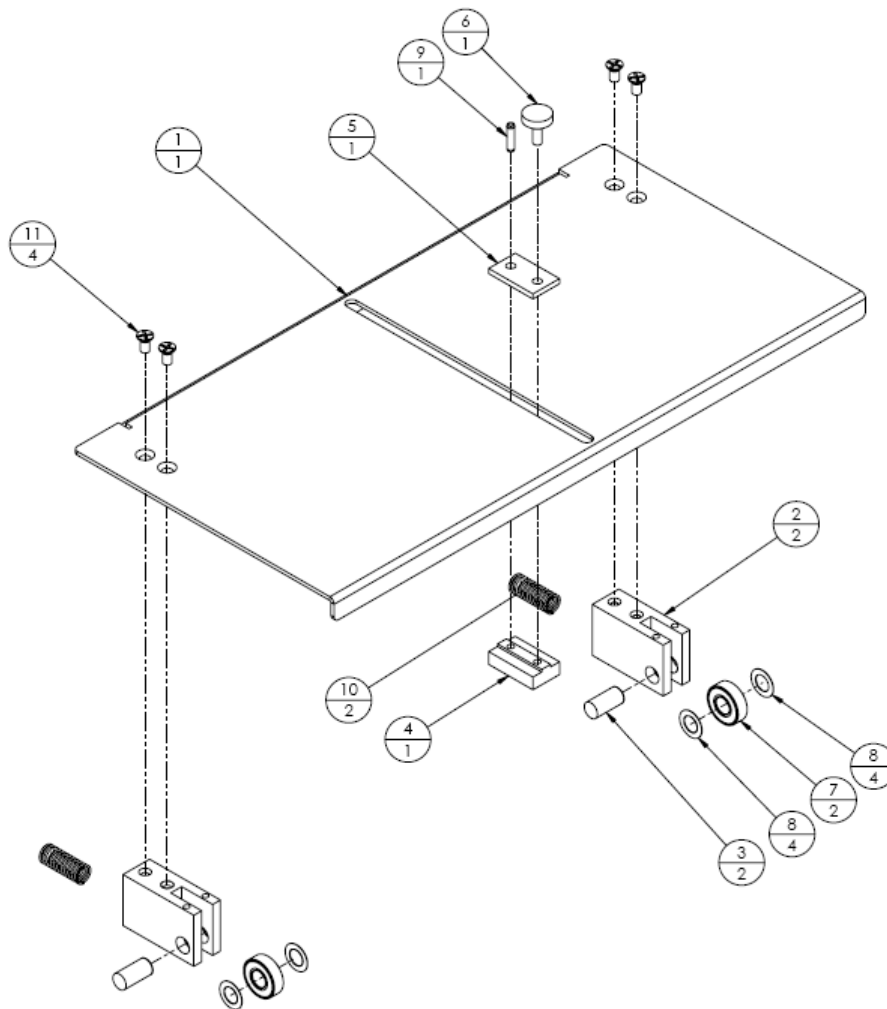
FEEDMAX FEEDER LH SIDEFRAAME 10020-290rA (Fig. 11B)

ITEM	PART NO.	QTY.	DESCRIPTION
1	10000-043	1	SIDEFRAAME, LH
2	10007-053	1	BLOCK, CAM SPRING ANCHOR, LH
3	10007-051	1	CHANNEL, LH VIBRATING TOP PLATE
4	99006-041	2	SPRING PIN, 1/8Ø X 7/8LG
5	99003-093	4	BEARING, 1/2 X 1-1/8, SEALED W/ COLLAR
6	99036-003	4	SHIM, BEARING, 3/4 X 1-1/8 X .006"
7	99036-005	1	SHIM, ARBOR, 3/8 X 5/8 X .006"
8	98015-002	1	STRAIN RELIEF, 3/4
9	-	4	SCREW, BUTTON HD, #10-24 X 1/2



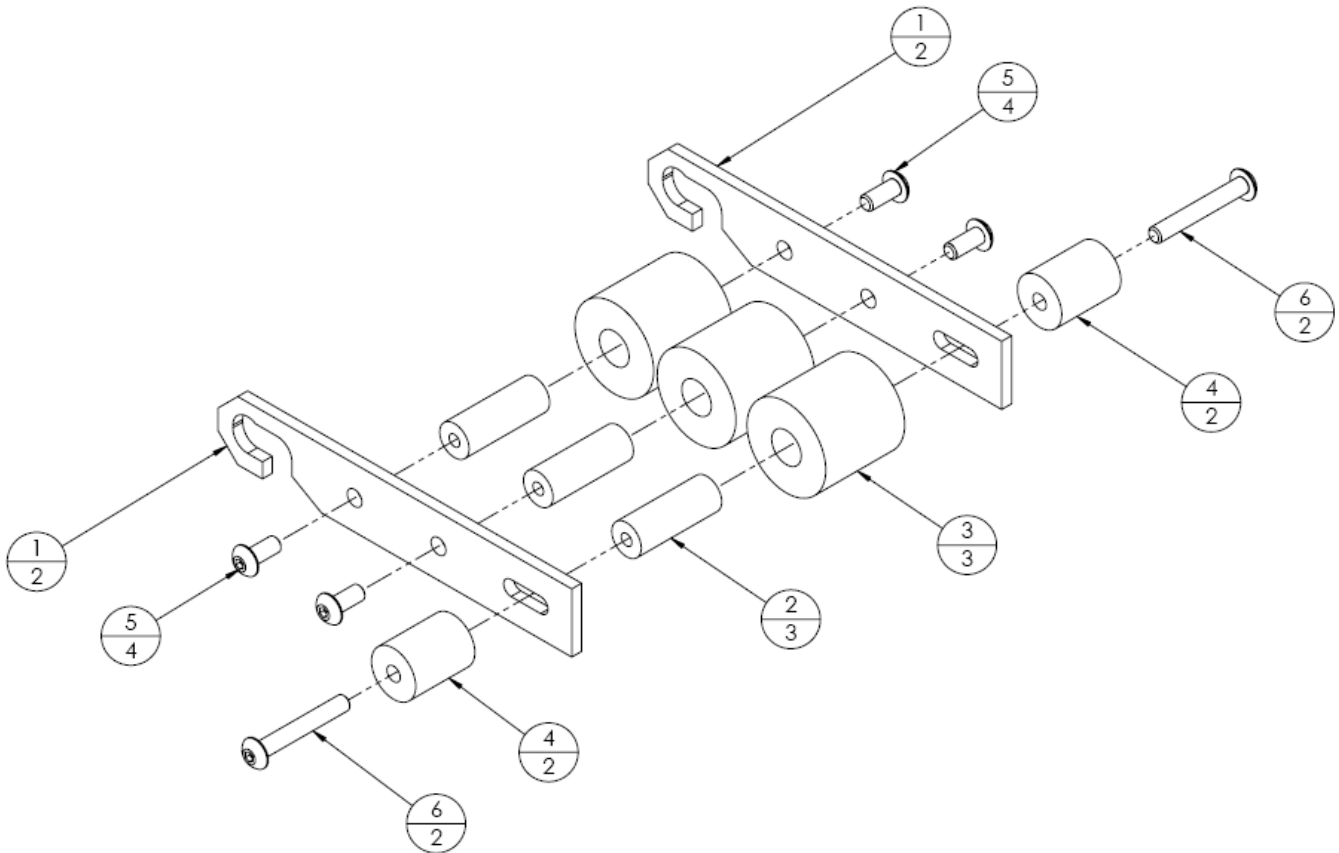
FEEDMAX FEEDER VIBRAT'G TOP PLATE 10020-394 Fig 11C

ITEM	PART NO.	QTY.	DESCRIPTION
1	10011-053	1	PLATE, TOP VIBRATING
2	10007-055	2	BLOCK, CAM ROLLER
3	10004-115	2	SHAFT, CAM ROLLER
4	10007-003	1	NUT, PAPER SLIDE
5	10007-004	1	WASHER, PAPER SLIDE
6	10020-317	1	ASSY, KNOB, 310-24 X 1/2
7	99003-001	2	BEARING, 3/8 X 7/8, SEALED
8	99036-027	4	SHIM, ARBOR, 3/8 X 5/8 X .012"
9	99006-050	2	PIN, ROLL, Ø5/32 X 5/8LG
10	99005-006	2	SPRING, ACCELERATOR ADJ
11	-	4	SCREW, FLAT HD, #10-24 X 3/8



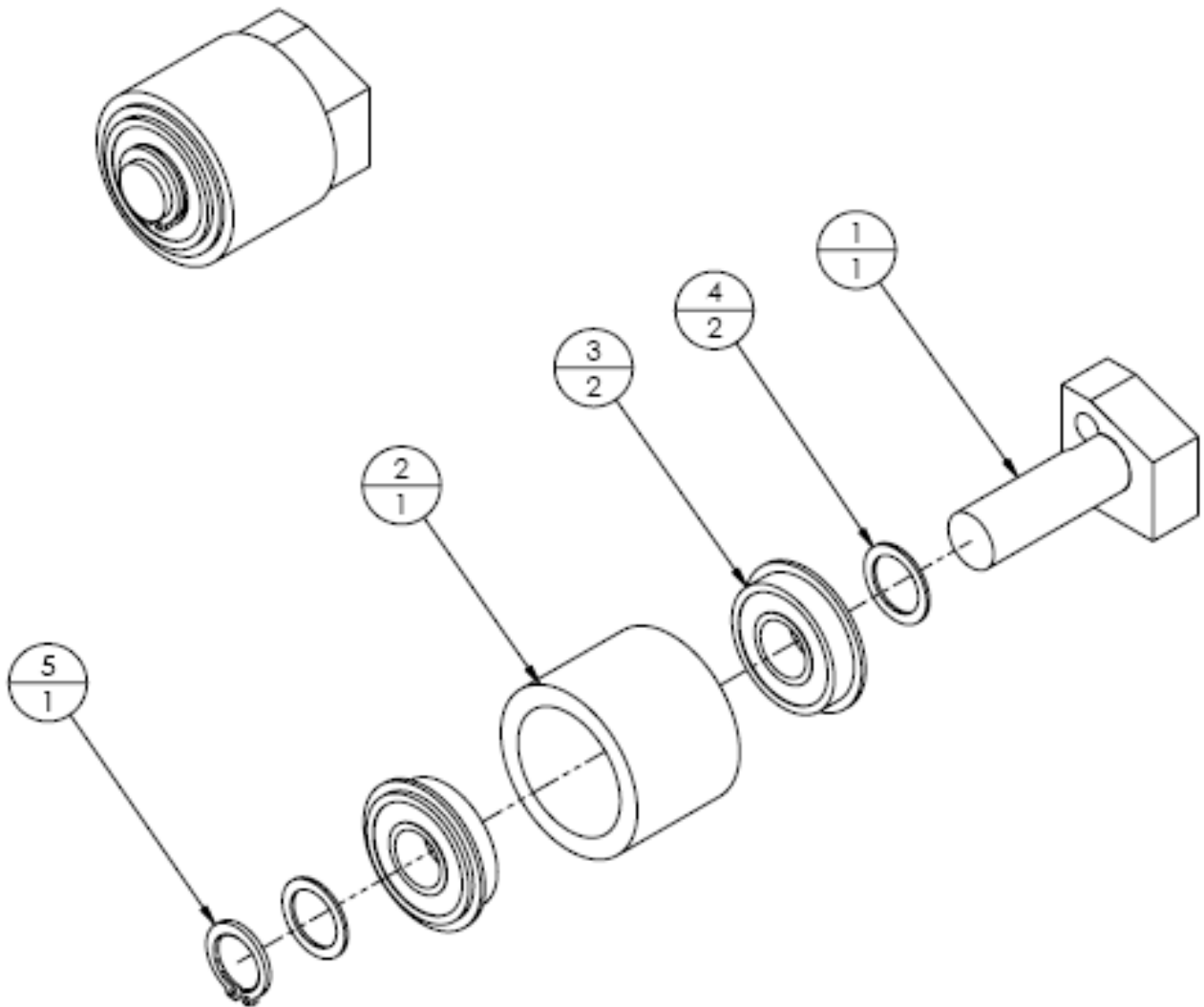
FEEDMAX FEEDER TRAILING ARM(LONG) 10020-263 (Fig. 12)

ITEM	PART NO.	QTY.	DESCRIPTION
1	10011-036	2	PLATE, TONGUE
2	10012-003	3	SPACER, TONGUE
3	10006-016	3	ROLLER, TONGUE
4	10004-016	2	WEIGHT
5	-	4	SCREW, BUTTON HD, #8-32 X 3/8
6	-	2	SCREW, BUTTON HD, #8-32 X 1-1/8



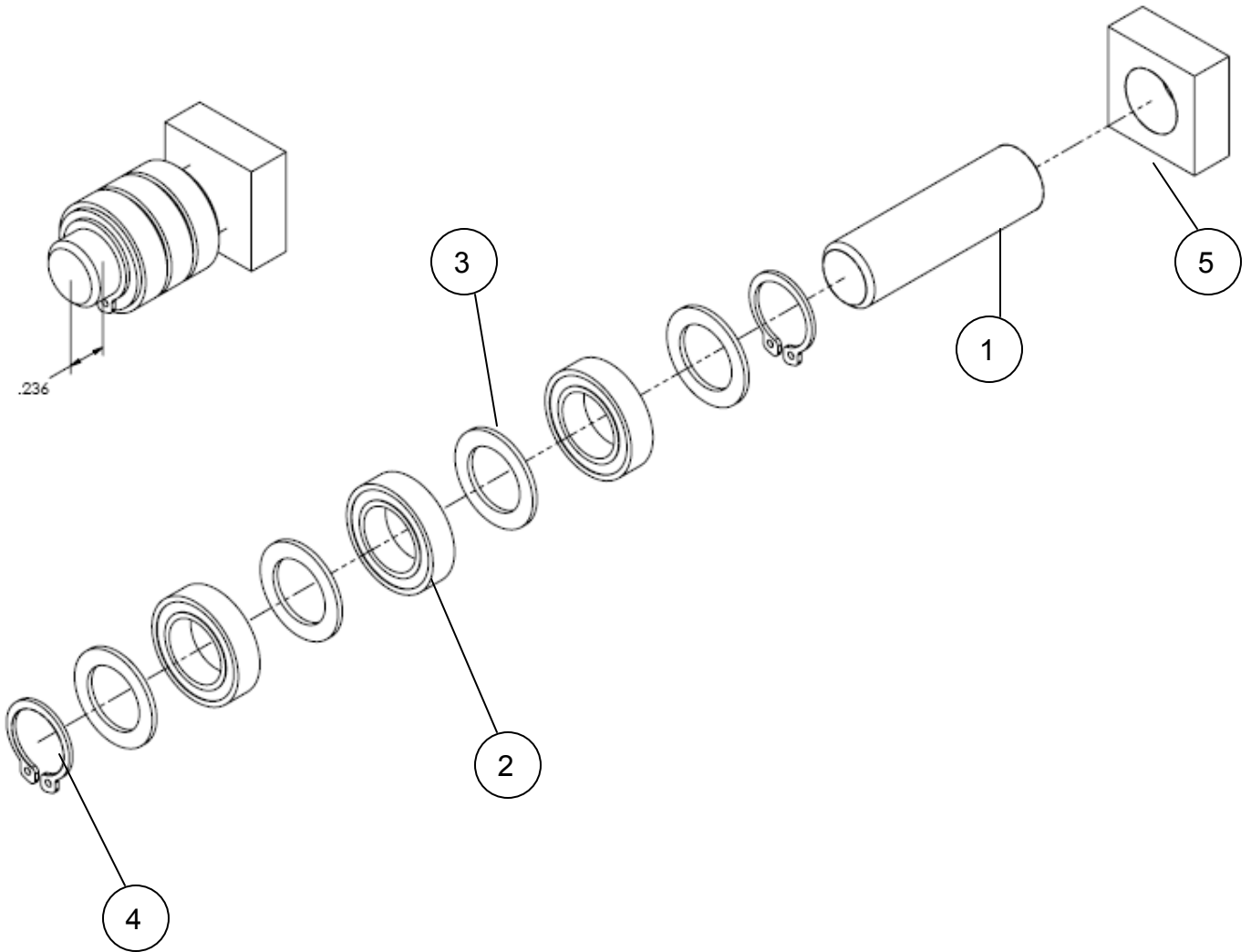
FEEDMAX FEEDER TENSIONER SHAFT 10020-131 (Fig 13)

ITEM	PART NO.	QTY.	DESCRIPTION
1	18004-022	1	SHAFT, ECCENTRIC IDLER-1/2
2	18006-012	1	PULLEY, IDLER, FLAT
3	99003-007	2	BEARING, 1/2 ID X 1-1/8 OD
4	99003-032	2	WASHER, NYLON, 1/2 X 1/32
5	99022-004	1	SNAP RING, 1/2



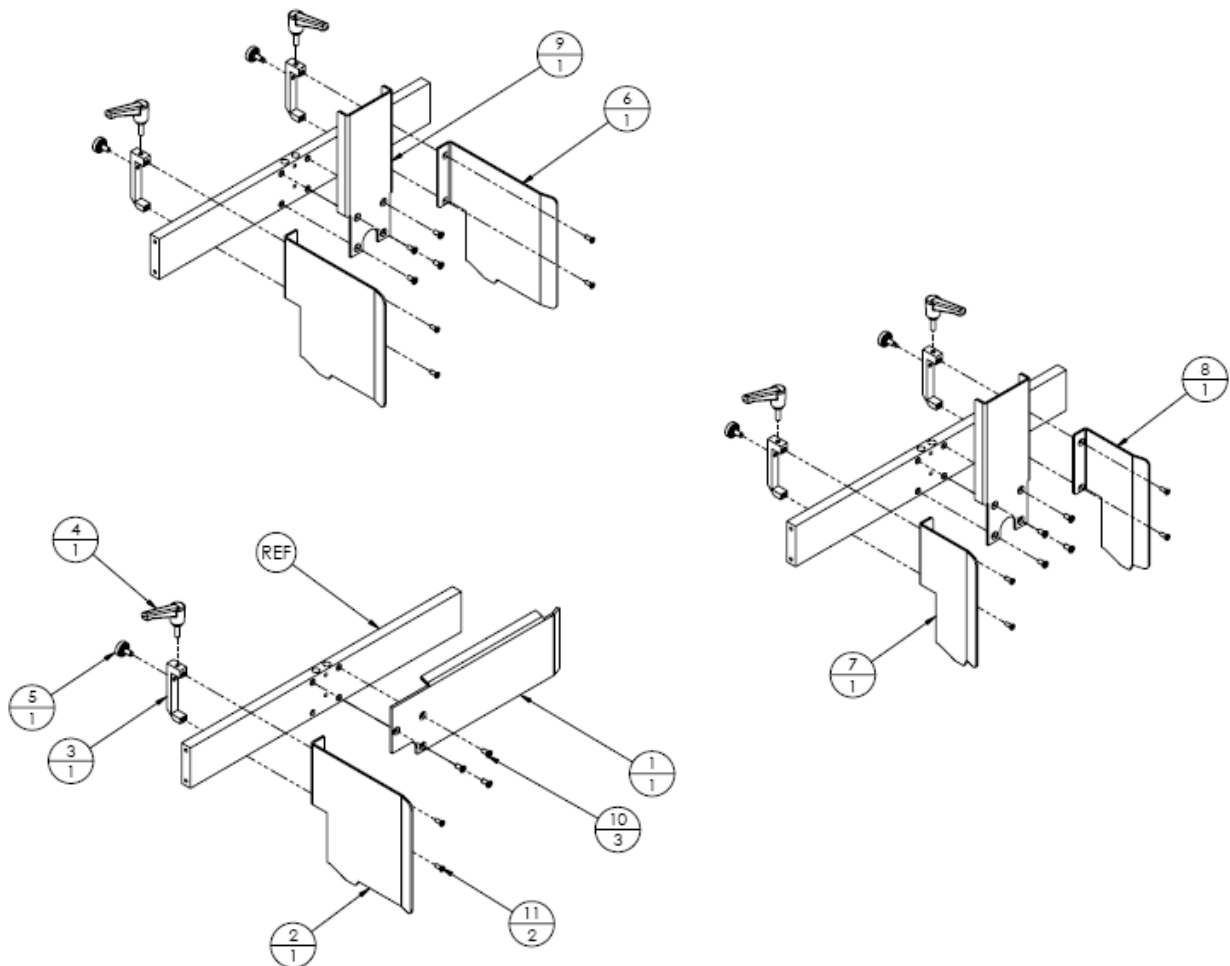
FEEDMAX FEEDER TENSIONER 10020-267 (Fig 14)

ITEM	PART NO.	QTY.	DESCRIPTION
1	21004-002	1	SHAFT, ECCENTRIC IDLER-3/8
2	99003-079	3	BEARING, 3/8 ID X 5/8 OD
3	99003-016	4	WASHER, NYLON, 3/8 X 1/32
4	99022-003	2	SNAP RING, 3/8
5	10007-011	1	BLOCK, IDLER SUPPORT



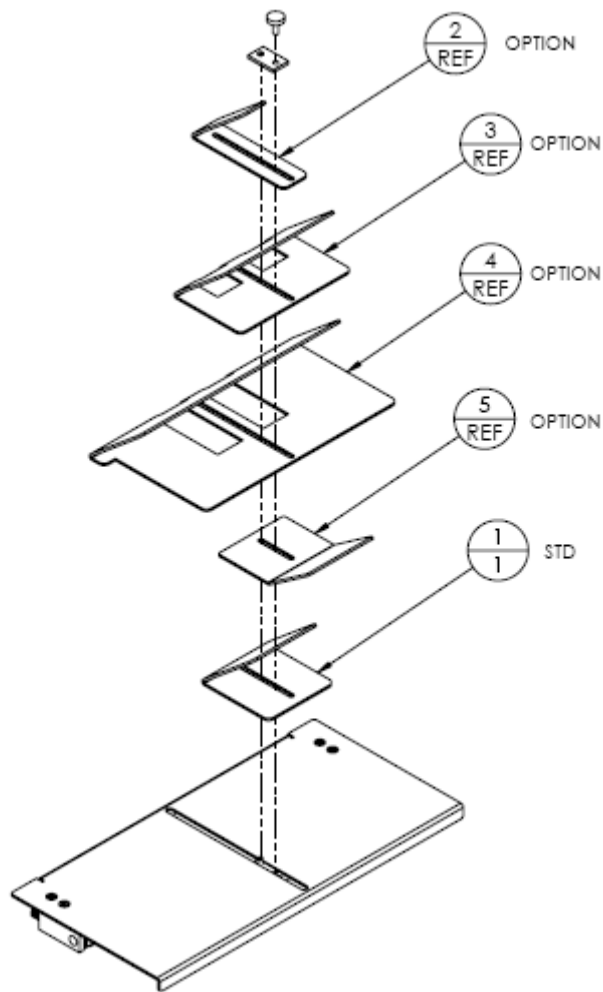
FEEDMAX FEEDER SIDE GUIDE OPTIONS 10020-295 (Fig 15)

ITEM	PART NO.	QTY.	DESCRIPTION
1	10005-163	1	GUIDE, FRONT RH 90 DEG
2	10005-087	1	GUIDE, SIDE, LH LONG
3	10009-002	1	BRACKET, SIDE GUIDE MTG
4	99004-003	1	HANDLE, RATCHET, #10-24 X 5/8
5	10020-316	1	ASSY, KNOB, #10-24 X 3/8
6	10005-086	REF	GUIDE, SIDE RH LONG
7	10005-101	REF	GUIDE, SIDE, LH SHORT
8	10005-102	REF	GUIDE, SIDE RH SHORT
9	10005-001	REF	GUIDE, FRONT SHORT
10	-	3	SCREW, FLAT HD, #8-32 X 3/8
11	-	2	SCREW, FLAT HD, #6-32 X 5/16



FEEDMAX FEEDER REAR WEDGE OPTIONS 10020-134 (Fig 16)

ITEM	PART NO.	QTY.	DESCRIPTION
1	10005-088	1	GUIDE, REAR WEDGE, 3-1/4" WIDE
2	10005-089	REF	GUIDE, REAR WEDGE, 1-1/4" WIDE
3	10005-104	REF	GUIDE, REAR WEDGE, 5-1/2" WIDE
4	10005-165	REF	GUIDE, REAR WEDGE, 10" WIDE
5	10005-103	REF	GUIDE, REAR WEDGE-EXT
N/S	99039-009	.3 FT	ANTI-SKID TAPE, BLACK

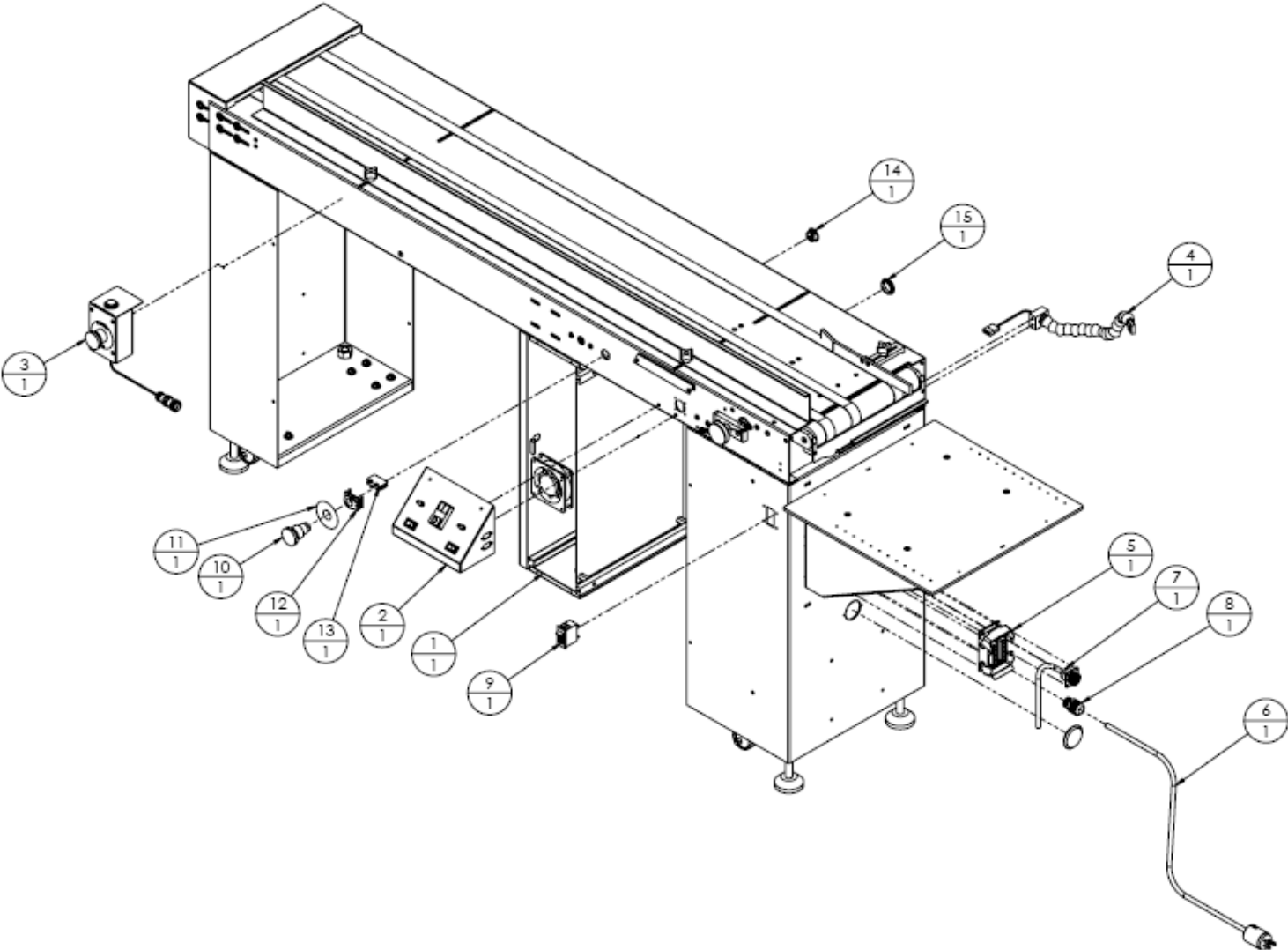


MASTER ELECTRICAL - FEEDMAX 12021-042 (Fig. 17)

ITEM	PART NO.	QTY.	DESCRIPTION
1	12021-043	1	ASSY, ELECTRICAL DRIVE BOX FIG 17A
2	12021-044	1	ASSY, CONTROL PANEL (FIG 17B)
3	12021-070	1	ASSY, REMOTE PAUSE / E-STOP (FIG 17C)
4	12021-047	1	ASSY, AN7 SENSOR (FIG 17D)
5	12021-074	1	ASSY, CABLE, TUV FEEDER POWER (FIG 17E)
6	12021-075	1	ASSY, POWER CABLE (FIG 17F)
7	12021-076	1	ASSY, CABLE TRIGGER / E-STOP (FIG 17G)
8	98015-001	1	STRAIN RELIEF, 1/2"
9	98004-054	1	CIRCUIT BREAKER, 5 AMP
10	98000-093	1	E-STOP, MUSHROOM HD
11	98000-111	1	E-STOP PLATE (TUV)
12	98000-103	1	CLIP, 3-POS
13	98000-108	1	CONTACT BLOCK, NC (GOLD PLATED)
14	98015-023	1	PLUG, FINISHING, 7/8
15	98015-017	1	PLUG, FINISHING, 1-1/8
16	98015-022	1	PLUG, FINISHING, 1-3/4
	12021-077	1	ASSY, CABLE, CONV. MOTOR POWER
	12021-078	1	ASSY, CABLE, CONVEYOR E-STOP
	12021-079	1	ASSY, CABLE, SPEED POT
	12021-080	1	ASSY, CABLE, ROCKER SWITCH
	14021-029	1	ASSY, CABLE, FMAX SENSOR

PLEASE NOTE THAT THE ELECTRICAL DRIVE BOX ASSEMBLY (FIG 17A), P/N 12021-043 IS FOR MACHINES MANUFACTURED BEFORE 7/28/08. ON 7/29/08 AND THEREAFTER, CHANGES ARE PENDING WHICH WILL BE ADDED TO THIS PARTSBOOK WHEN APPROVAL IS GRANTED. CALL SURE-FEED WITH ANY QUESTIONS.

FIG 17



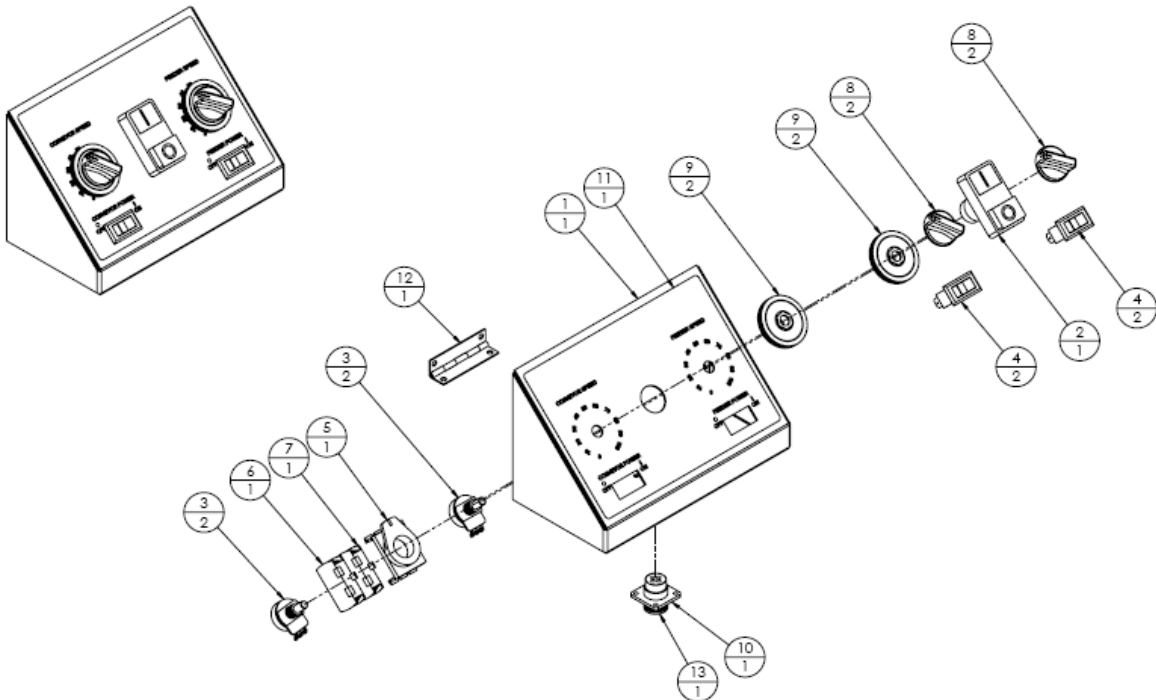
ELECTRICAL DRIVE BOX - FEEDMAX 12021-043 (Fig. 17A)

ITEM	PART NO.	QTY.	DESCRIPTION
1	12013-037	1	ENCLOSURE, TUV
2	12011-059	1	PLATE, ENCLOSURE
3	99039-189	4	STANDOFF, HEX
4	99039-034	1	LOCK, ENCLOSURE
5	12008-030	2	BAR, ENCLOSURE SUPPORT
6	98008-019	1	TRANSFORMER, STEPDOWN
7	98008-005	1	TRANSFORMER, 24VAC
8	98001-060	1	SPRING TERMINAL BLOCK
9	98001-072	12	END STOP TERMINAL
10	98001-064	3	SIDE COVER TERMINAL BLOCK
11	98001-073	10	BRIDGE, 2-POS
12	98001-063	14	FUSE BLOCK
13	98001-069	4	BRIDGE, 5-POS
2	98001-062	1	GROUND TERMINAL
14	98001-061	2	SPRING GROUND TERMINAL
15	98002-042	2	RELAY, DPDT, 30A, 24VAC
16	98001-071	2	FUSE BLOCK
17	98005-007	1	MOTOR CONTROLLER, 90V DC W/ SPEED POT
18	98006-024	1	POWER RESISTOR, 0.1 Ω
19	98006-032	1	CONTECH 305051 FEEDER CONTROLLER
20	98001-093	12	TERMINAL, DBL LAYER, SHORTED
21	98019-068	1	STRAIGHT PRESSURE TONGUE
22	98002-041	2	RELAY, SPDT, 24V AC/DC
23	98001-089	9	TERMINAL, DOUBLE LAYER
24	98020-084	11	CABINET FAN
25	98004-023	4	FUSE, 2A, 250V GDC
26	98004-018	3	FUSE, 3 AMP, 250V, 5X20MM, GMC
27	98004-017	7	FUSE, 1AMP, 250V, 5X20MM, GMC
28	98004-020	2	FUSE, .75 AMP, 250V, 5X20MM, GMC
29	98016-179	1	CONNECTOR, 10 PIN RECEPTACLE
30	98016-180	2	CONNECTOR, 16 PIN RECEPTACLE
31	98016-181	26	SOCKET, 28-22 AWG
32	98016-115	1	CONNECTOR, PLUG, 3-POS
33	98016-116	1	CONNECTOR, RECEPTACLE, 3-POS
34	98016-057	6	CONTACT, PIN, 24-18 AWG
35	98016-056	6	CONTACT, SOCKET, 24-18 AWG

CONTROL PANEL - FEEDMAX 12021-044rB (Fig. 17B)

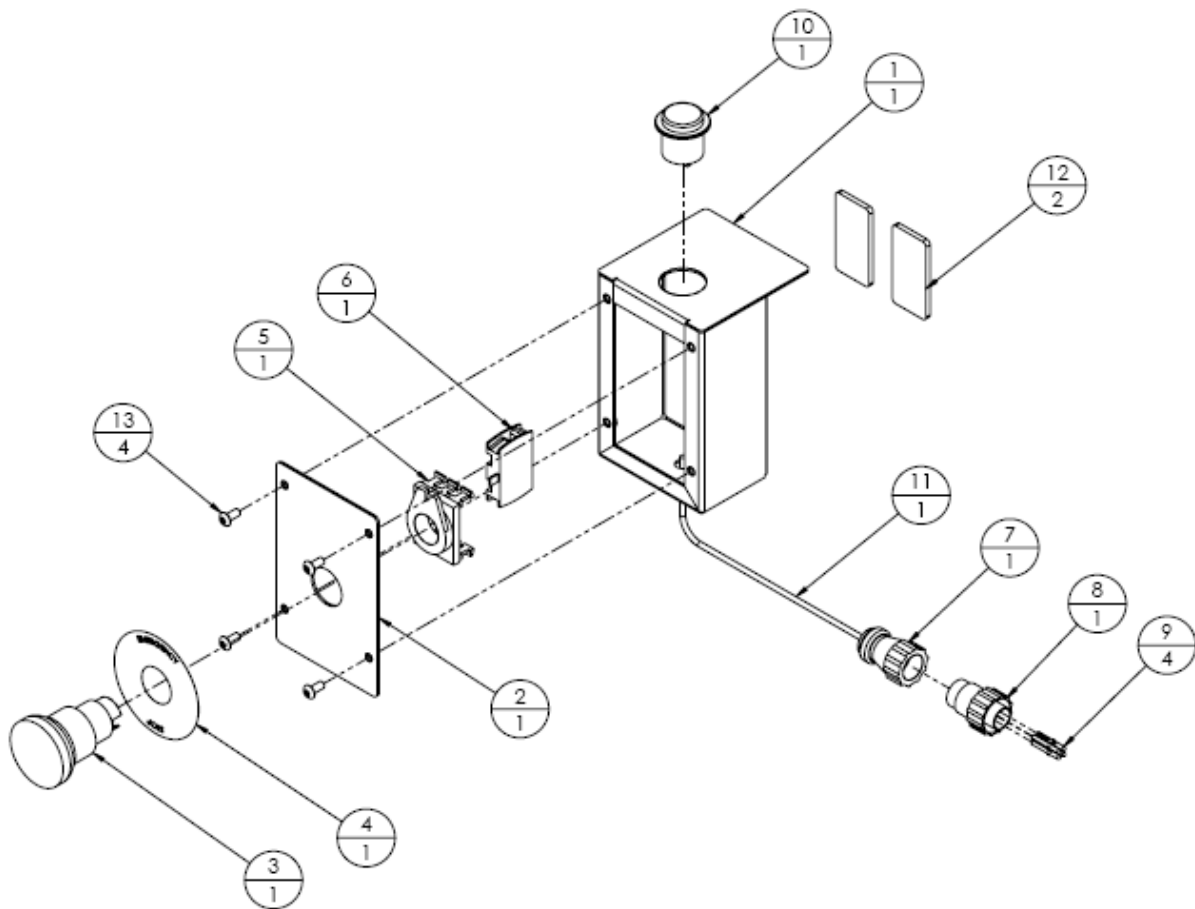
ITEM	PART NO.	QTY.	DESCRIPTION
1	12013-036	1	ASSY, CONTROL CONSOLE
2	^b 98000-100	1	SWITCH, PB MOM (OLD# 98000-083OBS)
3	98006-007	2	SPEED POT, 5K
4	98000-041	2	SWITCH, ROCKER, RED
5	98000-103	1	CLIP, 3-POS
6	98000-105	1	CONTACT BLOCK, NO
7	98000-108	1	CONTACT BLOCK, NC (GOLD PLATED)
8	98006-021	2	KNOB, POTENTIOMETER
9	98006-035	2	KNOB, LOCK
10	98016-011	1	RECEPTACLE, SQ FLG, 11-4 REVERSED
11	10021-003	1	LABEL, CONTROL PANEL
12	16013-013	1	HINGE, ELECTRICAL PANEL
13	98016-027	4	CONTACT, SOCKET 24-20 AWG
N/S	98016-024	1	CONNECTOR, 2-POS RECEPTACLE
N/S	98016-056	2	CONTACT, SOCKET

Dwg rev B: Item 2 was updated from obsoleted part.



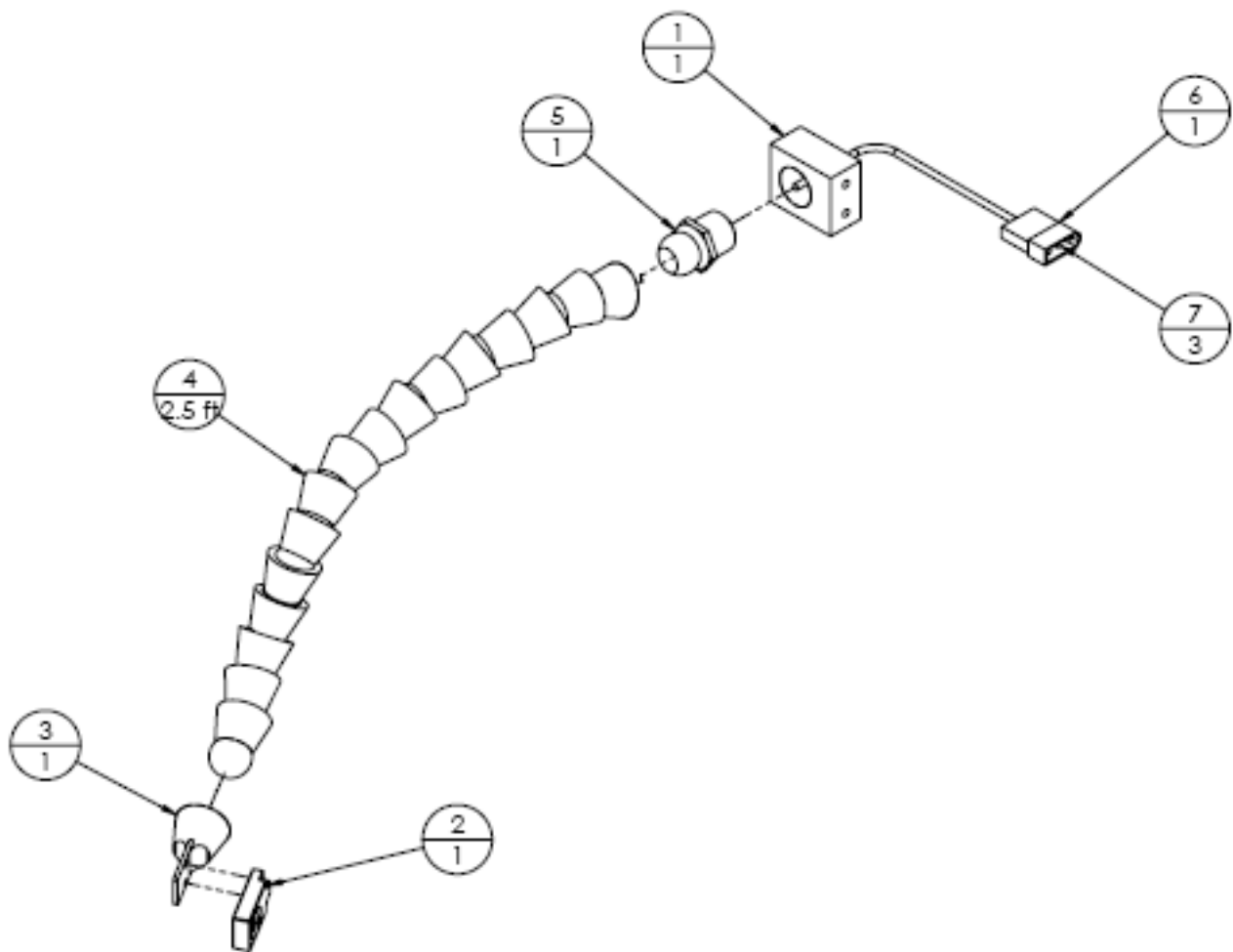
REMOTE PAUSE/E-STOP - FEEDMAX 12021-070rA (Fig. 17C)

ITEM	PART NO.	QTY.	DESCRIPTION
1	10013-018	1	ENCLOSURE, REMOTE E-STOP
2	10013-019	1	COVER, ENCLOSURE, REMOTE E-STOP
3	98000-093	1	E-STOP, MUSHROOM HEAD
4	98000-111	1	E-STOP PLATE
5	98000-103	1	CLIP, 3-POS
6	98000-108	1	CONTACT BLOCK, NC (GOLD PLATED)
7	98016-015	1	BACKSHELL, PLASTIC SIZE 11
8	98016-029	1	PLUG, SERIES 1, 11-4 REVERSED
9	98016-025	4	CONTACT, PIN 24-20 AWG
10	98000-051	1	PUSH BUTTON SWITCH, ON/OFF
11	98010-187	9 FT	CABLE, SHIELDED 22/4
12	99039-086	2	MAGNET
13	-	4	SCREW, BUTTON HD, #8-32 X 3/8



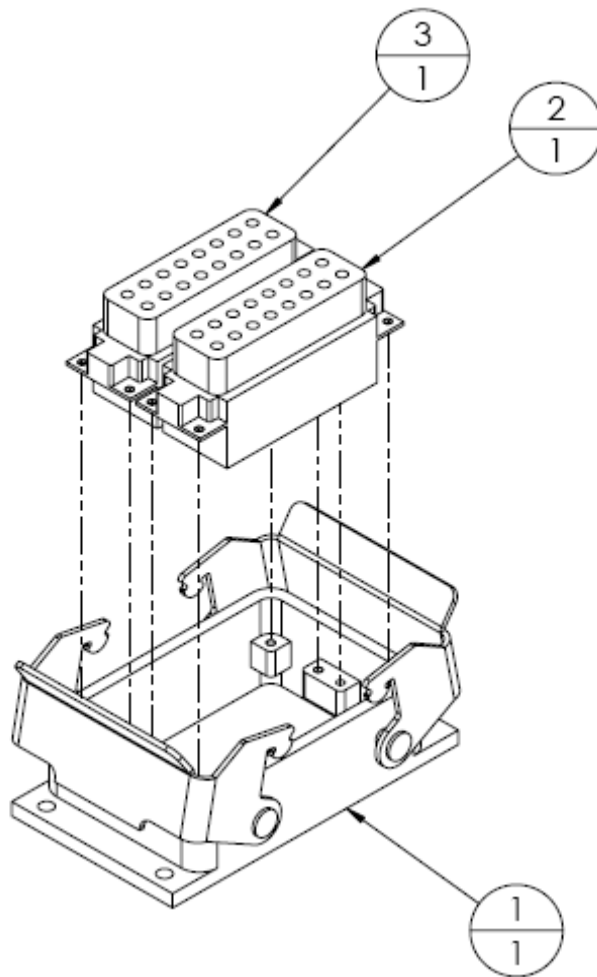
AN7 SENSOR - FEEDMAX 12021-047 (Fig. 17D)

ITEM	PART NO.	QTY.	DESCRIPTION
1	12007-026	1	BLOCK, SENSOR HOSE MTG
2	98009-001	1	SENSOR, DIFFUSE REFLECTIVE
3	99028-145	1	NOZZLE, 1/2" LOC-LINE HOSE
4	99031-019	2.5 ft	HOSE, MODULE, 1/2" LOC-LINE
5	99028-144	1	CONNECTOR, 1/2" NPT LOC-LINE
6	98016-115	1	CONNECTOR, PLUG, 3-POS
7	98016-057	3	CONTACT, PIN 24-18 AWG



FEEDER POWER CABLE - FEEDMAX 12021-074 (Fig. 17E)

ITEM	PART NO.	QTY.	DESCRIPTION
1	98016-158	1	BASE, PANEL MTG
2	98016-154	1	RECEPTACLE INSERT, A16 SERIES (1-16)
3	98016-156	1	RECEPTACLE INSERT, A16 SERIES (17-32)
N/S	98010-010	6 FT	WIRE, 16/3 SJOOW, BLACK
N/S	98010-012	6 FT	WIRE, 24/9



POWER CABLE - FEEDMAX 12021-075 (Fig. 17F)

ITEM	PART NO.	QTY.	DESCRIPTION
1	98003-010	1	PLUG, 3 PIN, 2-POLE, 15A
2	98010-010	14 FT	WIRE, 16/3 SJOOW, BLACK



TRIGGER/E-STOP CABLE - FEEDMAX 12021-076 (Fig. 17G)

ITEM	PART NO.	QTY.	DESCRIPTION
1	98016-093	1	CONNECTOR, RECEPTACLE, 9 POS
2	98016-027	4	CONTACT, SOCKET, 24-20 AWG
3	98010-009	6 FT	CABLE, 22/7

