

***FEEDMAX***  
***W/ SHUTTLE***  
***IJ SERIES***  
***Parts Manual***



***SURE-FEED ENGINEERING***

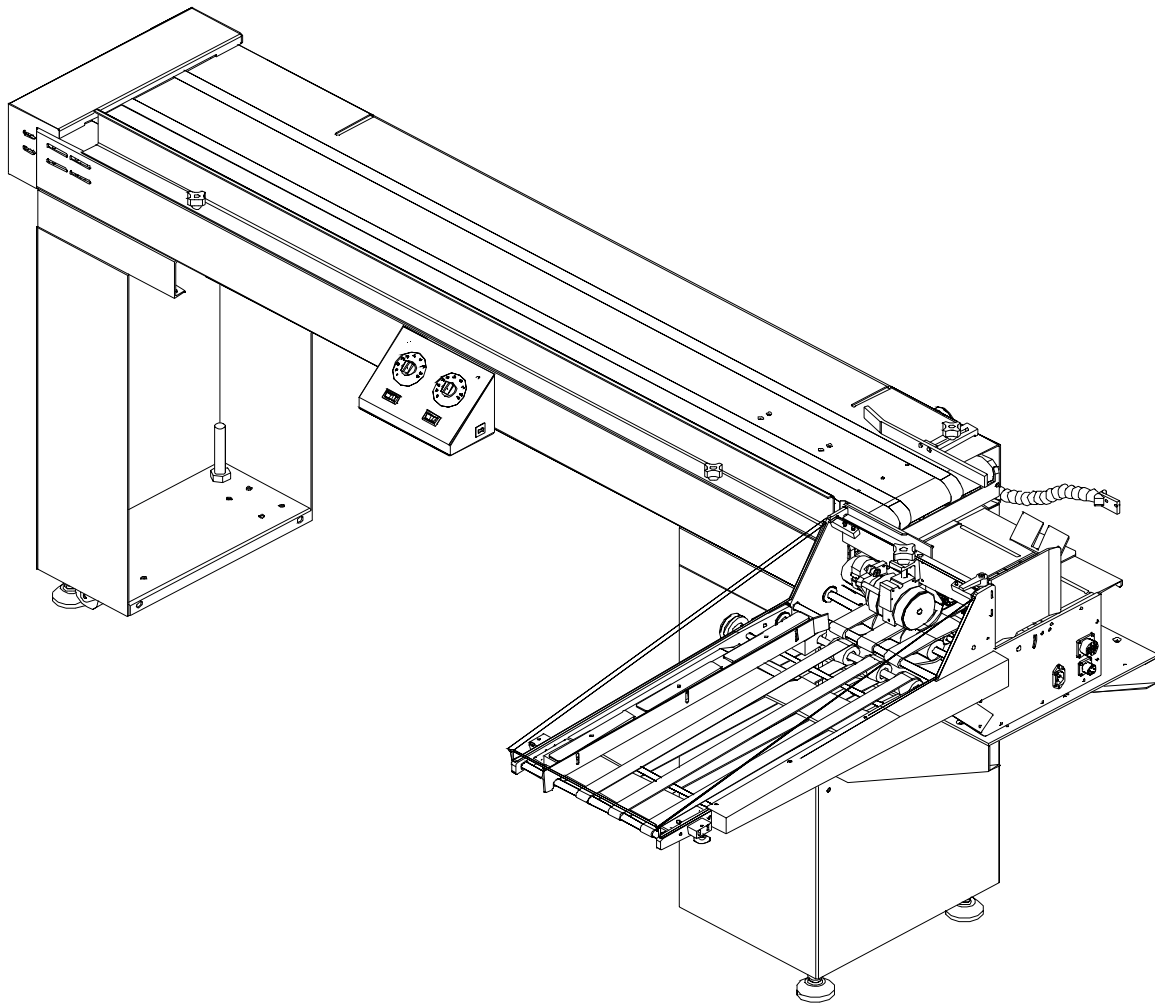
12050 49th STREET NORTH - CLEARWATER, FL. 33762-4301  
PHONE: 727.571.3330 - FAX: 727.571.3443 - TOLL FREE: 1.800.INSERTER  
web: [sure-feed.com](http://sure-feed.com)

# ***TABLE OF CONTENTS***

## **FEEDMAX SYSTEM**

FEEDMAX CONVEYOR (FIG. 1).....	3
FRAME ASSEMBLY (FIG. 2).....	5
ADJUSTABLE PULLEY ASSEMBLY (FIG. 3).....	7
DRIVE ASSEMBLY (FIG. 4).....	9
IDLER PULLEY ASSEMBLY (FIG. 5).....	11
BELT GUIDE ASSEMBLY (FIG. 6).....	13
FEEDMAX FEEDER (FIG. 7).....	15
SEPERATOR, SIDE GUIDE, AND TRAILING ARM (FIG. 8).....	17
FRONT, NIP, IDLER, JACK SHAFT ASSEMBLIES (FIG. 9).....	20
MAIN, ELEVATOR, AND CAM SHAFT ASSEMBLIES (FIG. 10).....	22
CHASSIS, TENSIONER, AND MOTOR ASSEMBLIES (FIG. 11).....	24
SHUTTLE ASSEMBLY (FIG. 12).....	26
ELECTRICAL	
CONVEYOR (FIG. 13).....	28
FEEDER (FIG. 14).....	31

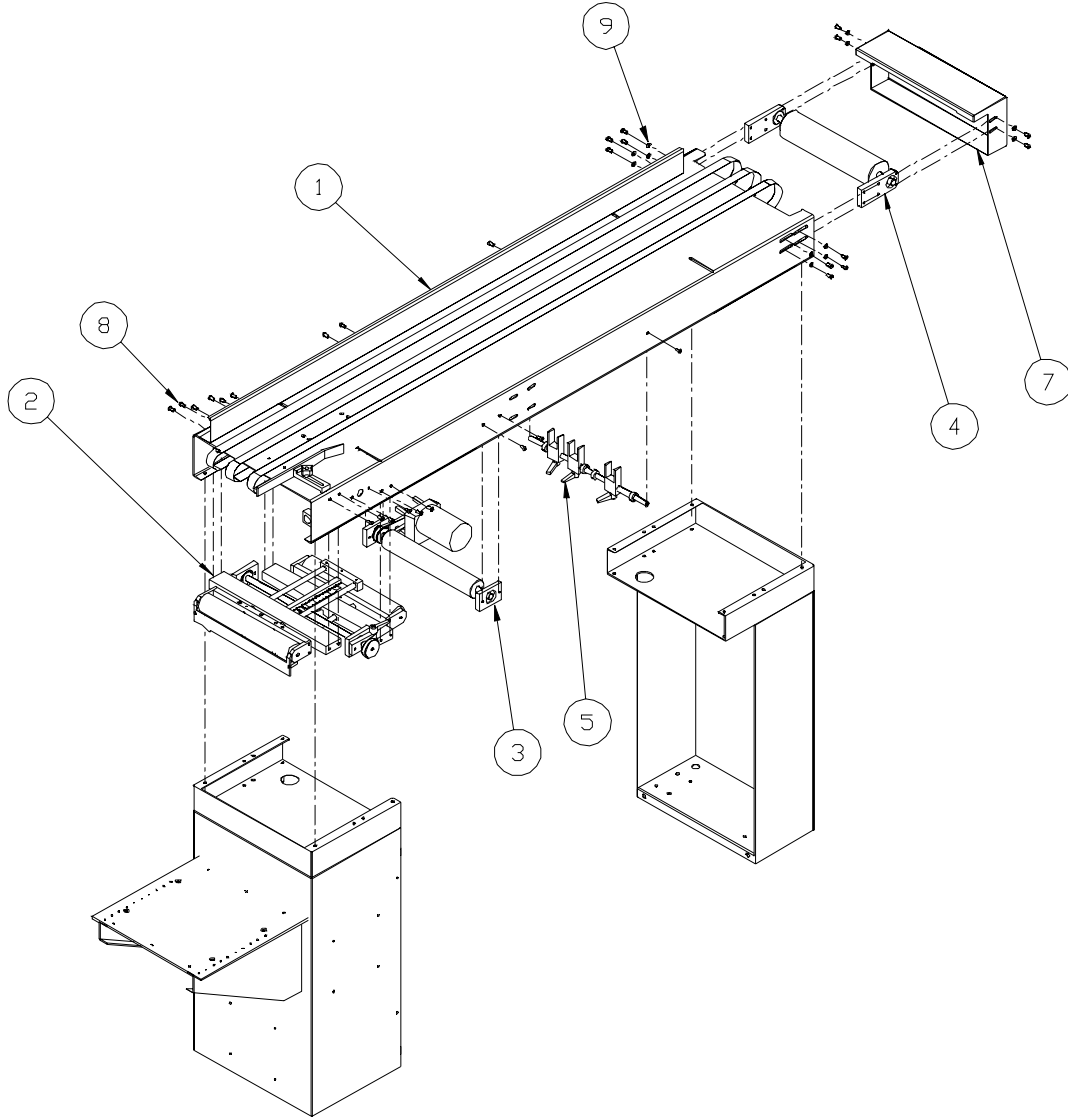
# ***FEEDMAX W/ SHUTTLE***



## **FEEDMAX CONVEYOR ASSEMBLY (Fig. 1)**

<b>ITEM</b>	<b>PART NO.</b>	<b>QTY.</b>	<b>DESCRIPTION</b>
1	SEE FIG.2	1	CONVEYOR FRAME ASSEMBLY
2	SEE FIG. 3	1	ADJUSTABLE PULLEY ASSEMBLY
3	SEE FIG. 4	1	DRIVE ASSEMBLY
4	SEE FIG. 5	1	IDLER PULLEY ASSEMBLY
5	SEE FIG. 6	1	BELT GUIDE ASSEMBLY
6	SEE FIG. 12	1	ELECTRICAL ASSEMBLY, CONVEYOR (NOT SHOWN)
7	12011-006	1	END CAP, IDLER END
8		34	SCREW, BUTTON HD, 1/4-20 X 5/8
9		12	WASHER, FLAT, SAE, 1/4"

*FIG. 1*

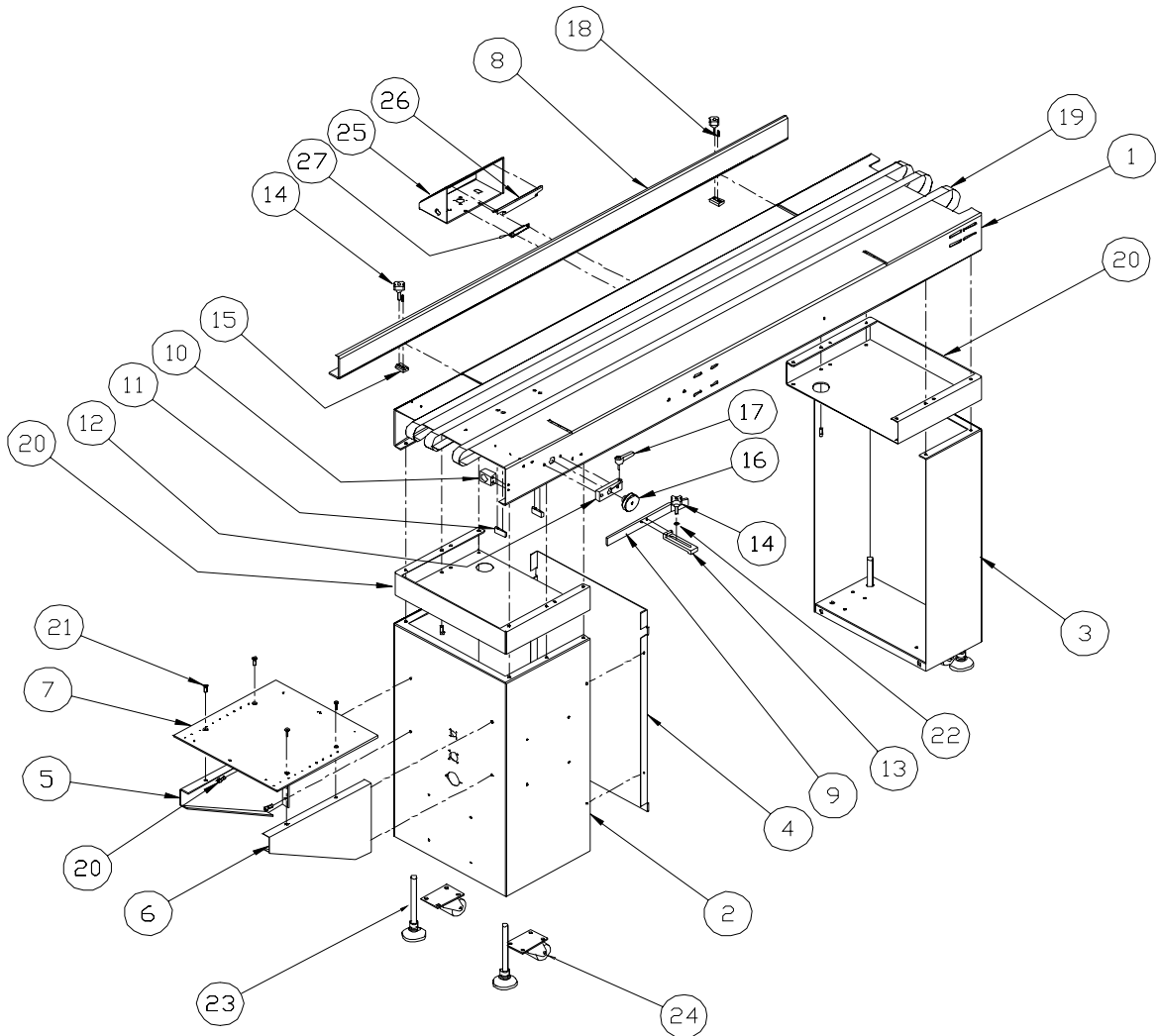


**FEEDMAX CONVEYOR (Fig. 2)**

## FRAME ASSEMBLY

ITEM	PART NO.	QTY.	DESCRIPTION
1	12000-016	1	SIDEFAME, FEEDMAX CONVEYOR
2	12010-013	1	LEG, CONVEYOR DRIVE, 36"
3	12010-001	1	LEG, CONVEYOR IDLE
4	12013-014	1	GUARD, CONVEYOR DRIVE LEG
5	12010-011	1	SUPPORT, LH, FEEDER
6	12010-012	1	SUPPORT, RH, FEEDER
7	12011-029	1	PLATE, FEEDER MTG.
8	12005-023	1	GUIDE, RH SIDE
9	12005-010	1	GUIDE, LH SIDE
10	12007-026	1	BLOCK, SENSOR HOSE MTG.
11	12008-019	1	BAR, STOP
12	12007-025	1	BLOCK, CLAMP
13	16007-016	1	BLOCK, SIDE GUIDE MTG (LONG)
14	99004-011	4	KNOB, MALE, 10-32 X 3/4
15	10007-074	3	NUT, PAPER SLIDE (SHORT)
16	12015-001	1	KNOB, ALUM, 5/8 BORE
17	99004-003	1	HANDLE, RACHET, 10-24
18	99006-020	2	ROLL PIN, 5/32 X 3/4
19	99000-126	2	BELT, ENDLESS, 1"W X 171"L
20	12010-016	2	SPACER, LEG, 3"
21		4	SCREW, HEX HD, 1/4-20 X 5/8
22		1	WASHER, #10
23	99010-001	4	FOOT, ADJ, 5/8-11
24	99010-002	4	CASTOR, 2" DAIM WHEEL
25	10013-016	1	CONTROL ENCLOSURE
26	12009-008	1	BRACKET, ENCLOSURE MTG.
27	16013-013	1	HINGE, CONTROL CONSOLE

*FIG. 2*

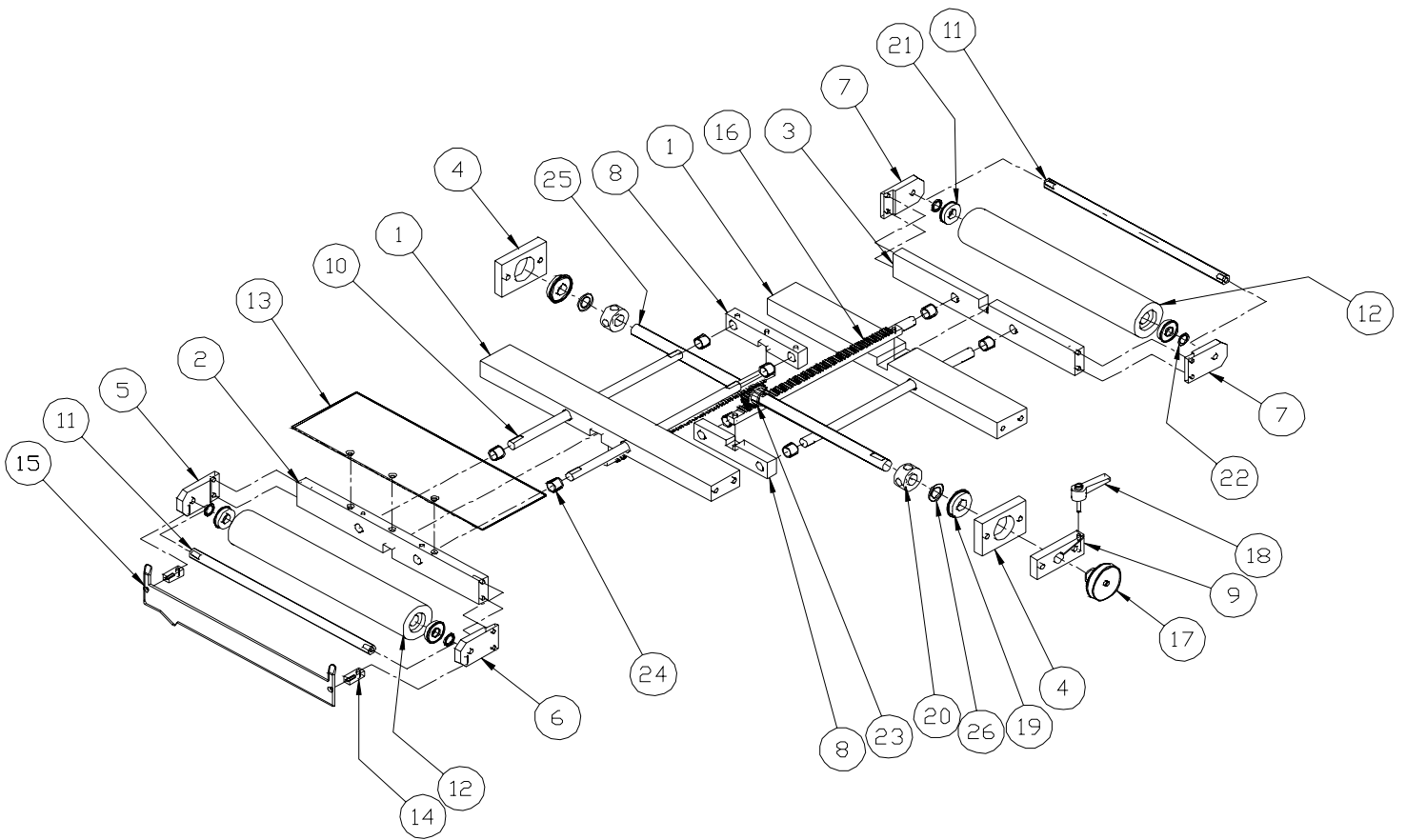


**FEEDMAX CONVEYOR (Fig. 3)  
ADJUSTABLE PULLEY ASSEMBLY**

<b>ITEM</b>	<b>PART NO.</b>	<b>QTY.</b>	<b>DESCRIPTION</b>
1	12003-002	2	CROSSBAR, GUIDE, SHAFT MTG.
2	12008-018	1	BAR, ADJ PULLEY MTG. (OUTSIDE)
3	12008-015	1	BAR, ADJ PULLEY MTG. (INSIDE)
4	12007-022	2	BLOCK, BEARING MTG, 5/8
5	12007-020	1	BLOCK, ADJ PULLEY MTG, RH
6	12007-019	1	BLOCK, ADJ PULLEY MTG, LH
7	12007-023	2	BLOCK, ADJ PULLEY MTG.
8	12008-016	2	GUIDE, SHAFT SUPPORT
9	12007-025	1	BLOCK, SHAFT CLAMP
10	12004-021	4	SHAFT, ADJ PULLEY GUIDE
11	12004-024	2	SHAFT, IDLER, 1/2"
12	12006-015	2	PULLEY, IDLER, 2" D X 12" W
13	12011-028	1	PLATE, TOP EXTENSION
14	12007-021	2	BLOCK, REAR SIDE GUIDE MTG.
15	12005-022	1	GUIDE, REAR SIDE, RH 90 DEG. <b>(LEFT TO RIGHT)</b>
15	12005-024	1	GUIDE, REAR SIDE, LH 90 DEG. <b>(RIGHT TO LEFT)</b>
16	12008-017	2	RACK, 11.5" LONG (16D.P. 14.5 DEG. P.A.)
17	12015-001	1	KNOB, ALUM, 5/8 BORE
18	99004-019	1	RACHET, MALE, 10-24 X 3/4
19	99003-006	2	BEARING, 5/8 X 1-3/8, SEALED W/ S.R.
20	99017-029	2	COLLAR, SPLIT, 5/8
21	99003-007	4	BEARING, 1/2 X 1-1/8, SEALED W/ S.R.
22	99003-018	4	WASHER, NYLON, 1/2 X 1/16
23	99021-006	1	PUR GEAR, 20T, 16 D.P., 14.5 DEG P.A.
24	99003-031	8	BUSHING, SLEEVE, 1/2 X 5/8 X 1/2
25	12004-023	1	SHAFT, CRANK, ADJ. PULLEY
26	99003-021	2	WASHER, NYLON, 5/18 X 1/16

*FIG. 3*



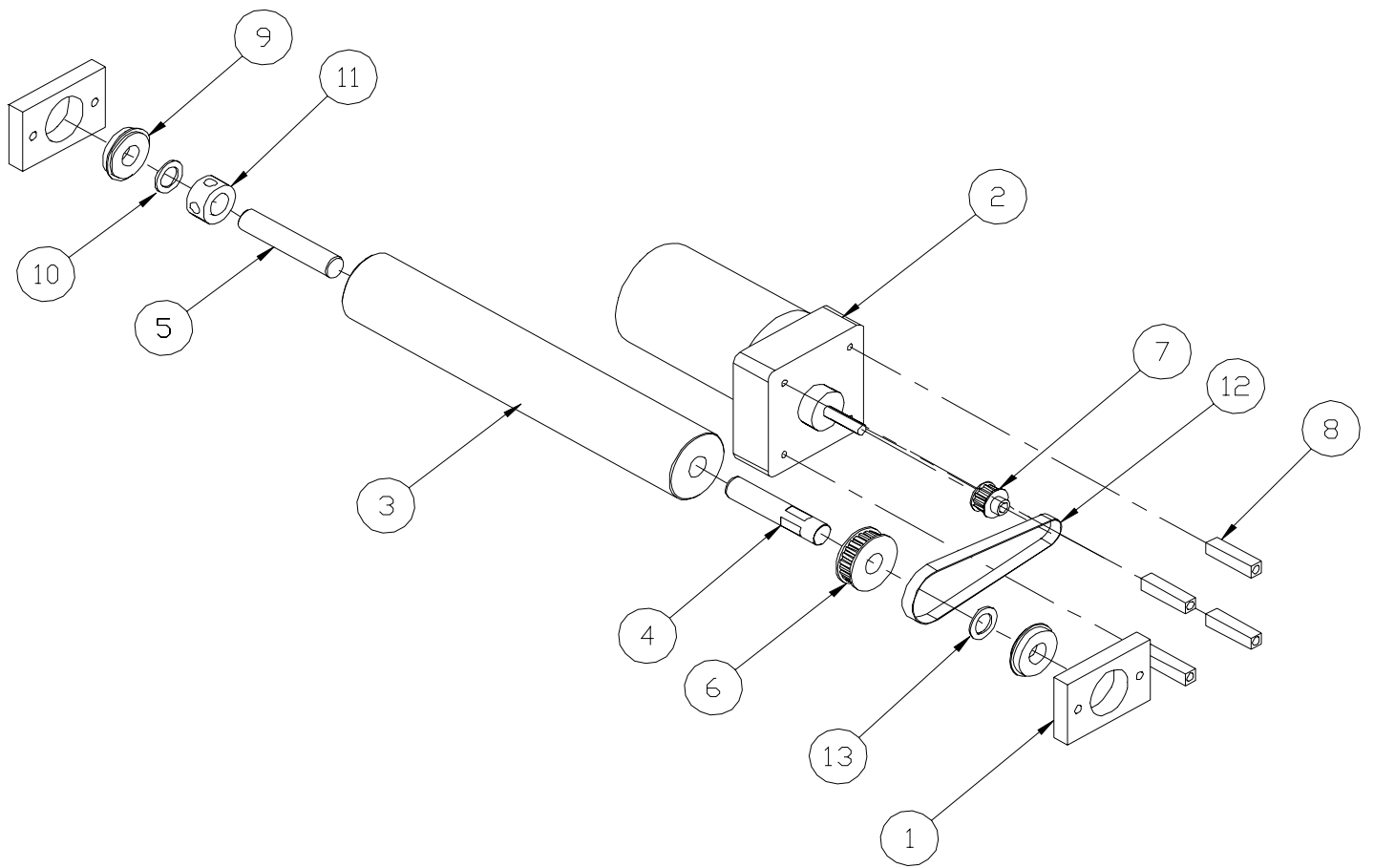


**FEEDMAX CONVEYOR (Fig. 4)  
DRIVE ASSEMBLY**

ITEM	PART NO.	QTY.	DESCRIPTION
------	----------	------	-------------

1	12007-022	2	BLOCK, BEARING, 5/8
2	99001-009	1	MOTOR, 32 RPM
3	12006-016	1	PULLEY, DRIVE, 2"D X 12" W
4	12004-022	1	SHAFT, STUB IDLER W/ FLATS
5	12004-025	1	SHAFT, STUB IDLER
6	99002-072	1	PULLEY, TIMING, 24XL037, 5/8 BORE
7	99002-008	1	PULLEY, MOTOR, 12XLO37
8	12012-001	4	STANDOFF, MOTOR
9	99003-006	2	BEARING, 5/8 X 1-3/8, SEALED W/ S.R.
10	99003-021	1	WASHER, NYLON, 5/8 X 1/16
11	99017-029	1	COLLAR, SPLIT, 5/8
12	99000-003	1	BELT, TIMING, 120XL037
13	99036-008	1	SHIM, 5/8 X 1 X .006

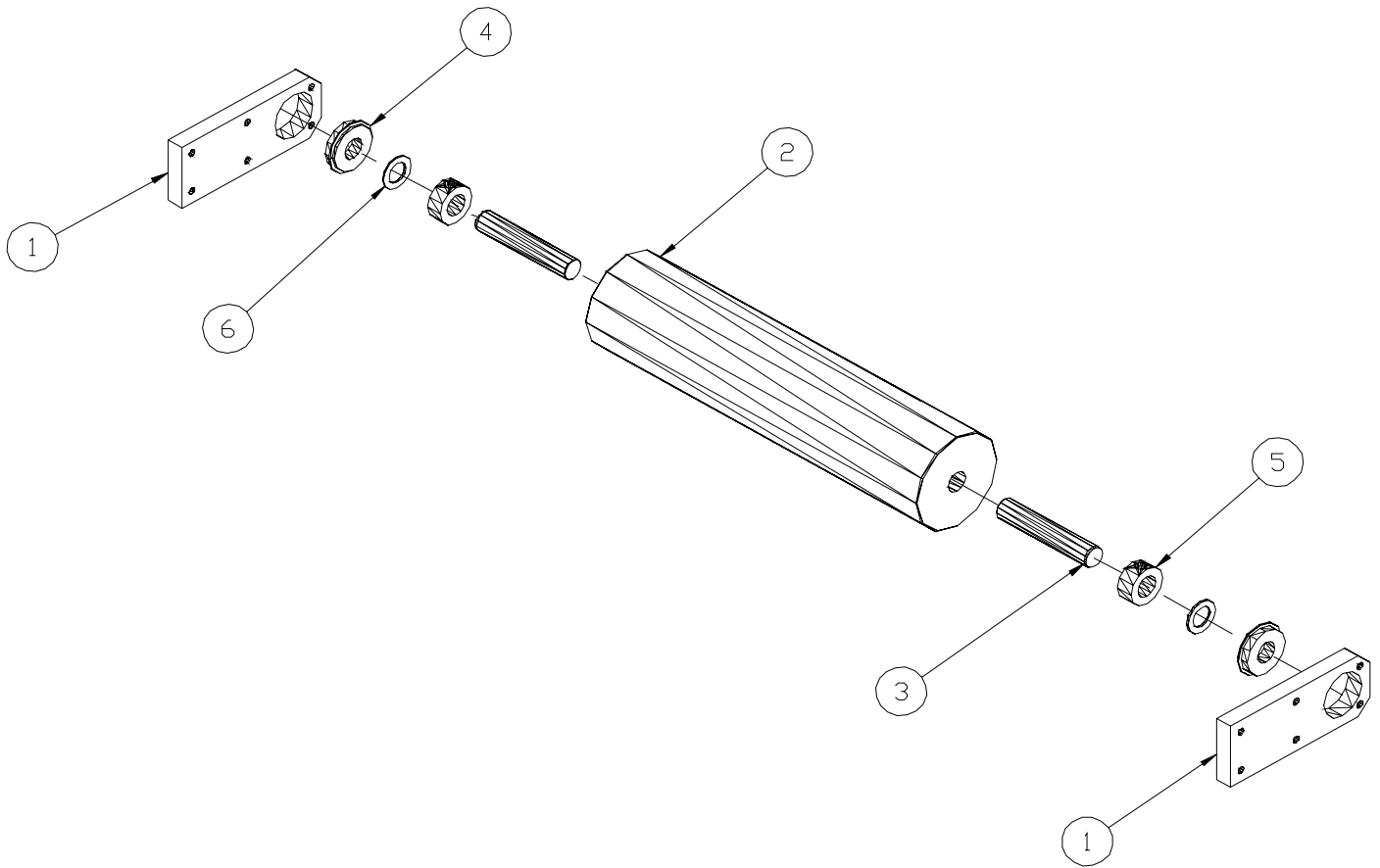
*FIG. 4*



**FEEDMAX CONVEYOR (Fig. 5)**  
**IDLER ASSEMBLY**

<b>ITEM</b>	<b>PART NO.</b>	<b>QTY.</b>	<b>DESCRIPTION</b>
1	12007-001	2	BLOCK, BEARING, 5/8
2	12006-017	1	PULLEY, IDLER, 3" D X 12" W
3	12004-025	2	SHAFT, STUB IDLER
4	99003-006	2	BEARING, 5/8 X 1-3/8 SEALED W/ S.R.
5	99017-029	2	COLLAR, SPLIT, 5/8
6	99003-021	2	WASHER, NYLON, 5/8 X 1/16

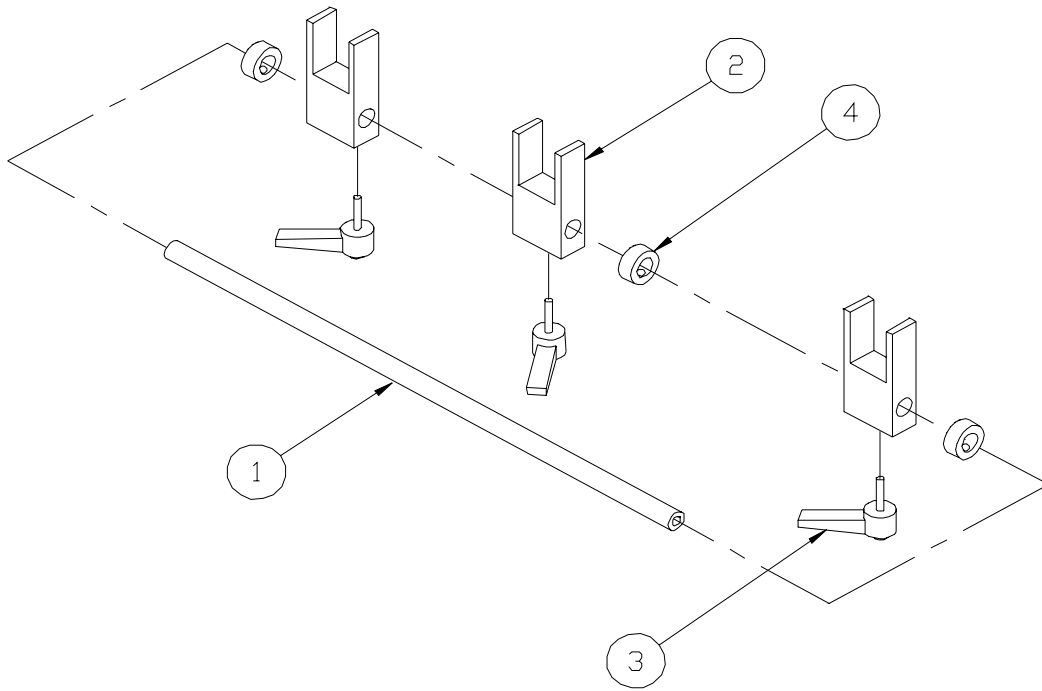
FIG. 5



**FEEDMAX CONVEYOR (Fig. 6)**  
**BELT GUIDE ASSEMBLY**

<b>ITEM</b>	<b>PART NO.</b>	<b>QTY.</b>	<b>DESCRIPTION</b>
1	12004-005	1	SHAFT, BELT GUIDE MTG.
2	12005-004	3	BELT GUIDE, 1"
3	99004-003	3	HANDLE, RATCHET, 10-24 X 1/2
4	99017-028	3	COLLAR, SPLIT, 1/2

FIG. 6

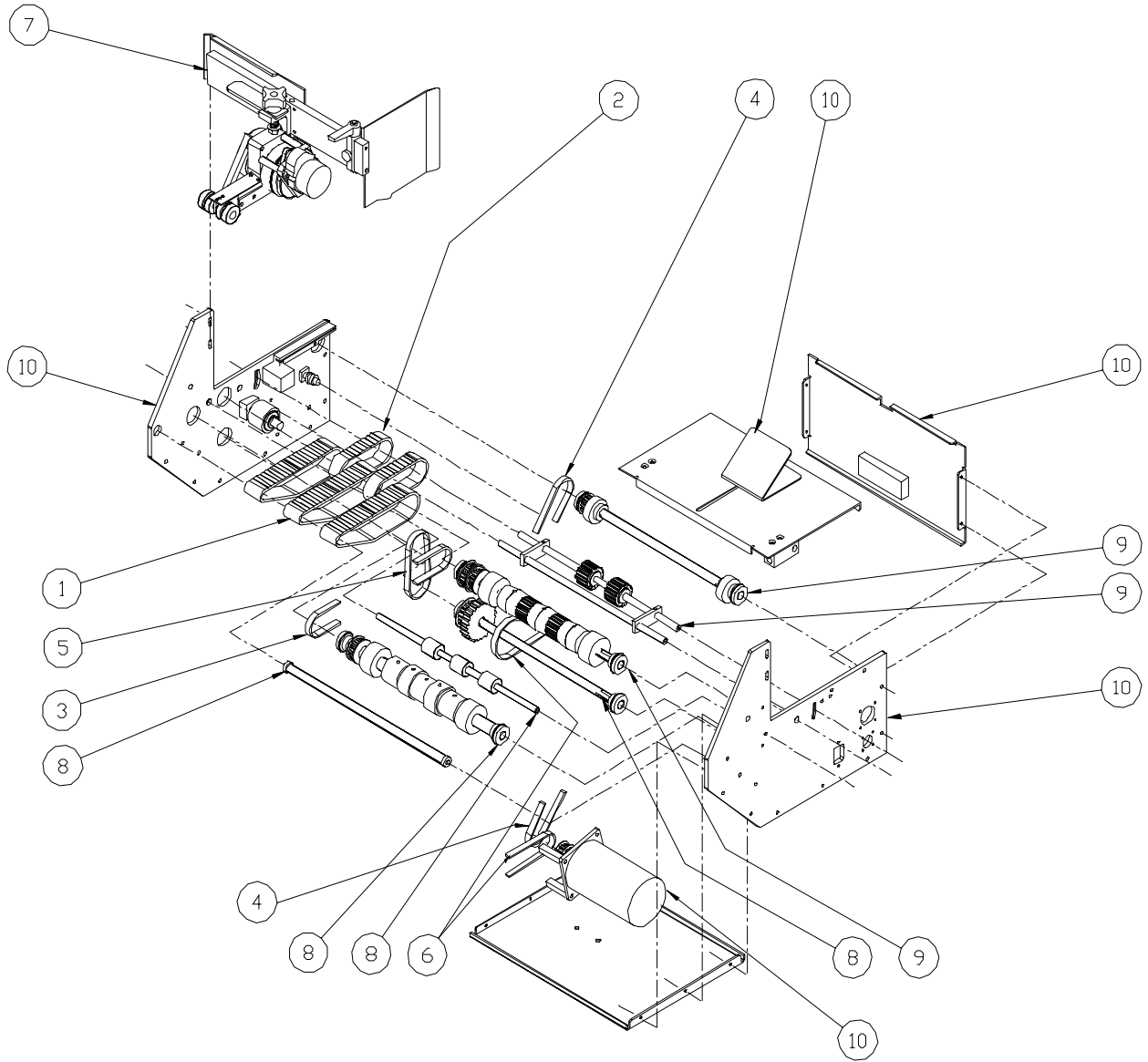


## **FEEDMAX FEEDER ASSEMBLY (Fig. 7)**

<b>ITEM</b>	<b>PART NO.</b>	<b>QTY.</b>	<b>DESCRIPTION</b>
1	99000-133	3	BELT, RED GUM, GROOVED
2	99000-134	2	BELT, TIMING, ELEVATOR, GROOVED
3	99000-001	1	BELT, TIMING, 90XL037
4	99000-002	1	BELT, TIMING, 110XL037
5	99000-041	1	BELT, TIMING, 100XL037
6	99000-027	1	BELT, TIMING, 160XL037
7	SEE FIG. 8		SEPERATOR ASSY
8	SEE FIG. 9		SHAFT ASSEMBLIES
9	SEE FIG. 10		SHAFT ASSEMBLIES
10	SEE FIG. 11		CHASSIS ASSEMBLIES
11	SEE FIG. 13		ELECTRICAL ASSEMBLY, FEEDER (NOT SHOWN)



FIG. 7



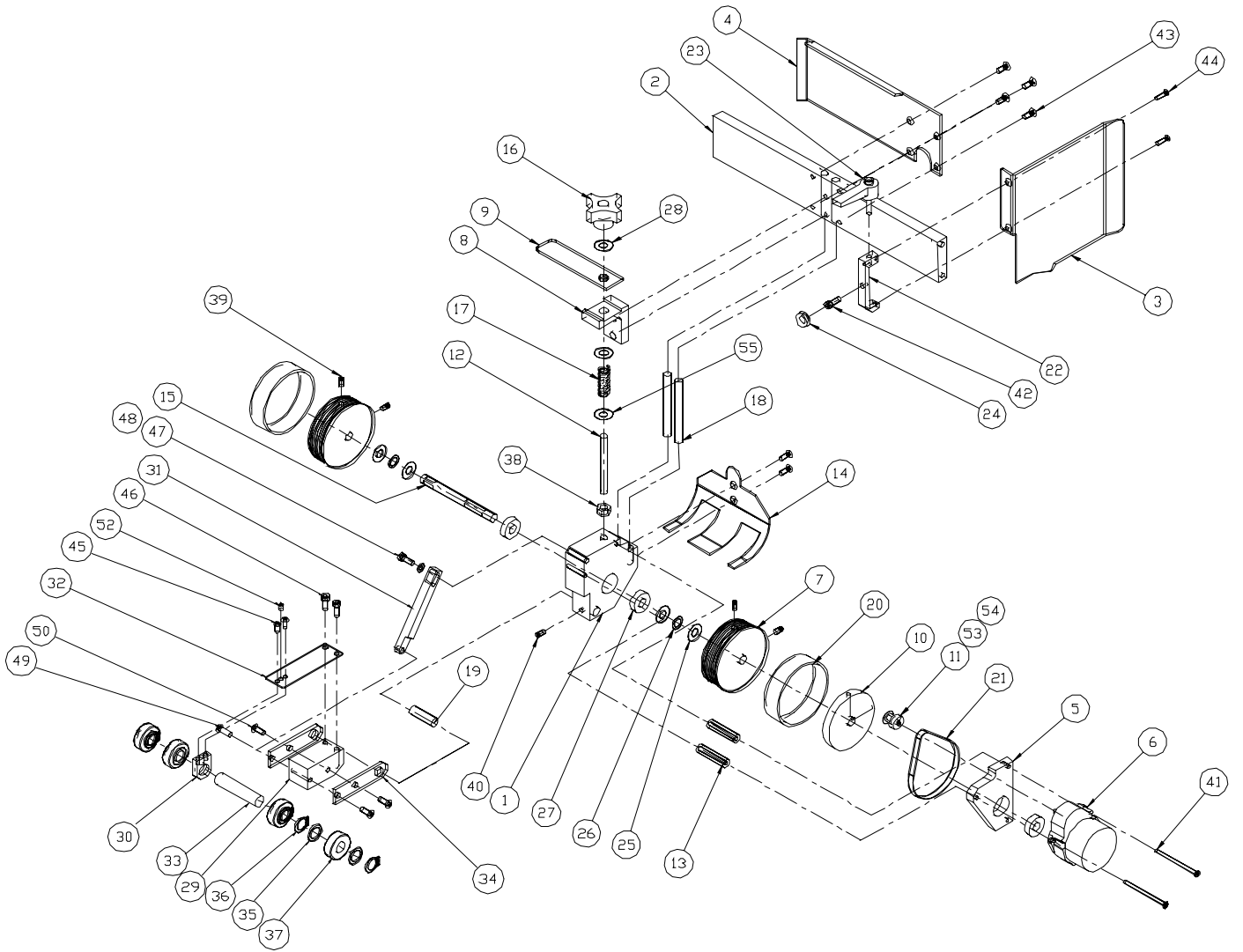
**FEEDMAX FEEDER (Fig. 8)  
SEPERATOR ASSEMBLY**

ITEM	PART NO.	QTY.	DESCRIPTION
1	10007-001	1	BLOCK, SEPERATOR, 3" ROLLER
2	10003-002	1	CROSS BAR, 1200 IJ
3	10005-087	1	SIDE GUIDE, LH, LONG
3	10005-086	1	SIDE GUIDE, RH LONG (OPTION)
3	10005-101	1	SIDE GUIDE, LH SHORT (OPTION)
3	10005-102	1	SIDE GUIDE, RH SHORT (OPTION)
4	10005-085	1	GUIDE, FRONT, RH, 90 DEG
5	10011-001	1	PLATE, SEPERATOR MOTOR MTG.
6	99001-001	1	MOTOR, SEPERATOR
7	10006-001	2	WHEEL, SEPERATOR, 3"
8	10007-010	1	BLOCK, SEPERATOR ADJ.
9	10008-024	1	BAR, SEPERATOR RELEASE
10	99002-001	1	PULLEY, 100MXL025, NO HUB, 3/8 BORE
11	99002-002	1	PULLEY, 16MXL025, 3/16 BORE
12	10004-028	1	STUD, SEPERATOR ADJUSTING
13	10012-002	2	STANDOFF, SEPERATOR MOTOR
14	10005-003	1	SHROUD, SEPERATOR
15	10004-001	1	SHAFT, SEPERATOR
16	99004-001	1	KNOB, 5/16-24 FEMALE
17	10019-045	1	SPRING, COMPRESSION
18	99006-002	2	PIN, DOWELL, 5/16 X 3
19	99006-001	1	PIN, DOWEL, 3/8 X 1-1/4
20	10014-001	2	BELT, SEPERATOR, 3"
21	99000-006	1	BELT, TIMING, 115MXL025
22	10009-002	1	BRACKET, SIDE GUIDE MTG.
23	99004-003	2	HANDLE, RACHET, 10-24
24		2	SCREW, SKT HD, #10-24 X 5/8
25	99003-017	5	WASHER, NYLON, 3/8 X 1/16
26	99003-016	2	WASHER, NYLON, 3/8 X 1/32
27	99003-001	3	BEARING, SELAED, 3/8 X 7/8
28	99003-015	1	WASHER, NYLON, 5/16 X 1/16

**FEEDMAX FEEDER (Fig. 8)  
SEPERATOR ASSEMBLY**

<b>ITEM</b>	<b>PART NO.</b>	<b>QTY.</b>	<b>DESCRIPTION</b>
29	10007-083	1	BLOCK, TONGUE SUPPORT
30	10007-084	1	BLOCK, NIP ROLLER MTG.
31	10008-072	1	BAR, TONGUE SUPPORT
32	10009-045	1	BRACKET, NIP ROLLER SUPPORT
33	10004-134	1	SHAFT, NIP ROLLER
34	10011-037	2	PLATE, TONGUE SUPPORT
35	99003-032	8	WASHER, NYLON, 1/2 X 1/32
36	99022-004	6	SNAP RING, 1/2
37	99003-108	4	BEARING, SHIELDED, 1/2 X 1-1/8
38		1	NUT, HEX HEAD, 5/16-24
39		4	SET SCREW, CUP, 10-32 X 3/8
40		1	SET SCREW, 8-32 X 1/8
41		2	SCREW, SKT HEAD, 6-32 X 2-1/2
42		1	SCREW, SKT HD, 10-24 X 3/8
43		4	SCREW, FLAT HEAD, 8-32 X 1/2
44		2	SCREW, FLAT HEAD, 6-32 X 5/16
45		2	SCREW, SKT HD, 8-32 X 3/8
46		2	SCREW, SKT HD, 10-24 X 5/8
47		1	SCREW, SKT HD, 10-32 X 3/4
48		1	LOCKWASHER, #10
49		1	SCREW, BUTTON HD, 10-24 X 3/4
50		3	SCREW, BUTTON HD, 10-24 X 1/2
51		1	FLAT WASHER, #8
52		1	SET SCREW, FLAT, 8-32 X 1/4
53		1	SET SCREW, CUP, 6-32 X 3/16
54		1	SET SCREW, FLAT, 6-32 X 3/16
55		1	WASHER, FLAT, 5/16

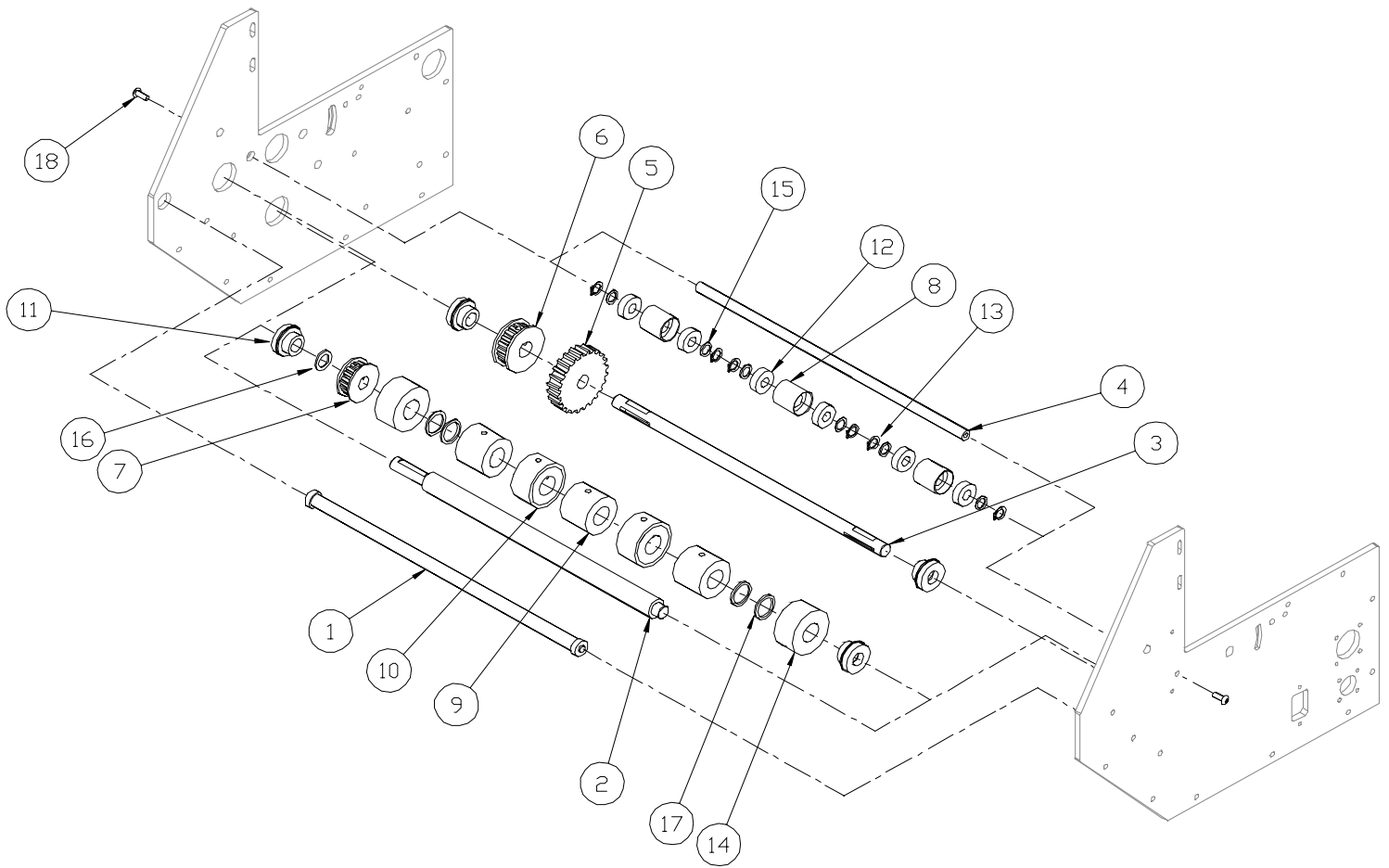
FIG. 8



**FEEDMAX FEEDER (Fig. 9)  
SHAFT ASSEMBLIES**

<b>ITEM</b>	<b>PART NO.</b>	<b>QTY.</b>	<b>DESCRIPTION</b>
1	10020-017	1	ASSY, FRONT SHAFT
2	10004-127	1	SHAFT, NIP ROLLER (W/SHUTTLE)
3	10004-113	1	SHAFT, CAM
4	10004-023	1	SHAFT, IDLER
5	10006-066	1	PULLEY, TIMING, 36XL037
6	99002-031	1	PULLEY, TIMING, 24XL037
7	99002-054	1	PULLEY, TIMING, 20XL037
8	10006-012	3	ROLLER, IDLER
9	10006-071	3	PULLEY, MATE, 3/4 BORE
10	10006-070	2	ROLLER, NIP, 3/4 BORE
11	99003-093	4	BEARING, 1/2 X 1-1/8, SEALED W/ COLLAR
12	99003-001	6	BEARING, 3/8 X 7/8
13	99022-003	6	SNAP RING, 3/8
14	10006-069	2	ROLLER, FEEDER, 3/4 BORE
15	99003-016	6	WASHER, NYLON, 3/8 X 1/32
16	99003-018	5	WASHER, NYLON, 1/2 X 1/16
17	99003-082	4	WASHER, NYLON, 3/4 X 1/16
18		2	SCREW, BUTTON HEAD, 10-24 X 1/2

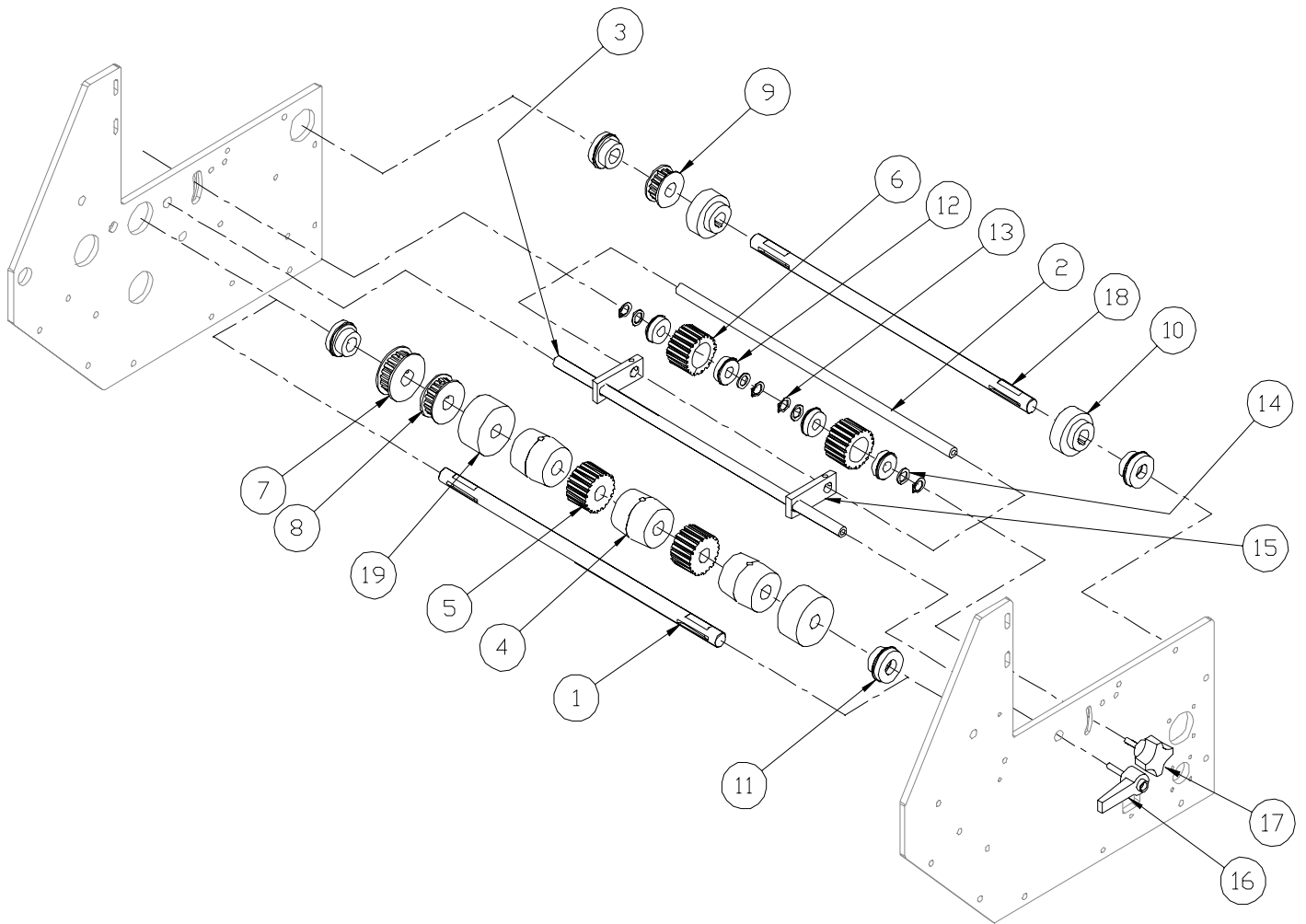
FIG. 9



**FEEDMAX FEEDER (Fig. 10)**  
**SHAFT ASSEMBLIES**

<b>ITEM</b>	<b>PART NO.</b>	<b>QTY.</b>	<b>DESCRIPTION</b>
1	10004-021	1	SHAFT, MAIN
2	10004-023	1	SHAFT, IDLER
3	10004-114	1	SHAFT, ELEVATOR ADJ.
4	10006-018	3	PULLEY, CROWNED
5	10006-021	2	PULLEY, DRIVE, 22XL875
6	10006-022	2	PULLEY, IDLE, 24XL875
7	99002-074	1	PULLEY, TIMING, 22XL037, 1/2 BORE (NO HUB)
8	99002-054	1	PULLEY, TIMING, 20XL037
9	99002-026	1	PULLEY, TIMING, 18XL037
10	10006-048	2	CAM
11	99003-093	4	BEARING, 1/2 X 1-1/8, SEALED W/ COLLAR
12	99003-001	4	BEARING, 3/8 X 7/8, SHIELDED
13	99022-003	4	SNAP RING, 3/8
14	99003-017	4	WASHER, NYLON, 3/8 X 1/16
15	10007-068	2	BLOCK, ELEVATOR BELT ADJ.
16	99004-003	1	HANDLE, RACHET, 10-24
17	99004-019	1	KNOB, 10-24 X 3/4, MALE
18	10004-113	1	SHAFT, CAM
19	10006-007	2	ROLLER, FEEDER

FIG. 10





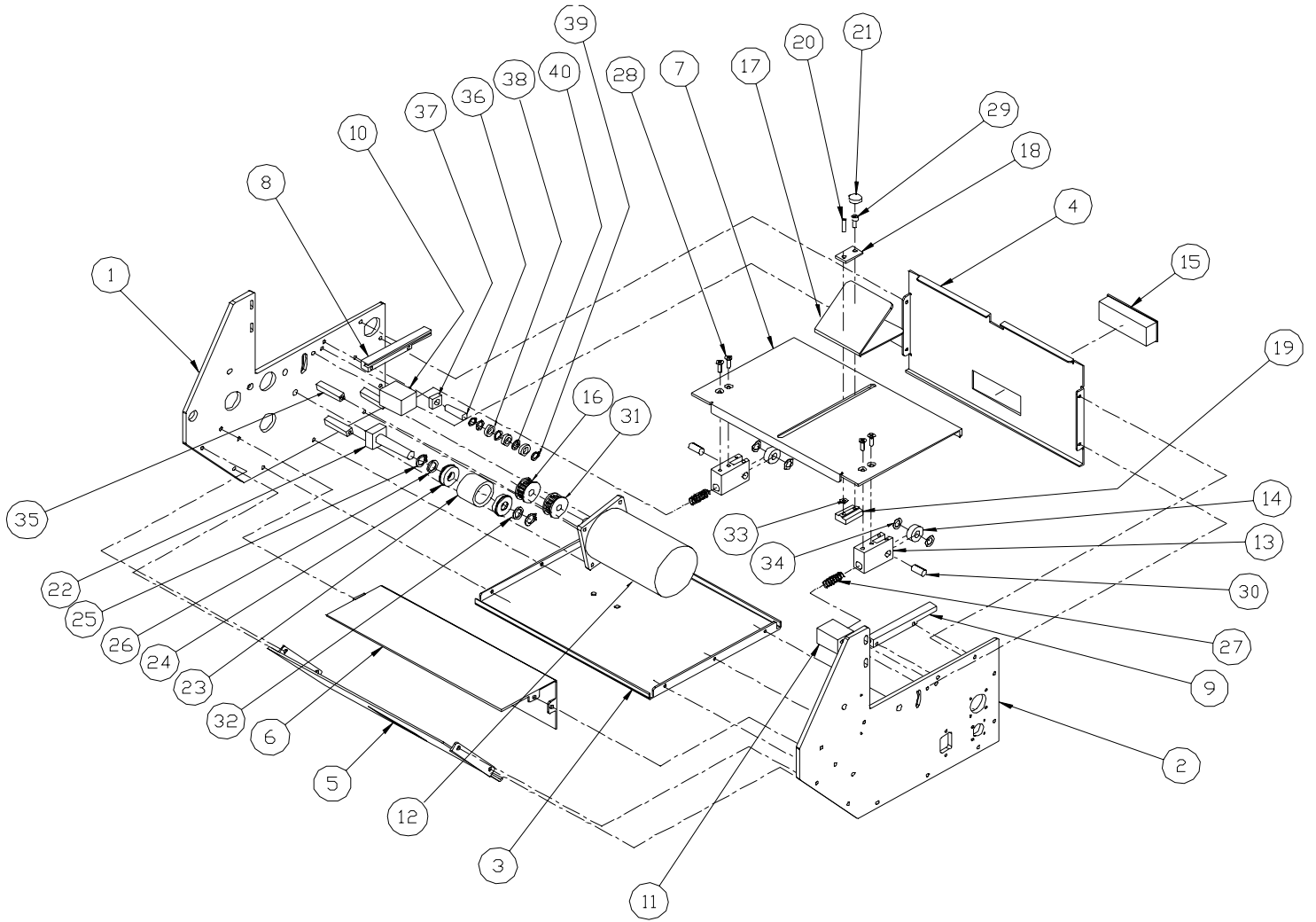
**FEEDMAX FEEDER (Fig. 11)  
CHASIS ASSEMBLY**

ITEM	PART NO.	QTY.	DESCRIPTION
1	10000-044	1	SIDE FRAME, RH, FEEDMAX
2	10000-050	1	SIDE FRAME, LH, FEEDMAX (IJ SERIES)
3	10002-010	1	COVER, BOTTOM
4	10001-030	1	COVER, REAR
5	10001-029	1	COVER, FRONT
6	10001-031	1	COVER, ELECTRONICS
7	10011-021	1	COVER, TOP PLATE (VIBRATING)
8	10007-052	1	BLOCK, CHANNEL, RH
9	10007-051	1	BLOCK, CHANNEL, LH
10	10007-054	1	BLOCK, CAM SPRING ANCHOR, RH
11	10007-053	1	BLOCK, CAM SPRING ANCHOR, LH
12	99001-032	1	MOTOR, 90 VDC, 1800 RPM
13	10007-055	2	BLOCK, CAM FOLLOWER MTG.
14	99003-001	2	BEARING, 3/8 X 7/8
15	99012-006	2	HANDLE, POCKET PULL
16	99002-048	1	PULLEY, TIMING, 16XL037, 3/8 BORE
17	10005-088	1	GUIDE, REAR WEDGE, 3-1/4" W
17	10005-103	1	GUIDE, REAR WEDGE, EXTENDED (OPTION)
17	10005-104	1	GUIDE, REAR WEDGE, 5-1/2" W (OPTION)
17	10005-089	1	GUIDE, REAR WEDGE, 1-1/4" W (OPTION)
18	10007-004	1	WASHER, PAPER SLIDE
19	10007-003	1	NUT, PLATE SLIDE
20	99006-020	1	ROLL PIN, 5/32 X 5/8
21	99004-002	1	KNOB, #10 SCREW
22	18004-022	1	SHAFT, ECCENTRIC, .5 DIAM X 2.00" LONG
23	18006-012	1	PULLEY, FLAT IDLER
24	99003-083	2	BEARING, 1/2 X 1-1/8
25	99022-004	2	SNAP RING, 1/2
26	99002-018	1	WASHER, NYLON, 1/2 X 1/16
27	99005-006	2	SPRING, COMPRESSION
28		4	SCREW, FLAT HEAD, 10-24 X 1/2
29		1	SCREW, SKT HEAD, 10-14 X 3/4

**FEEDMAX FEEDER (Fig. 11)**  
**CHASIS ASSEMBLY**

<b>ITEM</b>	<b>PART NO.</b>	<b>QTY.</b>	<b>DESCRIPTION</b>
30	10004-115	2	SHAFT, ROLLER
31	99002-067	1	PULLEY, TIMING, 15XL037, 1/2 B
32	99003-032	2	WASHER, NYLON, 1/2 X 1/32
33		1	WASHER, FLAT, #6
34	99036-027	4	SHIM, 3/8 X 5/8 X .012
35	10012-029	3	STANDOFF, MOTOR
36	21004-002	1	SHAFT, 3/8 ECCENTRIC IDLER
37	10007-011	1	BLOCK, IDLER SUPPORT
38	99003-079	3	BEARING, 3/8 X 5/8 X 5/32
39	99022-003	2	SNAP RING, 3/8
40	99003-016	4	WASHER, NYLON, 3/8 X 1/32

FIG. 11



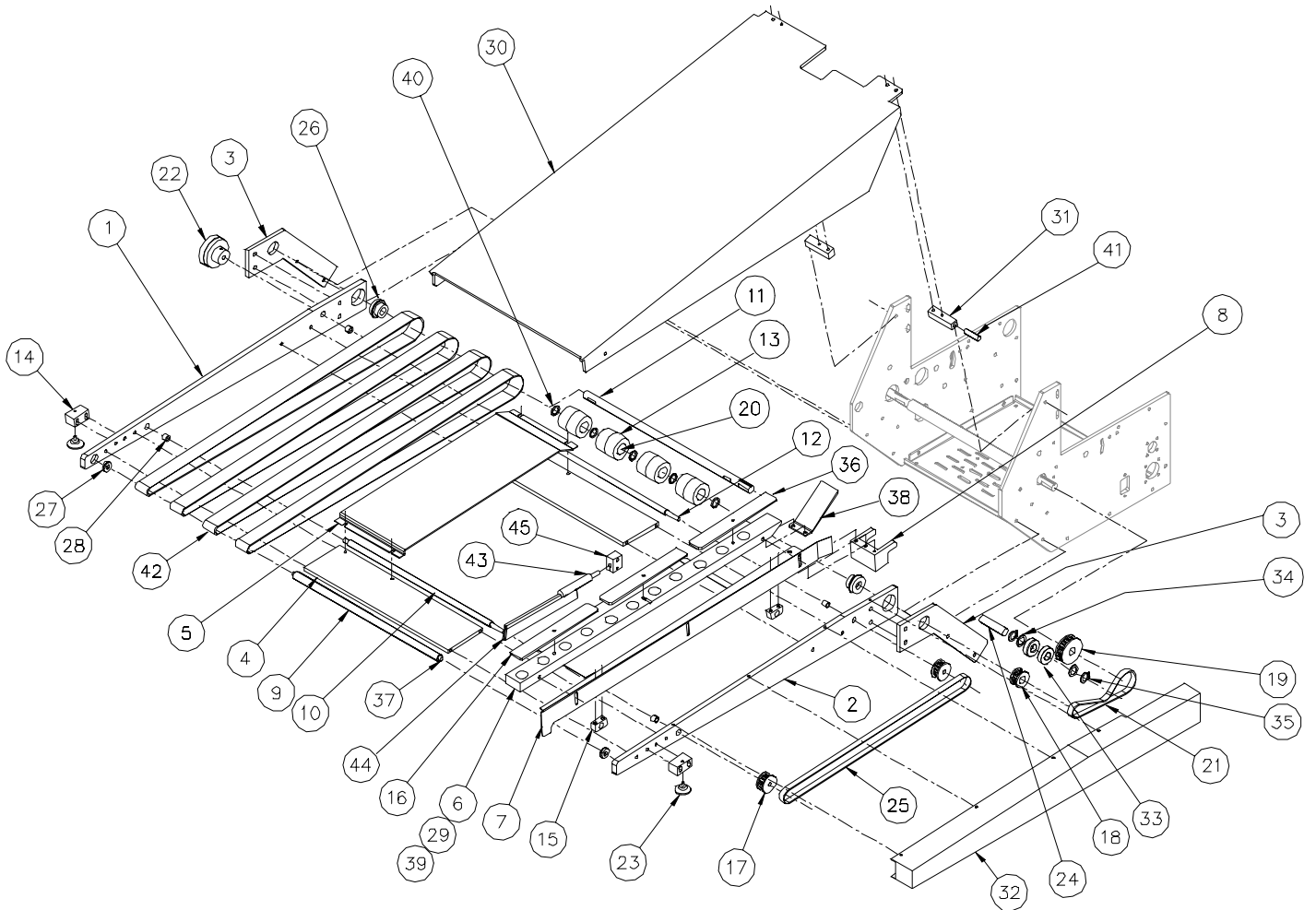
**FEEDMAX FEEDER (Fig. 12)  
SHUTTLE ASSEMBLY**

<b>ITEM</b>	<b>PART NO.</b>	<b>QTY.</b>	<b>DESCRIPTION</b>
1	10000-051	1	SIDEFRAAME, EXTENSION CONVEYOR, RH
2	10000-052	1	SIDEFRAAME, EXTENSION CONVEYOR, LH
3	10009-042	2	BRACKET, EXTENSION CONVEYOR MTG.
4	10008-062	2	BAR, SUPPORT
5	10002-016	1	DECK PLATE
6	10007-081	1	BLOCK, BALL RACK
7	10005-118	1	SIDE GUIDE, WELDMENT
8	10007-082	1	BLOCK, PULLEY, ADJ.
9	10004-130	1	SHAFT, FRONT
10	10004-129	1	SHAFT, GUIDE ADJ, SECONDARY
11	10004-126	1	SHAFT, DRIVE
12	10004-128	1	SHAFT, SIDE GUIDE ADJ.
13	10006-073	4	PULLEY, CROWNED
14	10009-041	2	BRACKET, CONVEYOR ADJ.
15	10007-080	2	BLOCK, SIDE GUIDE ADJ.
16	10013-013	2	COVER, BALL RACK
17	99002-080	2	PULLEY, TIMING, 15XL037, 1/4 BORE
18	99002-028	1	PULLEY, TIMING, 14XL037, 1/2 BORE
19	99002-006	1	PULLEY, TIMING, 24XL037, 1/2 BORE
20	99003-057	8	BEARING, ONE-WAY, 1/2
21	99000-165	1	BELT, TIMING, 126XL037
22	21019-003	1	KNOB, ADJ, 1/4 BORE
23	99007-001	2	FOOT, SUCTION CUP
24	18004-031	1	SHAFT, TENSIONER
25	99000-143	1	BELT, TIMING, 330XL037
26	99003-093	2	BEARING, 1/2 X 1-1/8 SEALED W/ COLLAR
27	99003-002	2	BEARING, SEALED, 1/4 X 5/8
28	99003-005	4	BUSHING, 1/4 X 3/8 X 5/16
29	99037-003	11	BALL, CHROME, 1"
30	10013-015	1	COVER, SHUTTLE
31	10008-073	2	BAR, COVER MTG.

**FEEDMAX FEEDER (Fig. 12)  
SHUTTLE ASSEMBLY**

<b>ITEM</b>	<b>PART NO.</b>	<b>QTY.</b>	<b>DESCRIPTION</b>
32	10013-012	1	COVER, BELT
33	99003-046	2	BEARING, 1/2 X 7/8
34	99003-032	2	WASHER, NYLON, 1/2 X 1/32
35	99022-004	2	SNAP RING, 1/2
36	10013-020	1	COVER, BALL RACK, FRONT
37	99006-028	2	DOWEL PIN, 1/4 X 5/8
38	10005-117	1	GUIDE, ENTRANCE
39	10006-081	11	STEEL SLEEVE, 1"
40	99039-085	8	OIL SEAL, 1/2
41	99006-024	2	PIN, STUD, 5/16-24 X 1-1/8
42	99000-139	4	BELT, ENDLESS, 1" X 47"
43	18009-023	2	BRACKET, CLAMP BRUSH
44	99023-001	2	BRUSH
45	10007-096	2	BLOCK, BRUSH MTG.

FIG. 12



**ELECTRICAL - FEEDMAX CONVEYOR (Fig. 13)**

ITEM	PART NO.	QTY.	DESCRIPTION
	<b>12021-006</b>	<b>1</b>	<b>CONVEYOR CONTROL BOX ASSY</b>
1	12013-015	1	ENCLOSURE, ELCTRICAL CONTROL
2	12013-017	1	COVER, CONTROL ENCLOSURE
3	98004-010	1	HOLDER, FUSE W/
	98004-018	1	FUSE, 3 AMP, 250V, 5X20MM
4	98003-001	1	RECEPTICAL, POWER CORD
5	98016-093	1	RECEPTICAL, SQ FL, AMP, 17-9 FEMALE
6	98016-011	1	RECEPTICAL, SQ FL, AMP, 11-4 FEMALE
7	98016-002	1	RECEPTICAL, SQ FL, AMP, 17-3 FEMALE
8	98005-001	1	MOTOR CONTROLLER, 90V DC W/ SPEED POT
9	98015-021	1	FINISHING, PLUG, 3/4 HOLE, BLACK PLASTIC
10	98008-001	1	TRANSFORMER
11	98001-002	1	TERMINAL STRIP, 12 POSITION
12	98023-005	1	I/O BOARD, FEEDMAX
	<b>12021-007</b>	<b>1</b>	<b>CONTROL CONSOLE ASSY</b>
13	10013-016	1	ENCLOSURE, CONTROL CONSOLE
14	99004-015	2	KNOB, SPEED POT
15	98016-011	1	RECEPTICAL, SQ FL, AMP, 11-4 FEMALE
16	98000-001	2	POWER SWITCH, RED ROCKER (LARGE)
17	98000-033	1	ROCKER SWITCH, RED (SMALL)
18	98016-092	1	PLUG, AMP, 17-14 MALE
19	98006-007	1	POT KIT, 5K
20	98006-037	1	SPEED POT, 1 MG
21	98004-042	1	CIRCUIT BREAKER, 5 AMP
	<b>12021-013</b>	<b>1</b>	<b>FEEDMAX INTERRUPT ASSY</b>
22	10013-018	1	ENCLOSURE, REMOTE E-STOP
23	10013-019	1	COVER, REMOTE E-STOP ENCLOSURE
24	98016-029	1	PLUG, AMP, 11-4 MALE W/
	98016-015	1	BACKSHELL, PLASTIC, SIZE 11
25	99039-009	2	MAGNET
26	98000-051	1	PUSH BUTTON, BLACK, INTERUPT
27	99039-009	4 in	ANTI-SKID TAPE BLACK (NOT SHOWN)

## ELECTRICAL - FEEDMAX CONVEYOR (Fig. 13)

ITEM	PART NO.	QTY.	DESCRIPTION
28	10018-056	1	BYPASS PLUG ASSY
	<b>12021-023</b>	<b>1</b>	<b>CONVEYOR AN7 ASSY</b>
29	99028-144	1	CONNECTOR, 1/2 NPT, MALE
30	99028-145	1	NOZZLE, SENSOR MTG.
31	99031-019	1.5 ft	HOSE SEGMENTS, 1/2"
32	98009-001	1	SENSOR, BANNER AN7
33	98016-029	1	PLUG, AMP, 11-4 MALE
33	98016-015	1	BACKSHELL, PLASTIC, SIZE 11
	<b>12021-025</b>	<b>1</b>	<b>CONVEYOR CONTROL CABLE ASSY</b>
34	98016-094	2	PLUG, AMP, 17-9 MALE W/
	98016-005	2	BACKSHELL, PLASTIC, SIZE 17
35	98016-091	1	RECEPTICAL, SQ FL, AMP, 17-14 FEMALE
36	98010-011	5 ft	CABLE, 18/3 ALPHA 1898C, RED (NOT SHOWN)
37	98010-126	4 ft	CABLE, 12 CONDUCTOR, 18GA (NOT SHOWN)
	<b>12021-026</b>	<b>1</b>	<b>SECONDARY FEEDER CABLE ASSY</b>
38	98016-010	1	RECEPTICAL, SQ FL, AMP, 17-16 MALE
39	98016-012	1	PLUG, AMP, 17-16 FEMALE
	98016-005	2	BACKSHELL, PLASTIC, SIZE 17
40	98010-126	3 ft	CABLE, 12 CONDUCTOR, 18GA (NOT SHOWN)
	<b>12021-027</b>	<b>1</b>	<b>FEEDMAX POWER CABLE</b>
41	98016-073	1	PLUG, HUBBEL, 3PIN, 115V
42	98003-010	1	PLUG, 2 POLE, 3 WIRE, 15A, 125V (NOT SHOWN)
43	98010-010	12 ft	CABLE, 16/3, SJOOW BLACK
	<b>12021-024</b>	<b>1</b>	<b>FEEDMAX FEEDER CABLE POWER</b>
44	98007-001	1	POWER CORD, 90 DEG ANGLED
45	98016-004	1	PLUG, AMP, 17-3 MALE W/
45	98016-005	1	BACKSHELL, PLASTIC, SIZE 17
	<b>12021-008</b>	<b>1</b>	<b>FEEDMAX FEEDER CONTROL BOX</b>
46	12013-016	1	ENCLOSURE, CONTROL
47	12013-026	1	COVER, ENCLOSURE



## **ELECTRICAL - FEEDMAX CONVEYOR (Fig. 13)**

<b>ITEM</b>	<b>PART NO.</b>	<b>QTY.</b>	<b>DESCRIPTION</b>
48	98016-010	1	RECEPTICAL, SQ FL, 17-16 FEMALE
49	98016-093	1	RECEPTICAL, SQ FL, 9 - POS FEMALE
50	98005-007	1	MOTOR CONTROLLER, 90V DC
51	98001-002	1	TERMINAL STRIP, 12 CONN.
52	98002-002	1	SOCKET, RELAY
53	98002-024	1	RELAY, TIME DELAY, 24 VAC
54	<b>98106-074</b>	<b>1</b>	<b>RECEPTICAL, HUBBEL, 3 PIN, 115V</b>
55	<b>98015-001</b>	<b>1</b>	<b>STRAIN RELIEF, 1/2"</b>
56	<b>98015-003</b>	<b>1</b>	<b>LOCKNUT, 1/2</b>



## ELECTRICAL - FEEDMAX FEEDER (Fig. 14)

ITEM	PART NO.	QTY.	DESCRIPTION
1	98003-001	1	RECEPTICAL, POWER CORD
2	98016-011	1	RECEPTICAL, SQ FL, AMP, 11-4 FEMALE
3	98016-091	1	RECEPTICAL, SQ FL, AMP, 17-14 FEMALE
<b>4</b>	<b>12021-021</b>	<b>1</b>	<b>ASSY, MAIN CABLE</b>
	98016-092	1	PLUG, AMP, 17-14 MALE (TO FEEDER)
	98016-012	1	PLUG, AMP, 17-16, FEMALE (TO CONV LEG, ITEM # 38 IN FIG. 13)
	98010-126	1	WIRE, 12 CONDUCTOR, 18GA
	98010-021	1	CABLE, 22/3 C
	98016-008	2	BACKSHELL, PLASTIC, SIZE 17
<b>5</b>	<b>12021-022</b>	<b>1</b>	<b>ASSY, DRY CONTACT CABLE</b>
	98016-029	1	PLUG, AMP, 11-4 MALE (TO FEEDER)
	98016-015	1	BACKSHELL, PLASTIC, SIZE 11
	98010-021	1	CABLE, 22/3 C
	10018-056	1	ASSY, PLUG, BY-PASS
6	98007-001	1	POWER CORD, 90 DEG ANGLED

FIG. 14

